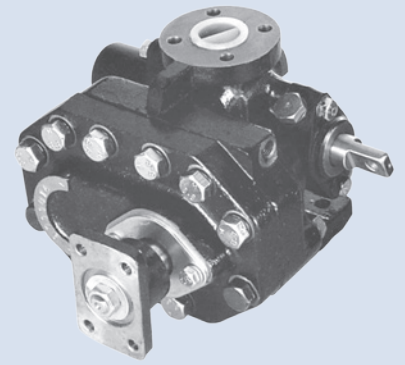
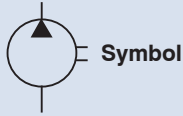


DUMP HOIST PUMP



How to order

KP - 55

- 1 Model
- 2 Displacement cc/rev

Specifications

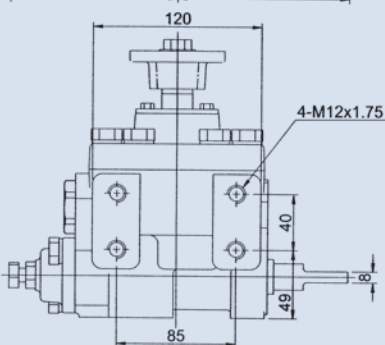
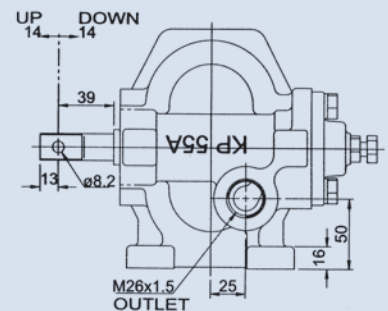
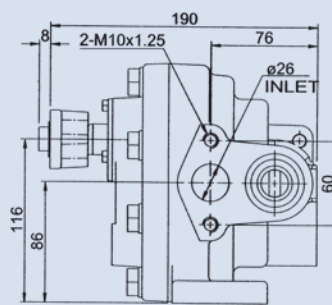
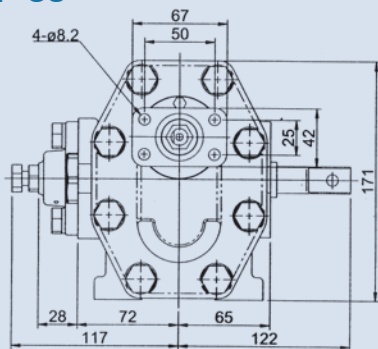
Model	Displacement (cc/rev)	Max. Pressure (bar)	Rated Pressure (bar)	Start-up Pressure of Control Valve (bar)	Running Speed (rpm)		Shaft Diameter (mm)	weight (kg)
					Max.	Min.		
KP-35	34.7	175	45	10	1800	350	22	10
KP-55	54.2			13				13
KP-75	72	210	70	14			25	21
KP-1403	136			15			30	37

Recommend oil: Mobile DTE 26 or equivalent

Dimensions

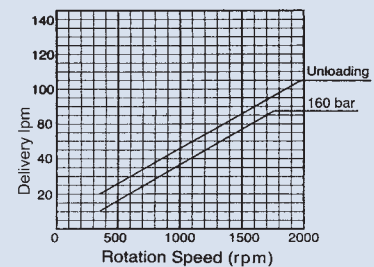
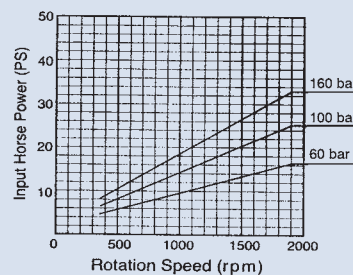
KP-55

Unit:mm



Performance curves

KP-55

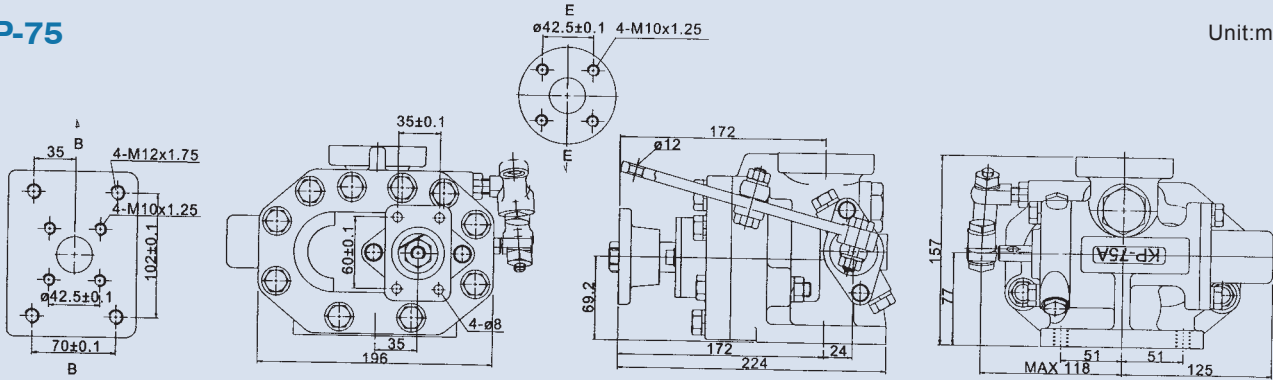


DUMP HOIST PUMP

Dimensions

KP-75

Unit:mm



Performance curves

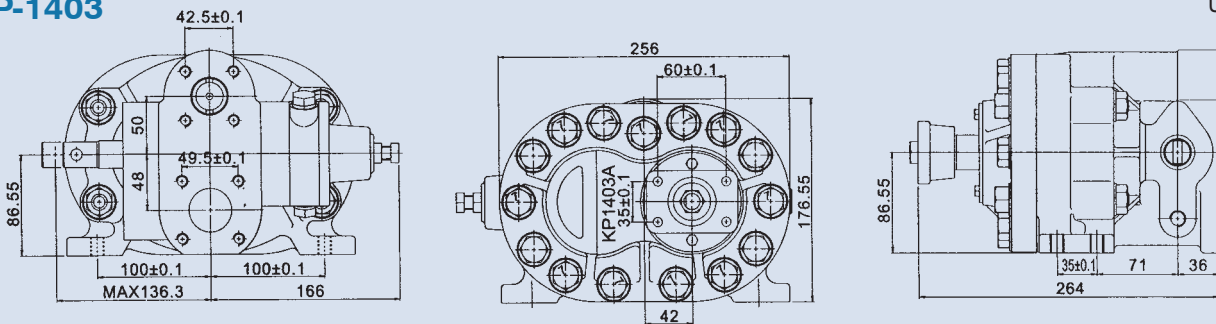
KP-75



Dimensions

KP-1403

Unit:mm



Performance curves

KP-1403

