

Air Filter Regulator + Lubricator

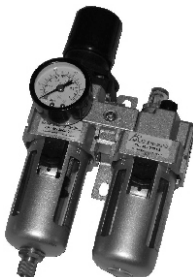
AC1010



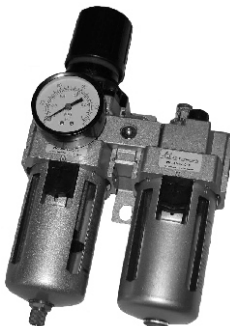
AC2010



AC3010



AC4010



AC5010

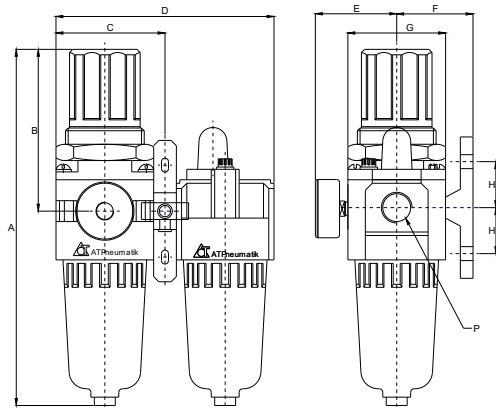


1000 and 2000 Series Air Filter Regulator + Lubricator						
Part Number	AC1010-M5	AC2010-01	AC2010-02	AC1010-M5D	AC2010-01D	AC2010-02D
	Manual Drain			Automatic Drain		
Port Size	M05	G 1/8"	G 1/4"	M05	G 1/8"	G 1/4"
Pressure Gauge Connection	1/16"	G 1/8"	G 1/8"	1/16"	G 1/8"	G 1/8"
Flow Rate (l/min)	90	500	500	90	500	500
Working Pressure	1 Mpa, 10 Kgf/cm ² , 150 psi					
Regulating Pressure	0.05 to 0.85 Mpa					
Working Temperature	5 to 60°C					
Recommended Lubricant	SAE10					
Bowl Material	Polycarbonate					
Filter Element	Bronze 5, 20, 25 μ					
Metal Guard Bowl	Not Available					

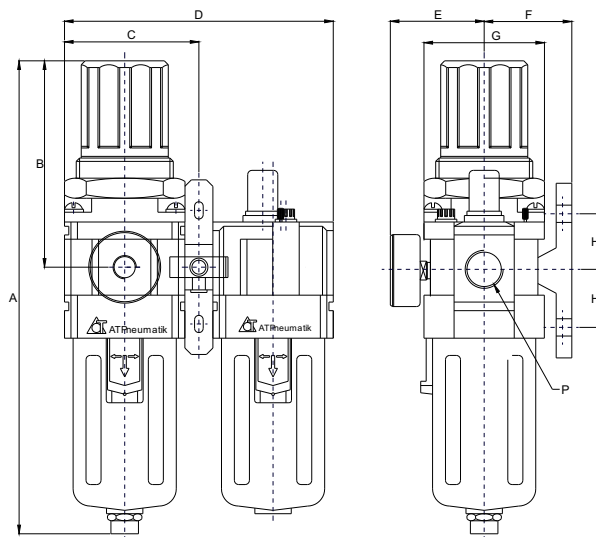
3000 series Air Filter Regulator + Lubricator				
Part Number	AC3010-02	AC3010-03	AC3010-02D	AC3010-03D
	Manual Drain		Automatic Drain	
Port Size	1/4"	3/8"	1/4"	3/8"
Pressure Gauge Connection	1/8"	1/8"	1/8"	1/8"
Flow Rate (l/min)	1700	1700	1700	1700
Working Pressure	1 Mpa, 10 Kgf/cm ² , 150 psi			
Regulating Pressure	0.05 to 0.85 Mpa			
Working Temperature	5 to 60°C			
Recommended Lubricant	SAE10			
Bowl Material	Polycarbonate			
Filter Element	Bronze 5, 20, 25 μ			
Metal Guard Bowl	Available			

4000 Series Air Filter Regulator + Lubricator						
Part Number	AC4010-03	AC4010-04	AC4010-06	AC4010-03D	AC4010-04D	AC4010-06D
	Manual Drain			Automatic Drain		
Port Size	G 3/8"	G 1/2"	G 3/4"	G 3/8"	G 1/2"	G 3/4"
Pressure Gauge Connection	G 1/4"	G 1/4"	G 1/4"	G 1/4"	G 1/4"	G 1/4"
Flow Rate (l/min)	3000	3000	3000	3000	3000	3000
Working Pressure	1 Mpa, 10 Kgf/cm ² , 150 psi					
Regulating Pressure	0.05 to 0.85 Mpa					
Working Temperature	5 to 60°C					
Recommended Lubricant	SAE10					
Bowl Material	Polycarbonate					
Filter Element	Bronze 5, 20, 25 μ					
Metal Guard Bowl	Available					

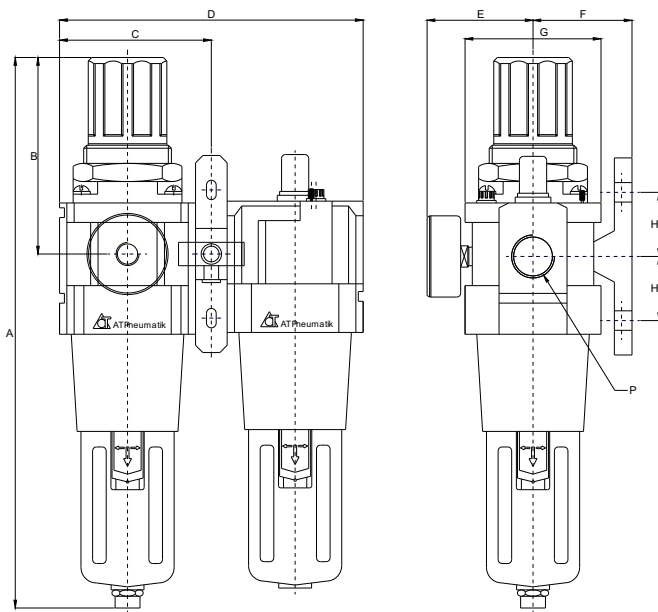
5000 Series Air Filter Regulator + Lubricator				
Part Number	AC5010-06	AC5010-10	AC5010-06D	AC5010-10D
	Manual Drain		Automatic Drain	
Port Size	G 3/4"	G 1"	G 3/4"	G 1"
Pressure Gauge Connection	G 1/4"	G 1/4"	G 1/4"	G 1/4"
Flow Rate (l/min)	4000	4000	4000	4000
Working Pressure	1 Mpa, 10 Kgf/cm ² , 150 psi			
Regulating Pressure	0.05 to 0.85 Mpa			
Working Temperature	5 to 60°C			
Recommended Lubricant	SAE10			
Bowl Material	Polycarbonate			
Filter Element	Bronze 5, 20, 25 μ			
Metal Guard Bowl	Available			



AC1010-
AC2010-



AC3010-
AC4010-



AC5010-

Air Filter Regulator and Lubricator Dimensions

Part Number	P (Port Size)	A	B	C	D	E	F	G	H
AC1010-M5	M05	91	33	25.5	84.5	26	25	25	20
AC2010-01	G 1/8"	140	50	38	125	56.8	30	40	24
AC2010-02	G 1/4"	140	50	38	125	56.8	30	40	24
AC3010-02	G 1/4"	181	64	38	156.5	60.8	41	53	35
AC3010-03	G 3/8"	181	64	38	156.5	60.8	41	53	35
AC4010-03	G 3/8"	238	84	41	191.5	65.5	50	70	40
AC4010-04	G 1/2"	238	84	41	191.5	65.5	50	70	40
AC4010-06	G 3/4"	253	89	41	193	69.5	50	70	40
AC5010-06	G 3/4"	300	105	48	271.5	75.5	69.8	90	50
AC5010-10	G 1"	300	105	48	271.5	75.5	69.8	90	50

Dimensions are in mm