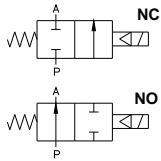


2W / 2S Series 2/2 way Solenoid Valve for Water Oil Gas

2/2 way Solenoid Valve



With Wire Connector



Normally Open



DIN Connector



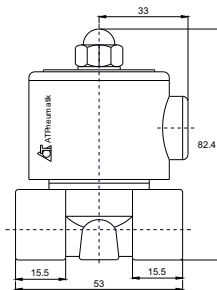
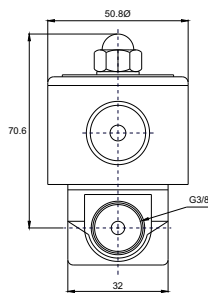
Ordering Code

2W	-	160 - 15 - V - AC110V - D - NO		
2W	-	2/2 way Solenoid Valve Brass Body		
2S	-	2/2 way Solenoid Valve Stainless Steel 304 body		
160	-	16 mm orifice	350	- 35 mm orifice
200	-	20 mm orifice	400	- 40 mm orifice
250	-	25 mm orifice	500	- 50 mm orifice
10	-	3/8"	35	- 1 1/4"
15	-	1/2"	40	- 1 1/2"
20	-	3/4"	50	- 2"
25	-	1"		
Blank	-	NBR	V	- Viton
DC12V	-	12Vdc	AC24V	- 24Vac / 60Hz
DC24V	-	24Vdc	AC110V	- 110Vac / 60Hz
DC110V	-	110Vdc	AC220V	- 220Vac / 60Hz
Blank	-	with Wire	D	- DIN
Blank	-	N. Close	NO	- N. Open

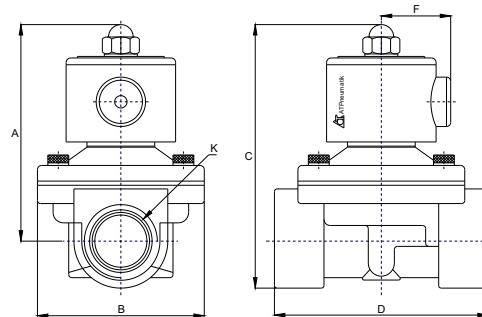
WOG Solenoid Valve Specification

Part Number	2W160-10	2W160-15	2W200-20	2W250-25	2W350-35	2W400-40	2W500-50
	2S160-10	2S160-15	2S200-20	2S250-25	2S350-35	2S400-40	2S500-50
Working Medium	Air, Water, Oil						
Type	Normally Closed						
Flow Rate	16		20	25	35	40	50
CV Value	4.5		7.6	12	24	29	48
Connection	3/8"	1/2"	3/4"	1"	1-1/4"	1-1/2"	2"
Fluid Viscosity	20 CST						
Working Pressure	Air: 0~0.7; Water: 0~0.5; Oil: 0~0.5						
Working Pressure	1Mpa 150 psi						
Operating Temperature	5 ~ 80°C						
Voltage Range	±10%						
Body Material	2W: Brass 2S: Stainless Steel						
Seal Material	NBR / VITON						

2W/2S 040-10 2/2 way solenoid valve



2W/2S 160/500 - 2/2 way solenoid valve



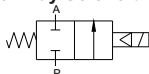
2W / 2S WOG Solenoid Valve Dimension

Part Number	A	B	C	D	E	F	K
2W / 2S-160-10	101.5	57	117	69	50	36	G 3/8"
2W / 2S-160-15	101.5	57	117	69	50	36	G 1/2"
2W / 2S-200-20	107	57	123.5	73	50	36	G 3/4"
2W / 2S-250-25	111.5	73.5	134.5	99	50	36	G 1/2"
2W / 2S-350-35	142	95	172	123	70.5	56	G 1-1/4"
2W / 2S-400-40	142	95	172	123	70.5	56	G 1-1/2"
2W / 2S-500-50	172	123	209	168	70.5	56	G 2"

Dimensions are in mm

2L Series 2/2 way Steam Solenoid Valve

2/2 way Solenoid Valve



Steam Solenoid Valve

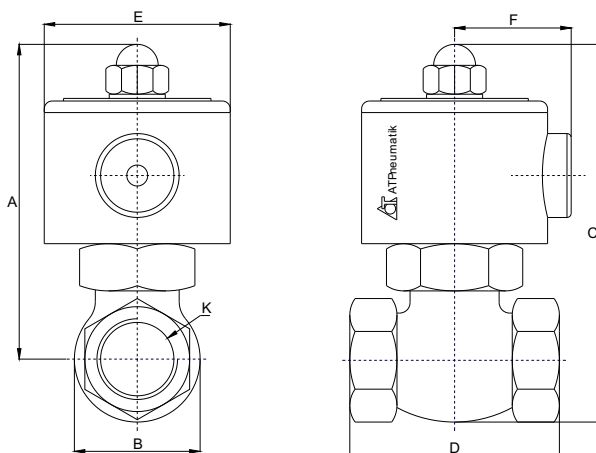
Ordering Code

2L	-	170	-	15	-	AC110V		
2L	-	2/2 way Steam Solenoid Valve Brass Body						
170	-	17 mm orifice						
200	-	20 mm orifice						
300	-	30 mm orifice						
400	-	40 mm orifice						
500	-	50 mm orifice						
10	-	3/8"		35	-	1 1/4"		
15	-	1/2"		40	-	1 1/2"		
20	-	3/4"		50	-	2"		
25	-	1"						
DC12V	-	12Vdc		AC24V	-	24Vac / 60Hz		
DC24V	-	24Vdc		AC110V	-	110Vac / 60Hz		
DC110V	-	110Vdc		AC220V	-	220Vac / 60Hz		

2L Series Steam Solenoid Valve Specification

Model	2L170-10	2L170-15	2L170-20	2L200-25	2L300-35	2L300-40	2L500-50
Working Medium	Air, Water, Steam						
Mounting	Horizontal						
Type	Normally Closed						
Flow Rate	17			22	30		50
CV Value	4.8			12	20		48
Connection	3/8"	1/2"	3/4"	1"	1-1/4"	1-1/2"	2"
Working Pressure	Air, Water, Steam: 0.1~1.0						
working Temperature	5 ~ 180°C						
Voltage Range	±10%						
Body Material	Brass						
Seal Material	PTFE						

2L170/500 - 2/2 way steam solenoid valve



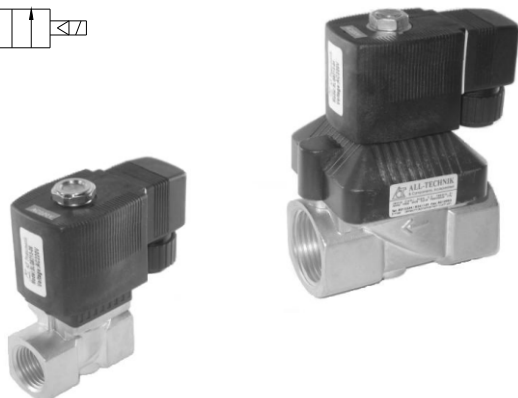
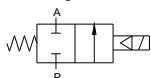
2L Series Steam Solenoid Valve Dimension

Part Number	A	B	C	D	K
2L170-10	125	42	146	82	G 3/8"
2L170-15	125	42	146	82	G 1/2"
2L170-20	125	42	146	82	G 3/4"
2L200-25	136	52	162	90.5	G 1/2"
2L300-35	148	74	185	111	G 1 1/4"
2L400-40	148	74	185	111	G 1 1/2"
2L500-50	176	86	223	163	G 2"

Dimensions are in mm

SLGC6132 Series 2/2 way WOG Solenoid Valve

2/2 way Solenoid Valve

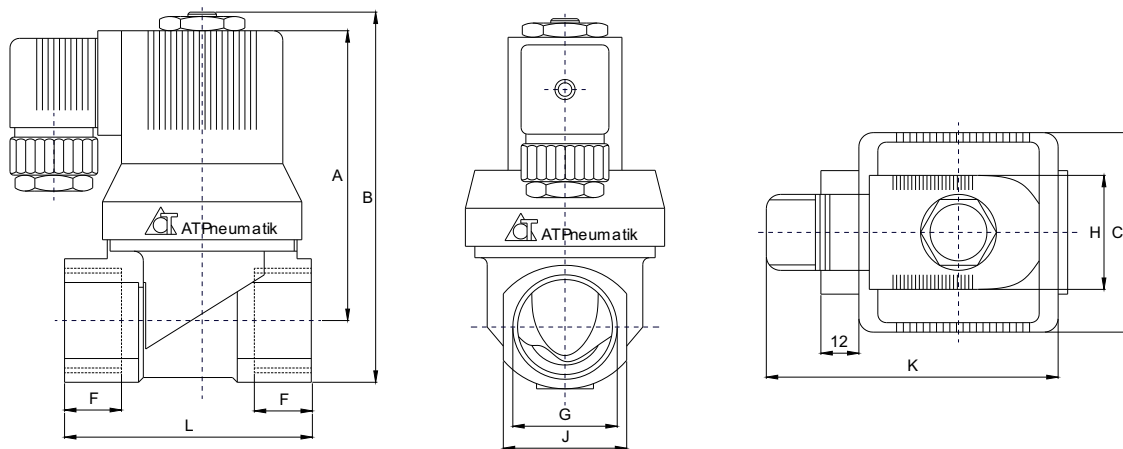


Ordering Code

SLGC	-	6132	-	02	-	AC110V
SLGC	-	2/2 way WOG Solenoid Valve Brass Body				
6232	-	Body Size 1				
6332	-	Body Size 2				
6432	-	Body Size 3				
02	-	1/4"				
03	-	3/8"				
04	-	1/2"				
06	-	3/4"				
08	-	1"				
DC12V	-	12Vdc		AC24V	-	24Vac / 60Hz
DC24V	-	24Vdc		AC110V	-	110Vac / 60Hz
DC110V	-	110Vdc		AC220V	-	220Vac / 60Hz

SLGC Series Solenoid Valve Specification					
Part Number	SLGC6213-02	SLGC6213-03	SLGC6313-04	SLGC6313-06	SLGC6413-08
Working Medium	Water, Oil, Gas				
Mounting	Any position				
Type	Normally Closed				
Flow Rate M ³ /h	2		8		11
Power Consumption	AC = 14VA DC = 8VA				
Connection	G 1/4"	G 3/8"	G 1/2"	G 3/4"	G 1"
Working Pressure	:0.1~1.0 Mpa, 150 psi				
Operating Temperature	5 ~ 80°C				
Voltage Range	±10%				
Body Material	Brass				
Seal Material	NBR, Viton				

SLGC6213 - 2/2 way WOG solenoid valve



SLGC6213 Series WOG Solenoid Valve Dimension									
Part Number	G	C	F	L	J	A	B	H	K
SLGC6213-02	G 1/4"	38	14	50	26	71	85	35	71
SLGC6213-03	G 3/8"	38	14	50	26	71	85	35	71
SLGC6313-04	G 1/2"	45	16	58	31	81	96	35	80
SLGC6313-06	G 3/4"	45	16	58	31	81	96	35	80
SLGC6413-08	G 1"	65	18	82	41	96	117	35	90

Dimensions are in mm