

Automatic Drain Timer

Electronic Drain Timer



Digital Timer

Analog Timer



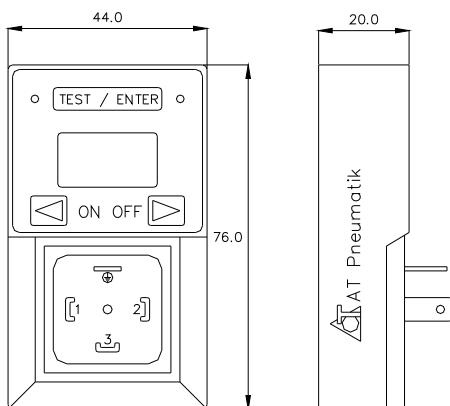
Ordering Code

JCF - 10 - 110Vac - DIN

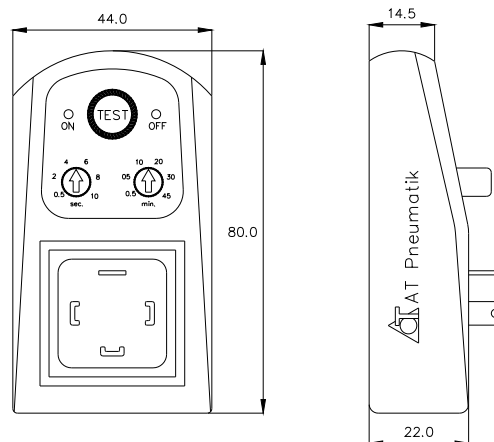
- JCF - Analog Drain Timer
- Digital Drain Timer
- Blank - Drain Timer without Solenoid Valve
- 10 - 3/8"
- 15 - 1/2"
- 110Vac - 110Vac/60hz
- 220Vac - 220Vac/60hz
- DIN - Without Indicator
- DIN-LED - With LED Indicator

Electronic Drain timer is auto volt from 110 to 220Vac/60hz, specified the voltage, solenoid valve is normally closed, direct operated, 150psi, 80°C working temperature, timer connection is DIN standard and fitted majority of solenoid valve, it is recommended to install a strainer before the inlet of the valve to avoid clogging.

Digital Drain Timer Dimension



Analog Drain Timer Dimension



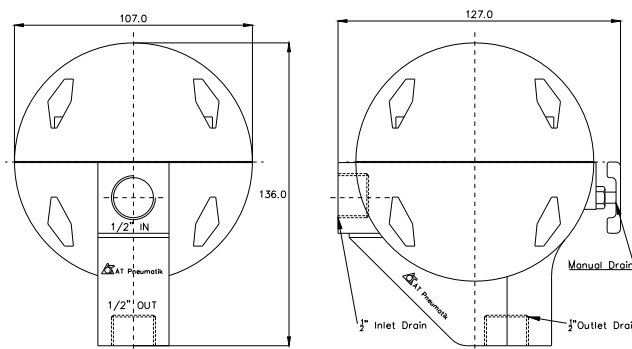
Condensate Drain

Mechanical Condensate Drain



Part Number : HAD-402B

Condensate Drain Dimension



Mechanical Condensate Drain (zero drain loss); drain when the level of water rises inside the bowl, mechanical floats open the drain and release the condensate; slowly closing the valve while releasing the condensate, working pressure 150 psi, port size 1/2", with manual override, drain capacity 2GPM.

Dimensions are in mm