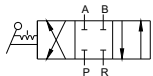
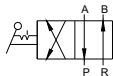


Rotary Hand Lever Valve

4/3 way Center Closed Valve



4/2 way Valve

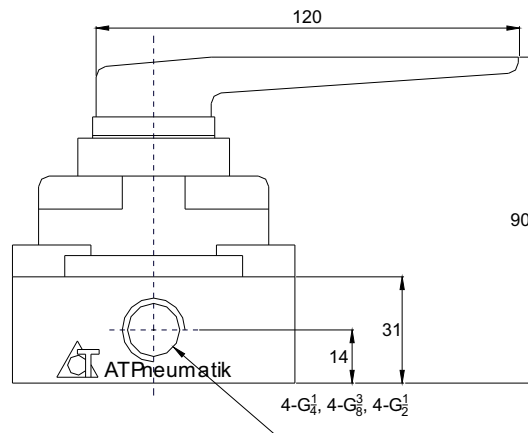
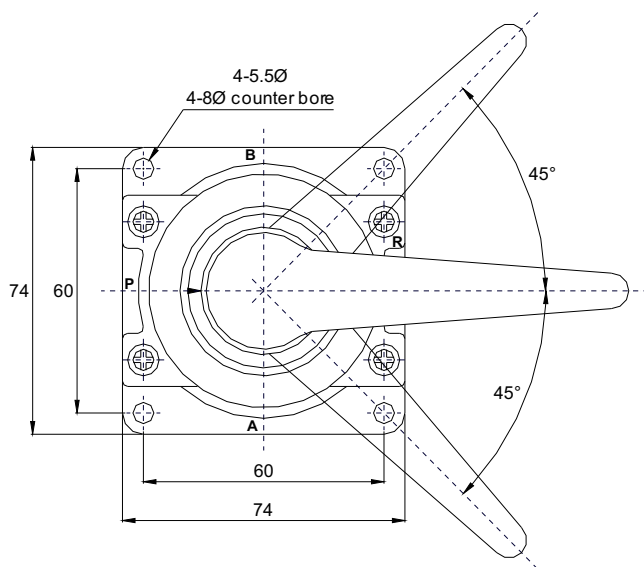


Ordering Code

- HV - 4 - 00 - 02**
- H** - Rotary Hand Lever Valve
 - 00** - 4/2 way Rotary Hand Lever Valve
 - 30C** - 4/3 way Rotary Hand Lever Valve Center Close
 - 02** - G 1/8"
 - 03** - G 3/8"
 - 04** - G 1/2"

Hand Lever Valve Specification			
Part Number	HV400-02	HV400-03	HV400-04
Working Medium	40 micron Filtered Air		
Mounting	Any position		
Type	4/3 way center closed		
Orifice Size	30 mm ² ; CV = 1.68		
Connection	G 1/4"	G 3/8"	G 1/2"
Working Pressure	0 ~ 1.0 Mpa, 150 psi		
Operating Temperature	0 ~ 60°C		
Voltage Range	±10%		
Body Material	Aluminum		
Seal Material	NBR		

HV400 - 4/3 way Hand Lever valve



Dimensions are in mm