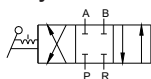
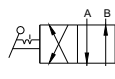


Rotary Hand Lever Valve Panel Mounted

4/3 way Center Closed Valve



4/2 way Valve



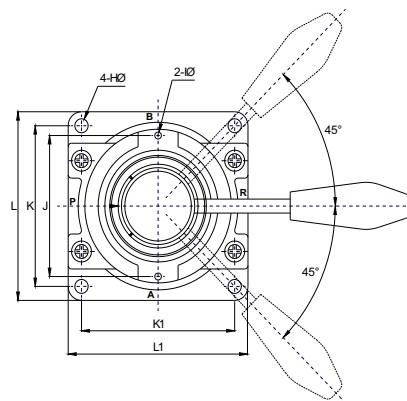
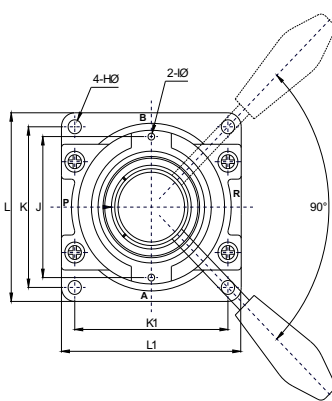
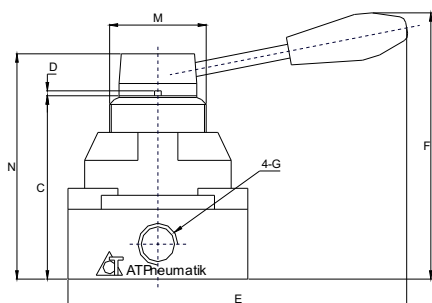
Ordering Code

- 4HV - 2 - 10 - 06 - N**
- 4H** - Rotary Hand Lever Valve
 - 2** - 200 series
 - 3** - 300 series
 - 4** - 400 series
 - 10** - 4/2 way Rotary Hand Lever Valve
 - 30C** - 4/3 way Rotary Hand Lever Valve Center Close
 - 06** - G 1/8" **08** - G 1/4"
 - 10** - G 3/8" **15** - G 1/2"
 - Blank** - w/o Mounting Nut
 - N** - w/ Mounting Nut

Hand Lever Valve Specification

Part Number	4HV210-06	4HV310-08	4HV310-15	4HV410-15	4HV230C-06	4HV330C-08	4HV330C-15	4HV430C-15				
	4HV210-08	4HV310-10			4HV230C-08	4HV330C-10						
Working Medium	40 Micron Filtered Air											
Working Pressure	0.15 ~ 0.8 MPa, 1.5 ~ 8 Kgf/cm ² , 22 ~ 117.6 PSI											
Working Temperature	5 ~ 60°C, 41 ~ 140°F											
Connection	G 1/8"	G 1/4"	G 1/4"	G 3/8"	G 1/2"	G 1/2"	G 1/8"	G 1/4"	G 1/4"	G 3/8"	G 1/2"	G 1/2"

HV210/310 - 4-way Hand Lever valve



Hand Lever Valve Dimension

Part Number	4HV210-06	4HV310-08	4HV310-15	4HV410-15	4HV230C-06	4HV330C-08	4HV330C-15	4HV430C-15
	4HV210-08	4HV310-10			4HV230C-08	4HV330C-10		
M	M34X1.5	M40X1.5	M40X1.5	M52X1.5	M34X1.5	M40X1.5	M40X1.5	M52X1.5
N	73	93.5	93.5	110.3	73	93.5	93.5	110.3
C	45	56	56	72	45	56	56	72
D	1.5	1.5	1.5	2	1.5	1.5	1.5	2
G	G 1/8" G 1/4"	G 1/4" G 3/8"	G 1/2"	G 1/2"	G 1/8" G 1/4"	G 1/4" G 3/8"	G 1/2"	G 1/2"
F	92.5	109	109	128	92.5	109	109	128
L	62	74	74	102	62	74	74	102
L1	62	74	74	94	62	74	74	94
K	49	62	62	89	49	62	62	89
K1	49	62	62	81	49	62	62	81
J	40	51	51	64	40	51	51	64
H	5.3	6.6	6.6	6.6	5.3	6.6	6.6	6.6
I	3	3	3	3	3	3	3	3
E	120	140	140	113	120	140	140	113

Dimensions are in mm