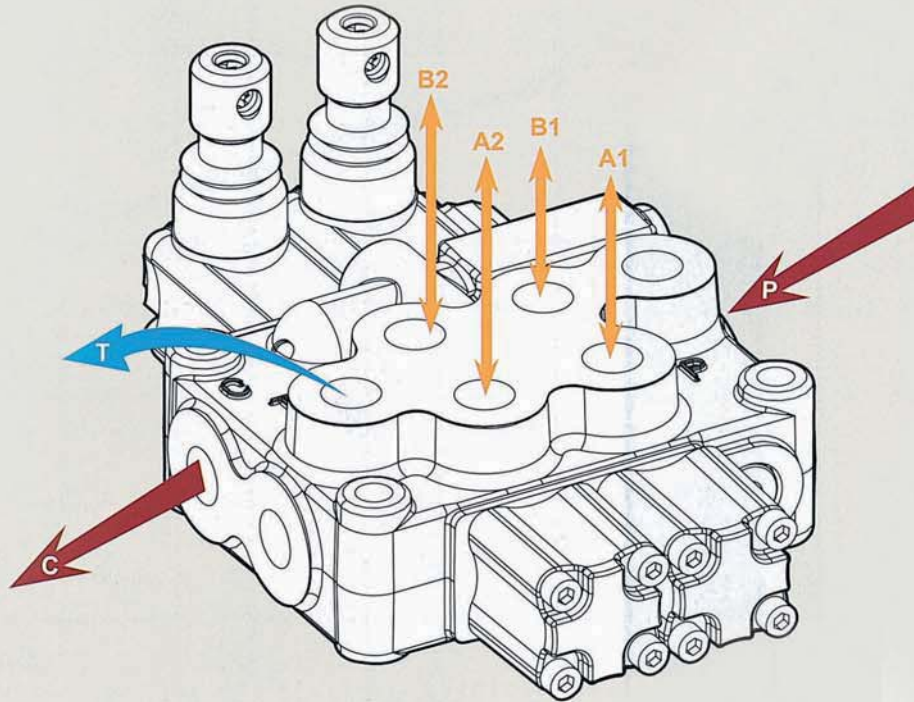


MB-3

Monoblock Directional Control Valves

MB-3



MB-3 Specifications

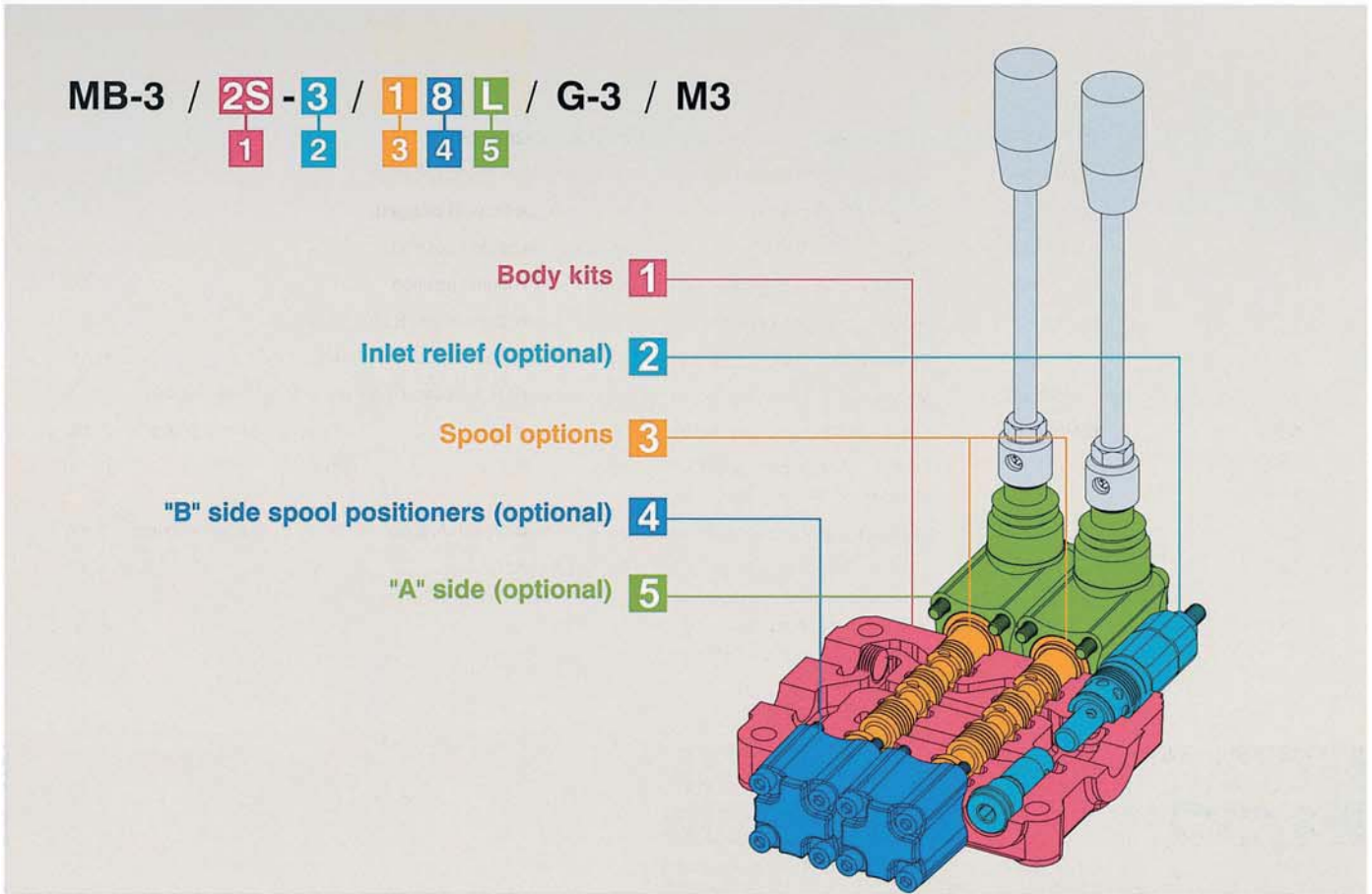
Nominal flow rate		45 l/min	12 US gpm
Operating pressure (maximum)		315 bar	4600 psi
Back pressure (maximum)	on outlet port T	25 bar	360 psi
Fluid temperature range	with NBR(BUNA-N) seals	from - 20° to 80°C	from - 4° to 176° F
	with FPM(VITON) seal	from - 20° to 100°C	from - 4° to 212° F
Viscosity	operating range	from 15 to 75 mm ² /s	from 15 to 75 cst
	min.	12 mm ² /s	12 cst
	max.	400 mm ² /s	400 cst
Ambient temperature range		from - 40° to 60°C	from - 40° to 140° F

• All specifications, dimensions and design characteristics shown in this catalogue are subject to change without notice.

MB-3

Monoblock Directional Control Valves

MB-3



1:	Body kits	WITHOUT SERVICE PORT VALVES PREARRANGEMENT (INCLUDE BODY, SEALS, RINGS AND LOAD CHECK VALVE.)
	TYPE	DESCRIPTION
	1 - S	1 section
	2 - S	2 sections
	3 - S	3 sections
	4 - S	4 sections
	5 - S	5 sections
	6 - S	6 sections

2:	Inlet Relief (optional)			
	TYPE	CODE	DESCRIPTION	PAGE
	DG-2	YLMB32002	Range 40 to 80 bar / 580 to 1150 psi, standard setting 80 bar / 1150 psi	P. 25
	DG-3	YLMB32003	Range 63 to 200 bar / 900 to 2900 psi, standard setting 120 bar / 1750 psi	P. 25
	DG-4	YLMB32004	Range 160 to 315 bar / 2300 to 4600 psi, standard setting 220 bar / 3200 psi	P. 25
	SV	YLMB32100	Relief valve blanking plug	P. 25

MB-3

Monoblock Directional Control Valves

MB-3

3: Spool Options			
TYPE	CODE	DESCRIPTION	PAGE
1	YLMB33001	Double acting, 3 positions, with A, B closed in neutral position	P. 26
2	YLMB33002	Double acting, 3 positions, with A, B open to Tank in neutral position	P. 26
3	YLMB33003	Single acting on A closed in neutral position, 3 positions, B plugged	P. 27
5	YLMB33005	Double acting, 3 positions, with B open to Tank in neutral position	P. 27
6	YLMB33006	Double acting, 3 positions, with A open to Tank in neutral position	P. 28
7	YLMB33007	Single acting on A open to Tank in neutral position, 3 positions, B plugged	P. 28
9	YLMB33009	Double acting, 3 positions, with P, T, A, B closed in neutral position (Closed center)	P. 29
10	YLMB33010	Double acting, 3 positions, with A, B open to Tank and P, T closed in neutral position (Closed center)	P. 29
5DY	YLMB33052	Double acting, 4 position, floating circuit in 4th position with A, B open to Tank by pulling the lever	P. 30
5PYX	YLMB330511	Double acting, 4 positions, floating circuit in 4th position with A, B open to Tank by pushing the lever (with check valve)	P. 30
5PY	YLMB33051	Double acting, 4 positions, floating circuit in 4th position with A, B open to Tank by pushing the lever	P. 31
Z41	YLMB33041	Double acting, 4 positions, regenerative circuit in 4th position with P open to A, B by pulling the lever (Rest in pos. 1)	P. 31
Z42	YLMB33042	Double acting, 4 positions, regenerative circuit in 4th position with P open to A, B by pulling the lever (Rest in pos. 0)	P. 32

4: B Side Spool Positioners			
TYPE	CODE	DESCRIPTION	PAGE
6-1	YLMB44061	Detent in pos. 1-0-2, without spring centered	P. 36
6-2	YLMB44062	2 positions, detent in pos. 0-2, without spring centered	P. 36
6-3	YLMB44063	2 positions, detent in pos. 1-0, without spring centered	P. 36
8D2	YLMB44200	With spring return to neutral position and pin with M8 male thread for dual control	P. 36
8EP3	YLMB44300	ON/OFF Electro-Pneumatic actuator	P. 37
8P	YLMB44080	ON/OFF Pneumatic actuator	P. 37
8MG1 (NO)	YLMB44801	Microswitch kit operated in pos. 1 (Normally Open)	P. 40
8MG2 (NO)	YLMB44802	Microswitch kit operated in pos. 2 (Normally Open)	P. 40
8MG3 (NO)	YLMB44803	Microswitch kit operated in pos. 1&2 (Normally Open)	P. 40
MG (NO)	YLMB44804	Microswitch with NO terminal	P. 40
8MG1 (NC)	YLMB448011	Microswitch kit operated in pos. 1 (Normally Closed)	P. 40
8MG2 (NC)	YLMB448021	Microswitch kit operated in pos. 2 (Normally Closed)	P. 40
8MG3 (NC)	YLMB448031	Microswitch kit operated in pos. 1&2 (Normally Closed)	P. 40
MG (NC)	YLMB448041	Microswitch with NC terminal	P. 40
8	YLMB44008	With spring return to neutral position	P. 41
8-1	YLMB44081	2 positions, with spring centered from pos. 1	P. 41
8-2	YLMB44082	2 positions, with spring centered from pos. 2	P. 41
9-1	YLMB44091	Detent in pos. 1, 2 with spring centered	P. 41
9-2	YLMB44092	Detent in pos. 2 with spring centered	P. 41
9-3	YLMB44093	Detent in pos. 1 with spring centered	P. 41

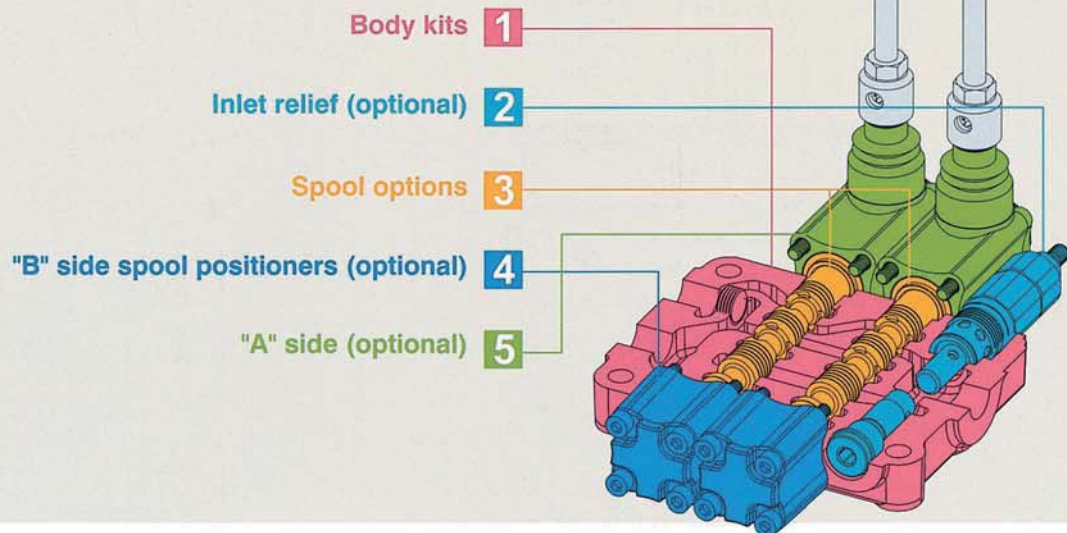
MB-3

Monoblock Directional Control Valves

MB-3

MB-3 / 2S - 3 / 1 8 L / G-3 / M3

1
2
3
4
5



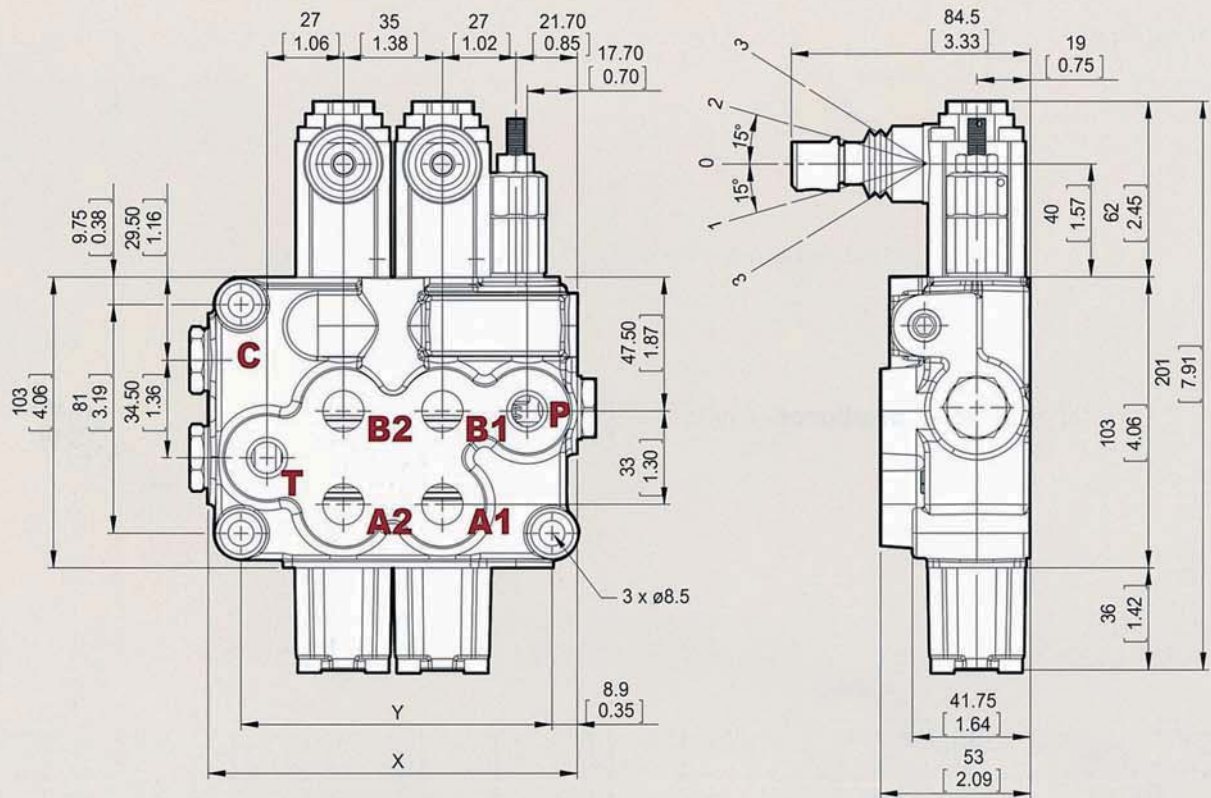
4: B Side Spool Positioners			
TYPE	CODE	DESCRIPTION	PAGE
8ED3+RV-KE1R3	YLMB44201	1S: ON/OFF Electro-Hydraulic control kit with pilot and drain line+backpressure valve (12/24 VDC)	P. 38
8ED3+RV-KE2R3	YLMB44202	2S: ON/OFF Electro-Hydraulic control kit with pilot and drain line+backpressure valve (12/24 VDC)	P. 38
8ED3+RV-KE3R3	YLMB44203	3S: ON/OFF Electro-Hydraulic control kit with pilot and drain line+backpressure valve (12/24 VDC)	P. 38
8ED3+RV-KE4R3	YLMB44204	4S: ON/OFF Electro-Hydraulic control kit with pilot and drain line+backpressure valve (12/24 VDC)	P. 38
8ED3+RV-KE5R3	YLMB44205	5S: ON/OFF Electro-Hydraulic control kit with pilot and drain line+backpressure valve (12/24 VDC)	P. 38
8ED3+RV-KE6R3	YLMB44206	6S: ON/OFF Electro-Hydraulic control kit with pilot and drain line+backpressure valve (12/24 VDC)	P. 38
8ER3+KE1S0	YLMB44401	1S: ON/OFF Electro-hydraulic control kit with collector kit for external pilot and drain	P. 39
8ER3+KE2S0	YLMB44402	2S: ON/OFF Electro-hydraulic control kit with collector kit for external pilot and drain	P. 39
8ER3+KE3S0	YLMB44403	3S: ON/OFF Electro-hydraulic control kit with collector kit for external pilot and drain	P. 39
8ER3+KE4S0	YLMB44404	4S: ON/OFF Electro-hydraulic control kit with collector kit for external pilot and drain	P. 39
8ER3+KE5S0	YLMB44405	5S: ON/OFF Electro-hydraulic control kit with collector kit for external pilot and drain	P. 39
8ER3+KE6S0	YLMB44406	6S: ON/OFF Electro-hydraulic control kit with collector kit for external pilot and drain	P. 39

5: A Side (optional)			
TYPE	CODE	DESCRIPTION	PAGE
L	YLMB45000	Standard lever box	P. 33
SLP	YLMB45001	Without lever box, with dust-proof plate	P. 33
LCB	YLMB45002	Joystick lever for 2 section operation	P. 34
TQ	YLMB45003	Flexible cable connection	P. 35

MB-3 Dimensions

Monoblock Directional Control Valves

MB-3



Standard threads

Ports	Inlet P	A and B	Outlet T and C
BSP	G3/8	G3/8	G3/8
UN-UNF	3/4-16 UNF-2B (SAE 8)	3/4-16 UNF-2B (SAE 8)	3/4-16 UNF-2B (SAE 8)
METRIC	M18x1.5	M18x1.5	M18x1.5

• G-1/2 : G4 G-3/8 : G3 G-3/4 : G6
 • SAE 8 : E8 SAE 10 : E10 SAE 12 : E12 SAE 16 : E16

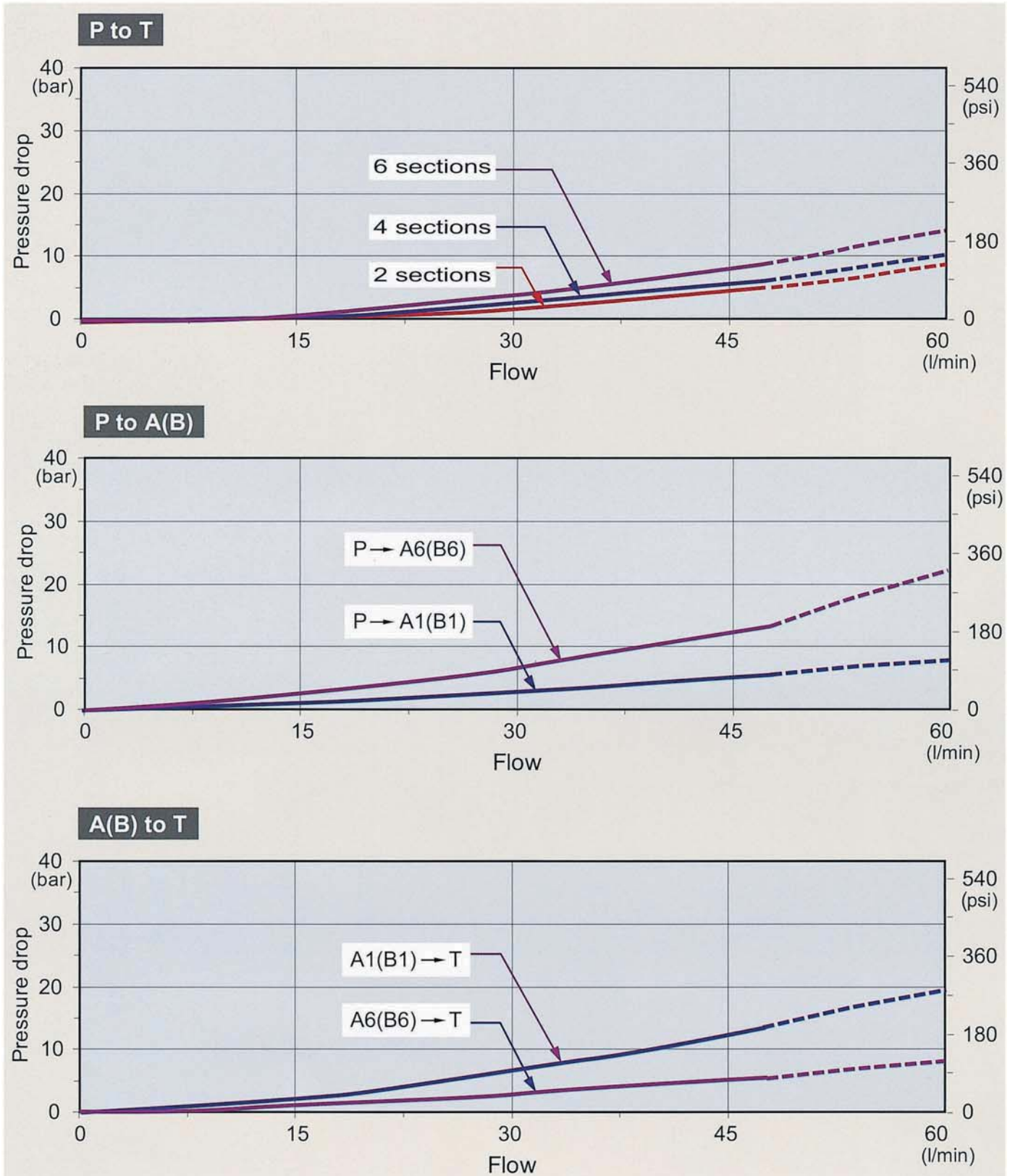
Standard dimensions

TYPE	X		Y	
	mm	in	mm	in
MB3 /1S	93.5	3.68	73	2.87
MB3 /2S	130.5	5.14	110	4.33
MB3 /3S	165.5	6.52	147	5.79
MB3 /4S	202.5	7.97	184	7.24
MB3 /5S	239.5	9.43	221	8.7
MB3 /6S	276.5	10.89	258	10.16
MB3 /7S	313.5	12.34	295	11.61

MB-3 Performance curve chart

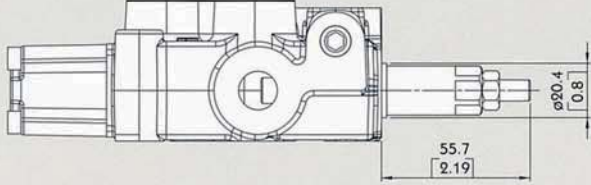
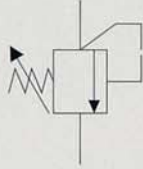
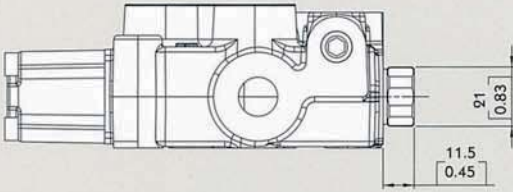

Monoblock Directional Control Valves

MB-3



MB-3 Inlet Relief (Optional) Monoblock Directional Control Valves

MB-3

Type DG	
	<p>Direct pressure relief valve:</p> 
Type SV	
	<p>Relief valve blanking plug:</p> 

MB-3 Spool Options

Monoblock Directional Control Valves

MB-3

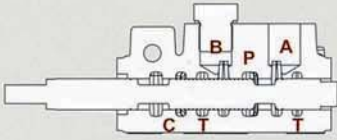
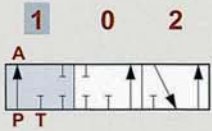
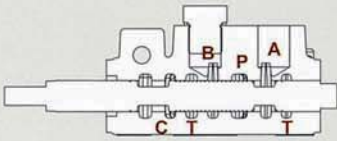
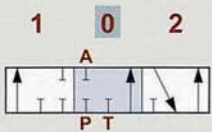
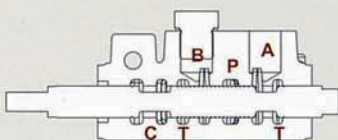
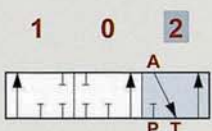
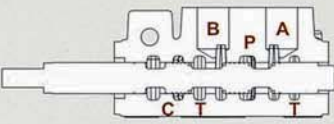
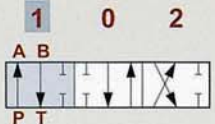
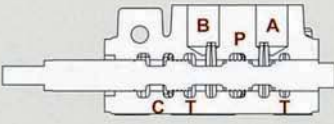
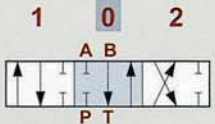
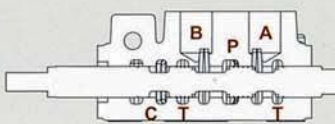
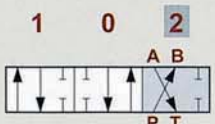
TYPE 1		
	<p>P → A B → T C closed</p>	
	<p>A & B & P & T closed C open</p>	
	<p>P → B A → T C closed</p>	

TYPE 2		
	<p>P → A B → T C closed</p>	
	<p>A & B → T P closed C open</p>	
	<p>P → B A → T C closed</p>	

MB-3 Spool Options

Monoblock Directional Control Valves

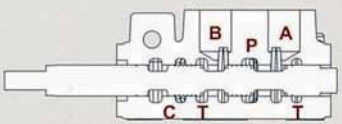
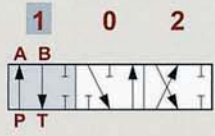
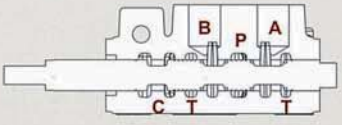
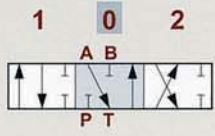
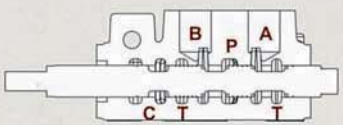
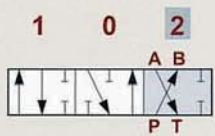
MB-3

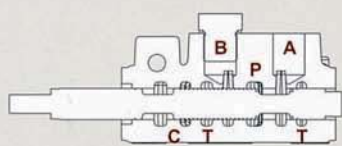
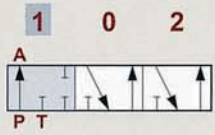
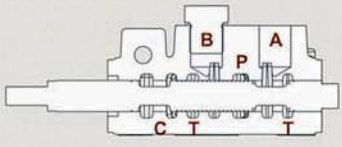
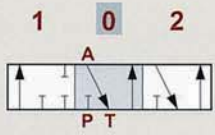
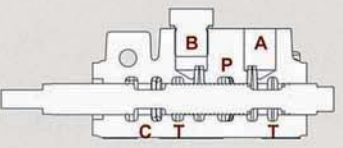
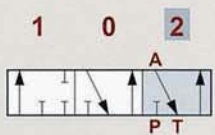
TYPE 3		
	<p>P → A</p> <p>C & T closed</p>	<p>1 0 2</p>  <p>"B" port plugged</p>
	<p>P & A & T closed</p> <p>C open</p>	<p>1 0 2</p>  <p>"B" port plugged</p>
	<p>A → T</p> <p>P closed</p> <p>C open</p>	<p>1 0 2</p>  <p>"B" port plugged</p>
TYPE 5		
	<p>P → A</p> <p>B → T</p> <p>C closed</p>	<p>1 0 2</p> 
	<p>B → T</p> <p>A & P closed</p> <p>C open</p>	<p>1 0 2</p> 
	<p>P → B</p> <p>A → T</p> <p>C closed</p>	<p>1 0 2</p> 

MB-3 Spool Options

Monoblock Directional Control Valves

MB-3

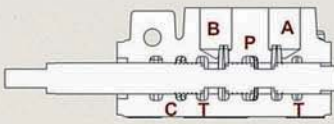
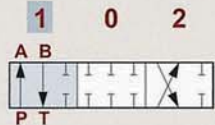
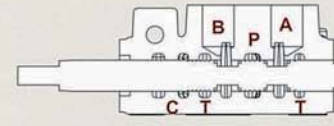
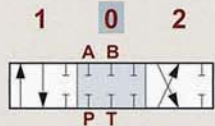
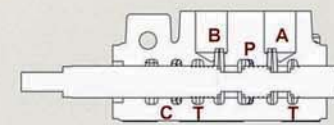
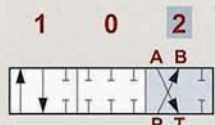
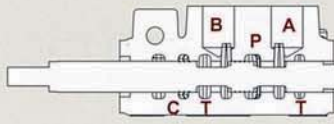
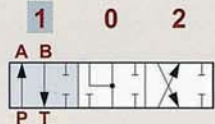
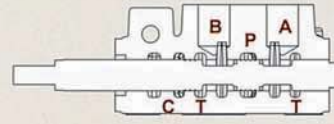
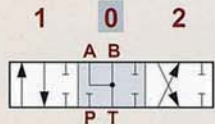
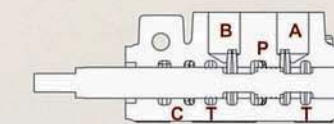
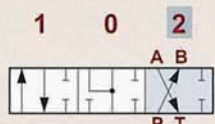
TYPE 6		
	<p>P → A</p> <p>B → T</p> <p>C closed</p>	
	<p>A → T</p> <p>P & B closed</p> <p>C open</p>	
	<p>P → B</p> <p>A → T</p> <p>C closed</p>	

TYPE 7		
	<p>P → A</p> <p>C & T closed</p>	
	<p>A → T</p> <p>P closed</p> <p>C open</p>	
	<p>A → T</p> <p>P closed</p> <p>C open</p>	

MB-3 Spool Options

Monoblock Directional Control Valves

MB-3

TYPE 9		
	<p>P → A</p> <p>B → T</p> <p>C closed</p>	
	<p>A & B & P & T closed</p> <p>C closed</p>	
	<p>P → B</p> <p>A → T</p> <p>C closed</p>	
TYPE 10		
	<p>P → A</p> <p>B → T</p> <p>C closed</p>	
	<p>A & B → T</p> <p>P & C closed</p>	
	<p>P → B</p> <p>A → T</p> <p>C closed</p>	

MB-3 Spool Options

Monoblock Directional Control Valves

MB-3

TYPE 5DY	NOTE: WITH SPECIAL BODY AND SPECIAL POSITIONER	
	<p>P → A</p> <p>B → T</p> <p>C closed</p>	
	<p>P & A & B & T closed</p> <p>C open</p>	
	<p>P → B</p> <p>A → T</p> <p>C closed</p>	
	<p>A & B → T</p> <p>P closed</p> <p>C open</p>	

TYPE 5PYX	NOTE: WITH SPECIAL BODY AND SPECIAL POSITIONER	
	<p>A & B → T</p> <p>P closed</p> <p>C open</p>	
	<p>P → A</p> <p>B → T</p> <p>C closed</p>	
	<p>P & A & B & T closed</p> <p>C open</p>	
	<p>P → B</p> <p>A → T</p> <p>C closed</p>	

MB-3 Spool Options

Monoblock Directional Control Valves

MB-3

TYPE 5PY		NOTE: WITH SPECIAL BODY AND SPECIAL POSITIONER
	<p>A & B → T P closed C open</p>	
	<p>P → A B → T C closed</p>	
	<p>P & A & B & T closed C open</p>	
	<p>P → B A → T C closed</p>	

TYPE Z41		NOTE: WITH SPECIAL BODY AND SPECIAL POSITIONER
	<p>P → A B → T C closed</p>	 Rest in pos. 1
	<p>P & A & B & T closed C open</p>	
	<p>P → B A → T C closed</p>	
	<p>P → A & B T & C closed</p>	

MB-3 Spool Options

Monoblock Directional Control Valves

TYPE Z42		NOTE: WITH SPECIAL BODY AND SPECIAL POSITIONER	
	<p>P → A</p> <p>B → T</p> <p>C closed</p>		
	<p>P & A & B & T closed</p> <p>C open</p>		Rest in pos. 0
	<p>P → B</p> <p>A → T</p> <p>C closed</p>		
	<p>P → A & B</p> <p>T & C closed</p>		

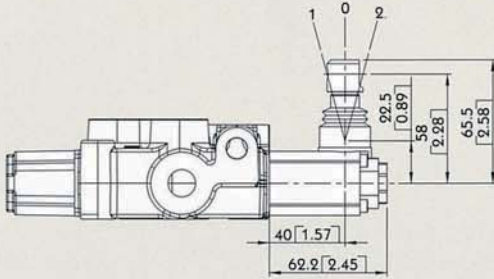
MB-3

MB-3 A Side

Monoblock Directional Control Valves

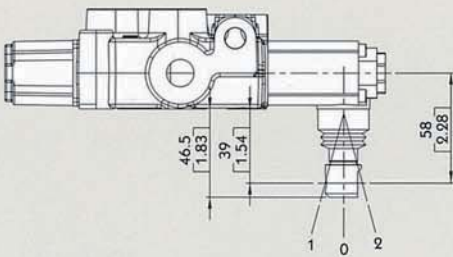
MB-3

Type L



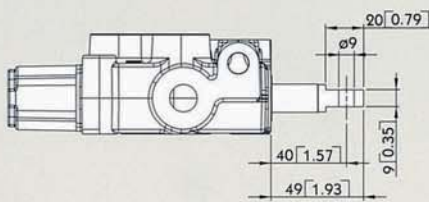
Type L :
STANDART LEVER KIT

Type R



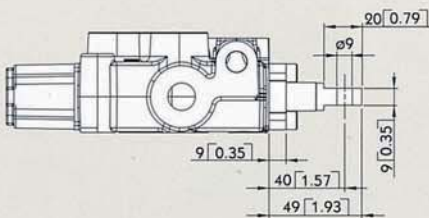
Type R :
STANDART LEVER KIT
(ROTATED 180 DEGREE)

Type SL



Type SL :
WITHOUT ANY COVER

Type SLP

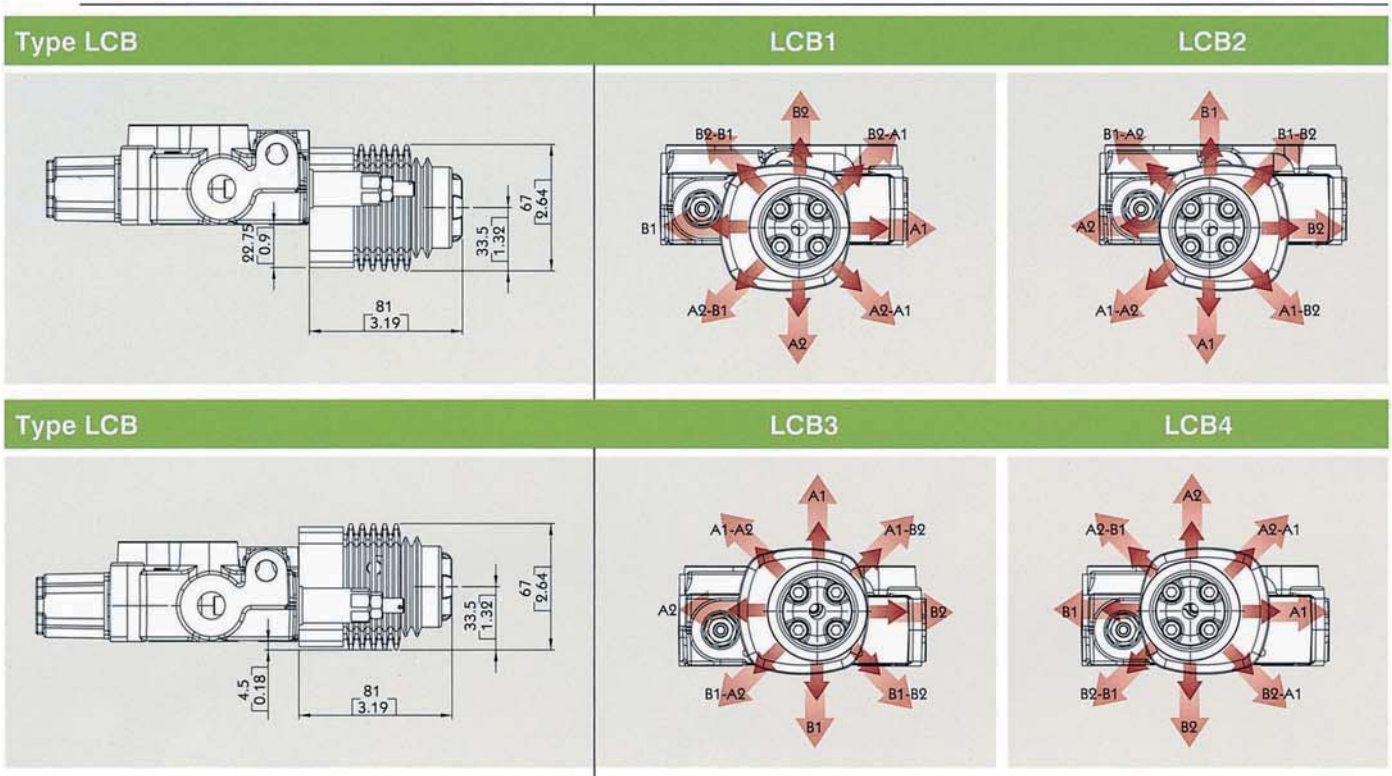
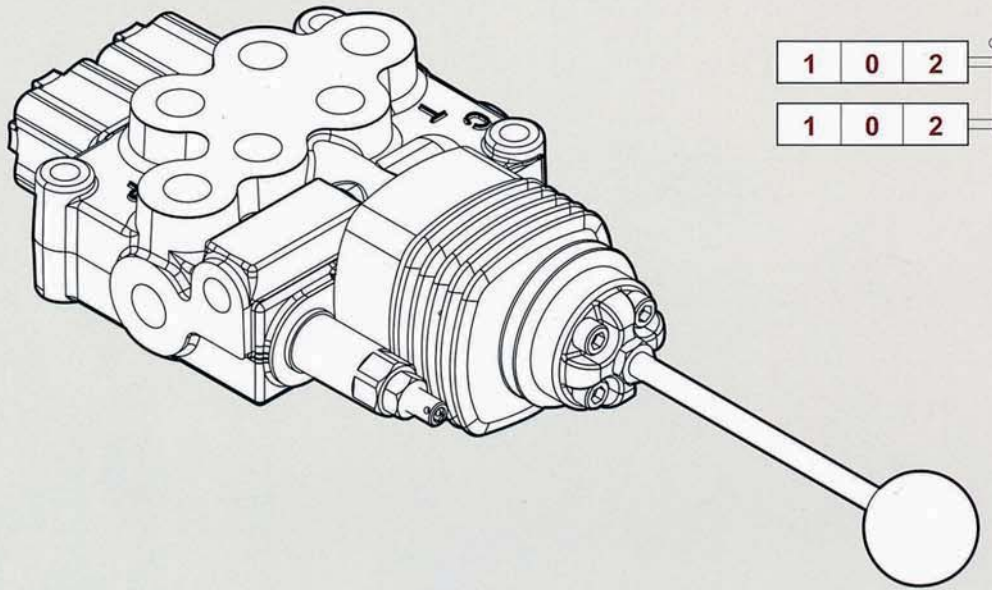


Type SLP :
WITH DUST-PROOF PLATE

MB-3 A Side Monoblock Directional Control Valves

MB-3

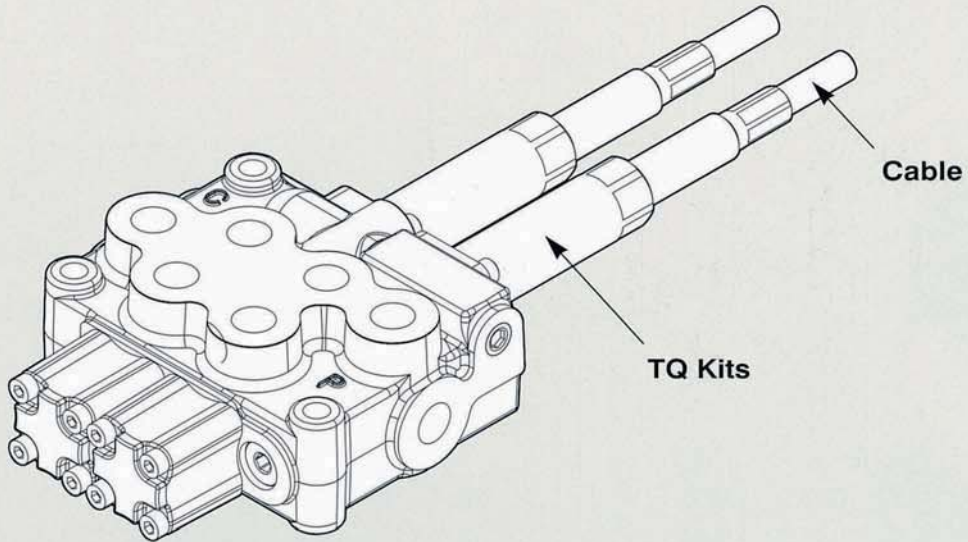
LCB: Joystick control



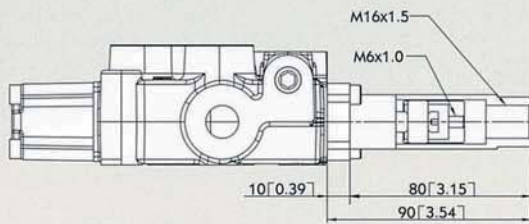
MB-3 A Side Monoblock Directional Control Valves

MB-3

Note : CONNECTION KIT NOT INCLUDE CABLE



Type TQ



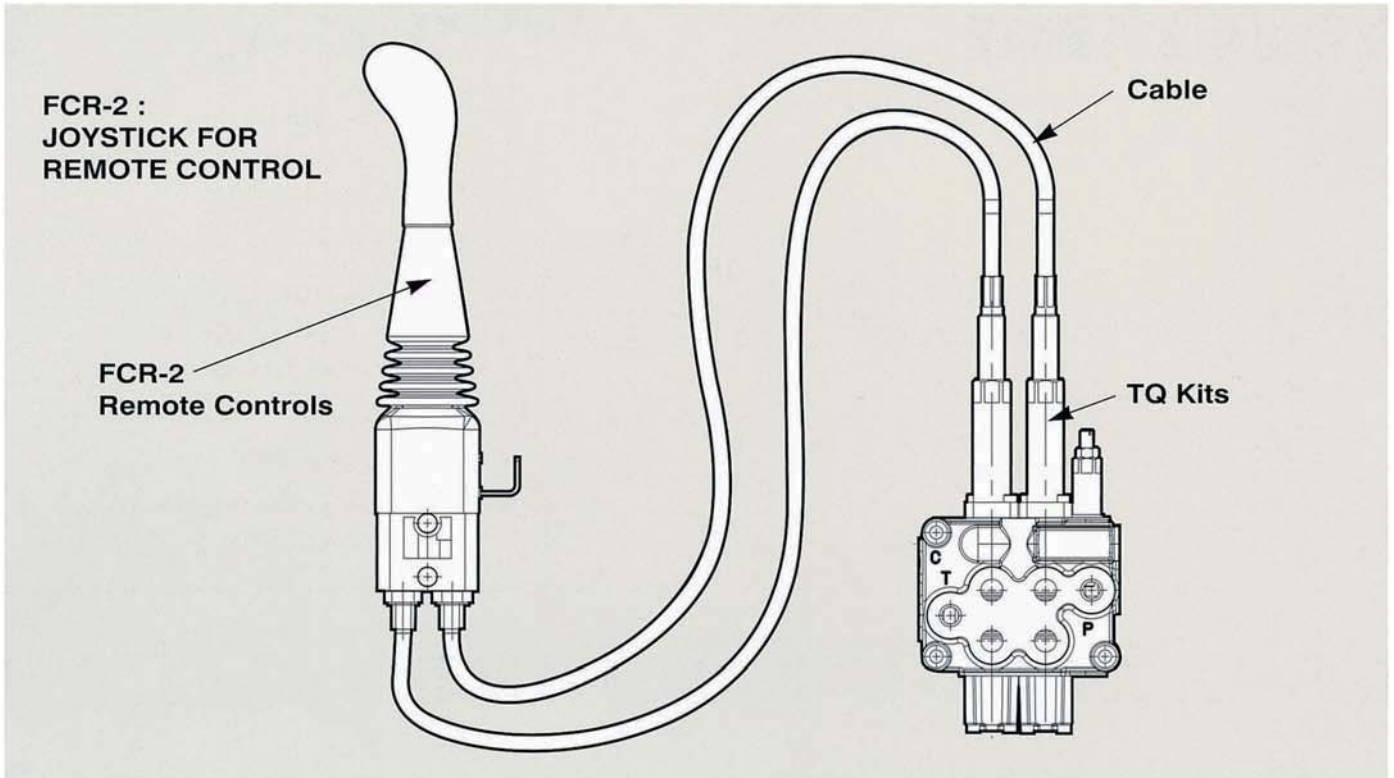
TQ Kit:



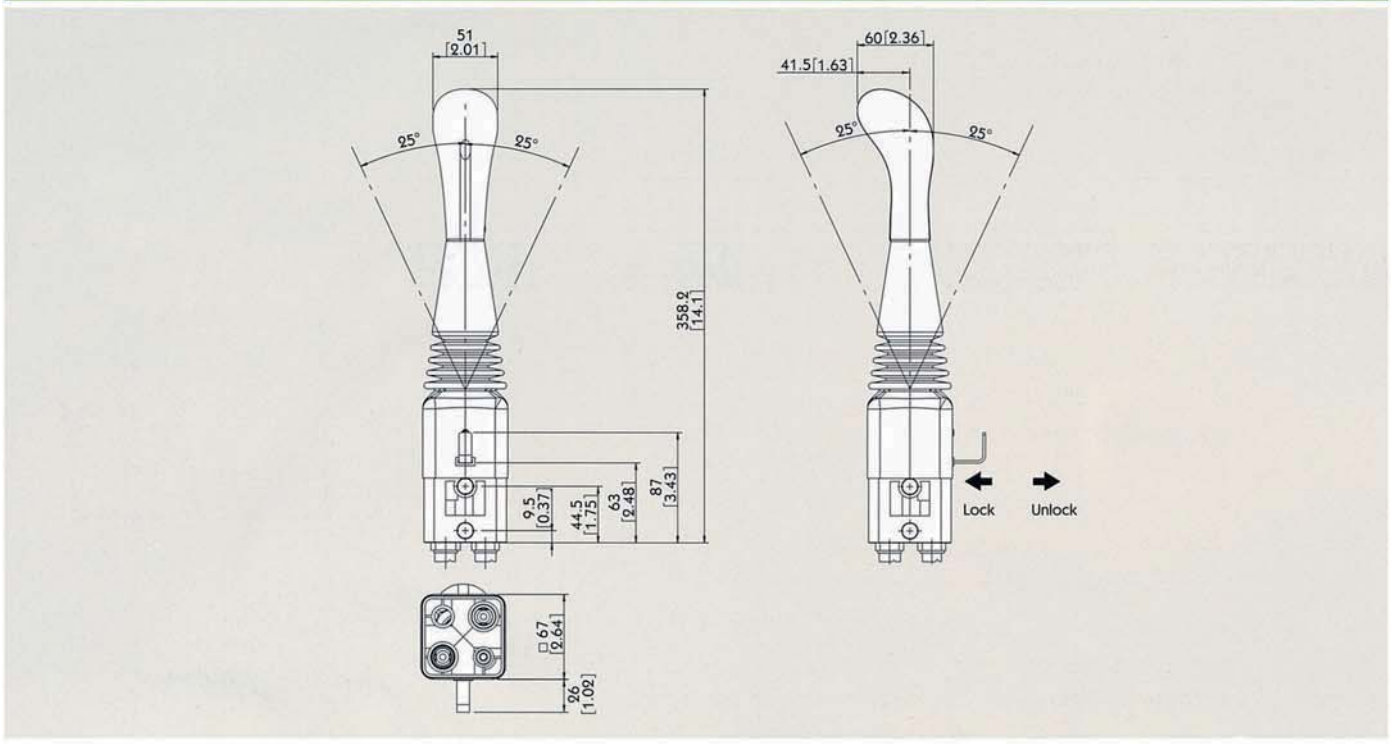
MB-3 A Side

Monoblock Directional Control Valves

MB-3



Type FCR-2



MB-3 B Side Monoblock Directional Control Valves

MB-3

Type 6

6-1 Kit:
DETENT IN POS. 1-0-2, WITHOUT SPRING CENTERED

6-2 Kit:
2 POSITIONS, DETENT IN POS. 0-2, WITHOUT SPRING CENTERED

6-3 Kit:
2 POSITIONS, DETENT IN POS. 1-0, WITHOUT SPRING CENTERED

Type 8D2

8D2 Kit:
WITH SPRING RETURN TO NEUTRAL POSITION AND PIN WITH M8 MALE THREAD FOR DUAL CONTROL

Type 8IM

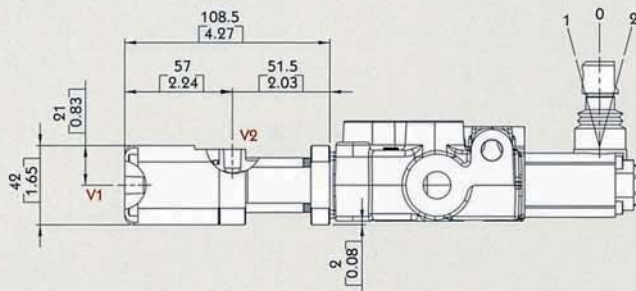
Operating features :
PILOT PRESSURE : MAX. 50 BAR
INTERNAL LEAKAGE A(B) -> T : MAX. 6 CM³/MIN (100 BAR / 40°C)

MB-3 B Side

Monoblock Directional Control Valves

Type 8P

V1 & V2: NPT 1/8 - 27

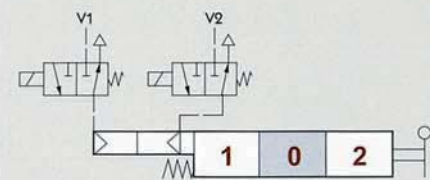
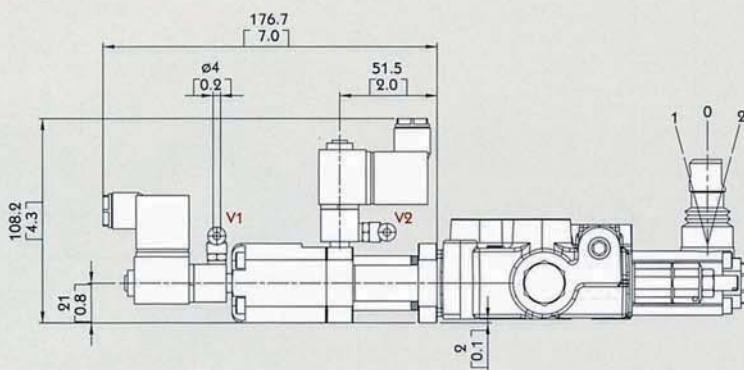


Operating feature :

PILOT PRESSURE (MIN.): 5.5 BAR / 80 PSI
 PILOT PRESSURE (MAX.): 10 BAR / 145 PSI

MB-3

Type 8EP3



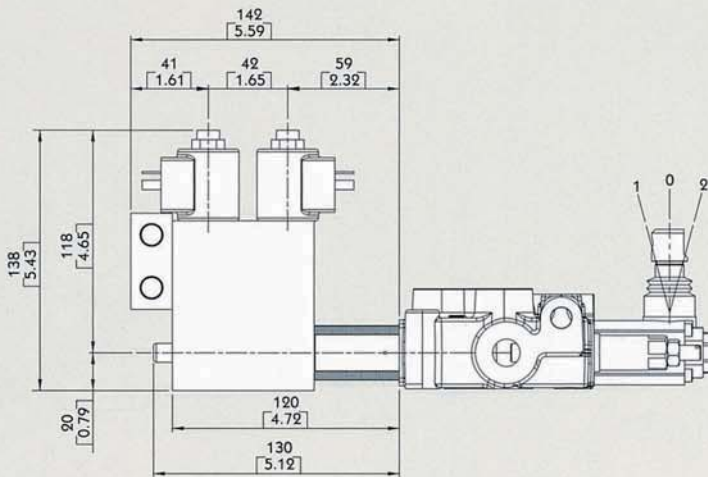
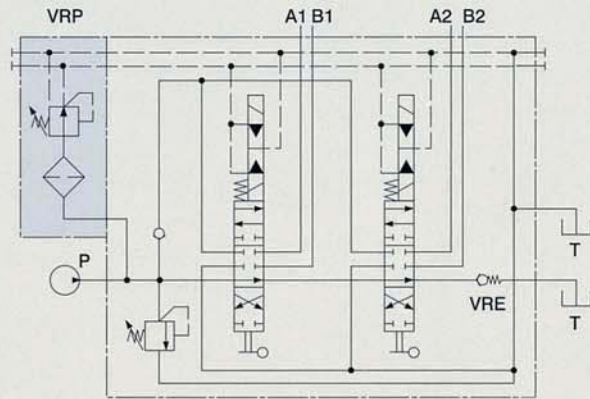
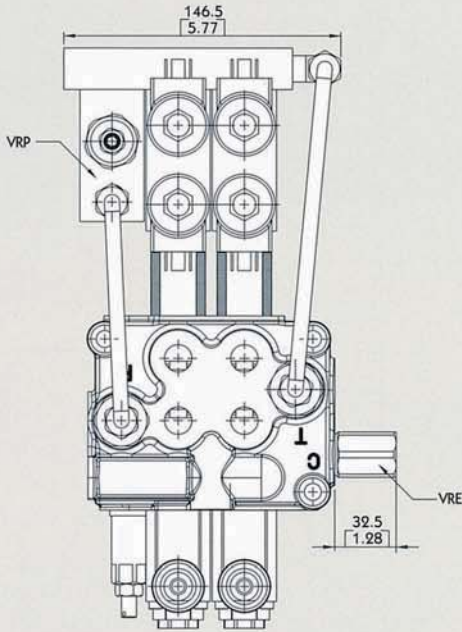
Solenoid operating features :

NOMINAL VOLTAGE: 24VDC
 NOMINAL VOLTAGE TOLERANCE: ±10%
 POWER RATING: 5W

MB-3 B Side Monoblock Directional Control Valves

MB-3

Type 8ED3

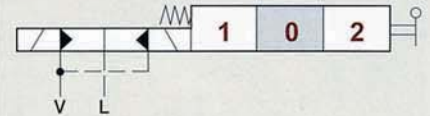


Operating features :

- PILOT PRESSURE:
 - MIN. 10 BAR / 145 PSI
 - MAX. 50 BAR / 725 PSI
- MAX. BACKPRESSURE ON DRAIN L: 25 BAR / 360PSI

Coil features :

- NOMINAL VOLTAGE TOLERANCE: $\pm 10\%$
- ELECTRIC POWER: 21 W
- STANDARD VOLTAGE: 12 VDC / 24 VDC

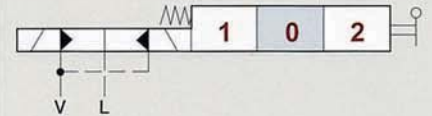
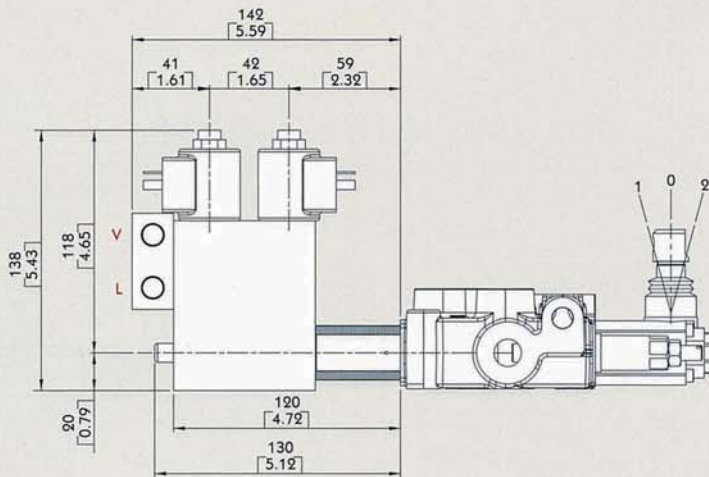
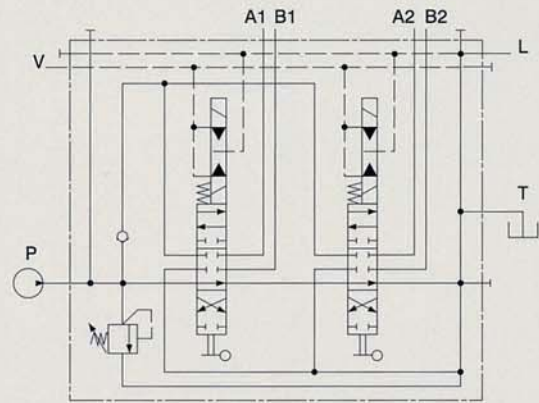
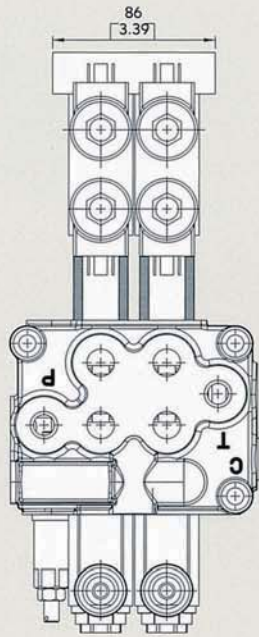


MB-3 B Side

Monoblock Directional Control Valves

MB-3

Type 8ER3



Operating features :

PILOT PRESSURE: • MIN. 10 BAR / 145 PSI
 • MAX. 50 BAR / 725 PSI
 MAX. BACKPRESSURE ON DRAIN L: 25 BAR / 360PSI

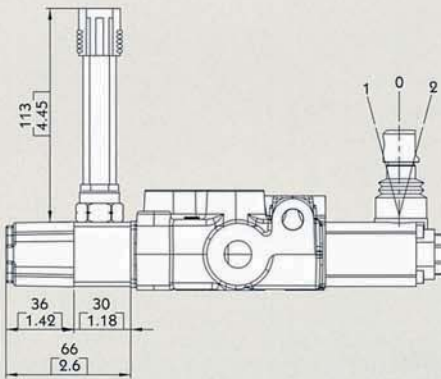
Coil features :

NOMINAL VOLTAGE TOLERANCE: $\pm 10\%$
 ELECTRIC POWER: 21 W
 STANDARD VOLTAGE: 12 VDC / 24 VDC

MB-3 B Side Monoblock Directional Control Valves

MB-3

Type 8MG

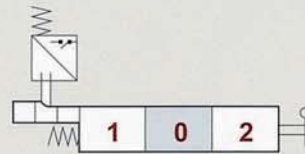


MICROSWITCH
Operating features :

MECHANICAL LITE: • 5X10⁶ OPERATIONS

ELECTRICAL LITE (RESISTIVE LOAD):

- 10⁶ OPERATIONS - 7A / 13.5 VDC
- 5x10⁶ OPERATIONS - 10A / 12 VDC
- 5x10⁶ OPERATIONS - 3A / 28 VDC



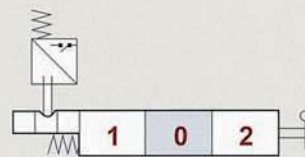
8MG1 Kit:

MICROSWITCH WITH MALE/FEMALE CONNECTOR, OPERATED IN POS. 1



8MG2 Kit:

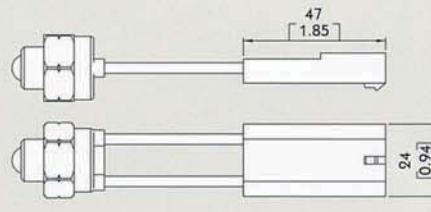
MICROSWITCH WITH MALE/FEMALE CONNECTOR, OPERATED IN POS. 2



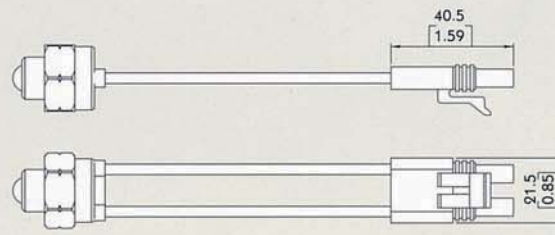
8MG3 Kit:

MICROSWITCH WITH MALE/FEMALE CONNECTOR, OPERATED IN POS. 1 AND POS. 2

With NO contact (female connector with male end)



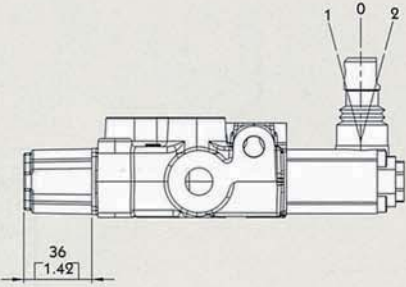



With NC contact (male connector with female end)

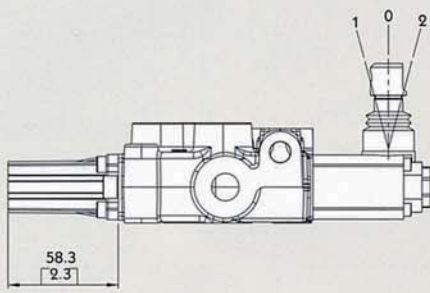
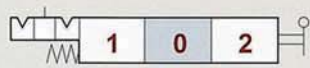




MB-3 B Side

Monoblock Directional Control Valves

MB-3

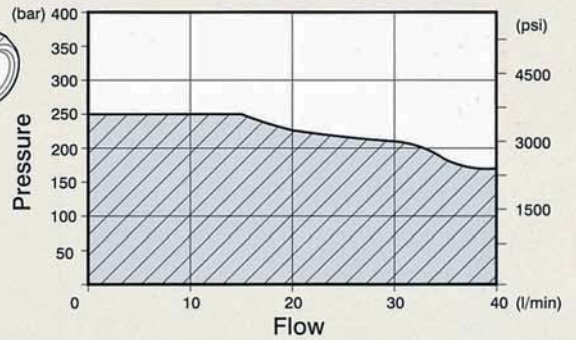
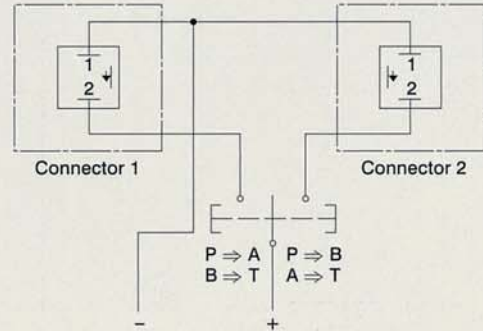
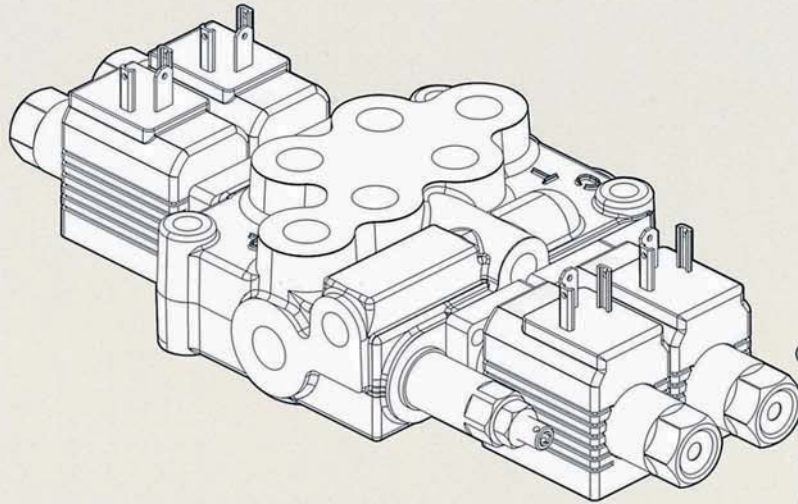
Type 8		
		<p>8 Kit: SPRING RETURN TO NEUTRAL POSITION.</p>
		<p>8-1 Kit: SPRING RETURN TO NEUTRAL POSITION. (2 POSITIONS)</p>
		<p>8-2 Kit: SPRING RETURN TO NEUTRAL POSITION. (2 POSITIONS)</p>

Type 9		
		<p>9-1 Kit: DETENT IN POS. 1, 2 WITH SPRING CENTERED</p>
		<p>9-2 Kit: DETENT IN POS. 2 WITH SPRING CENTERED</p>
		<p>9-3 Kit: DETENT IN POS. 1 WITH SPRING CENTERED</p>

MB-3 B Side (Optional controls) Monoblock Directional Control Valves

MB-3

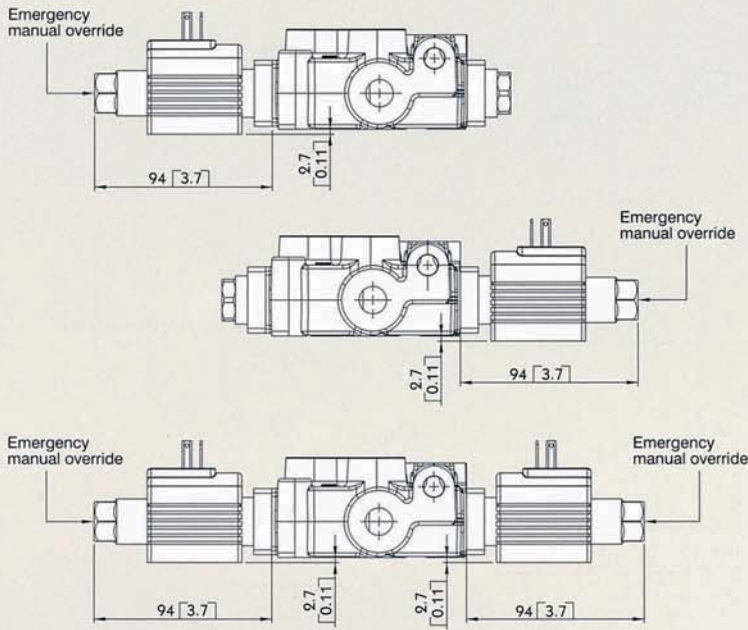
Electric wiring example



Coil features :

NOMINAL VOLTAGE TOLERANCE: $\pm 10\%$
ELECTRIC POWER: 36 W
STANDARD VOLTAGE: 12 VDC / 24 VDC

Type 8ES



8ES1 Kit:
ACTING IN 1



8ES2 Kit:
ACTING IN 2



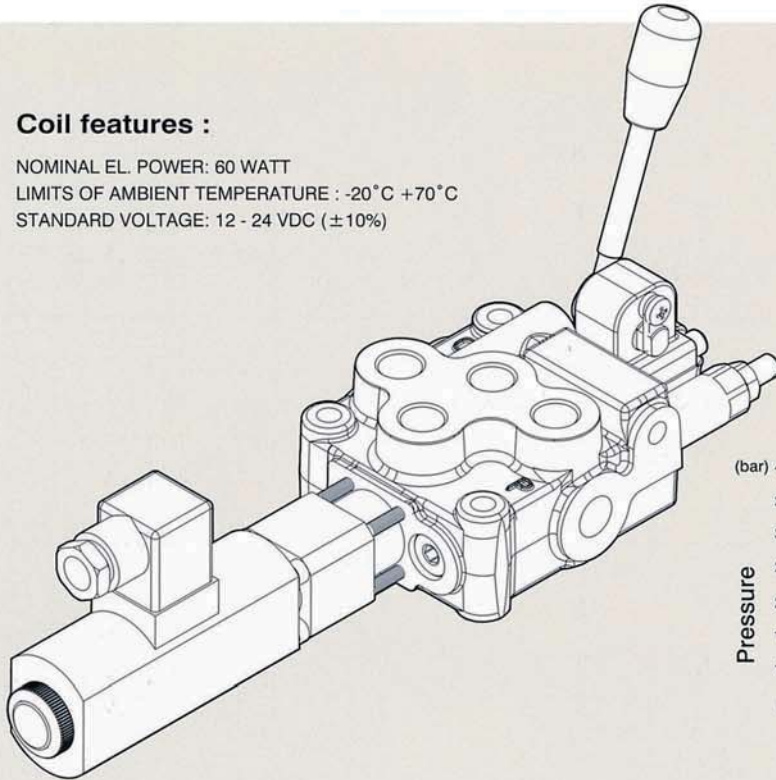
8ES3 Kit:
ACTING IN 1 & 2

MB-3 B Side (Optional controls) Monoblock Directional Control Valves

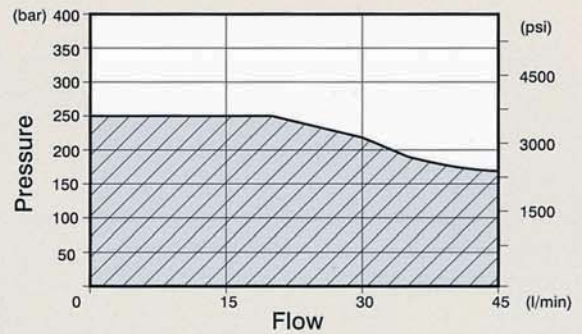
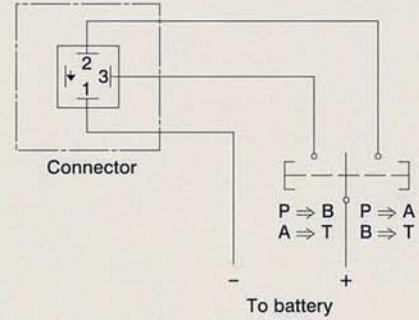
MB-3

Coil features :

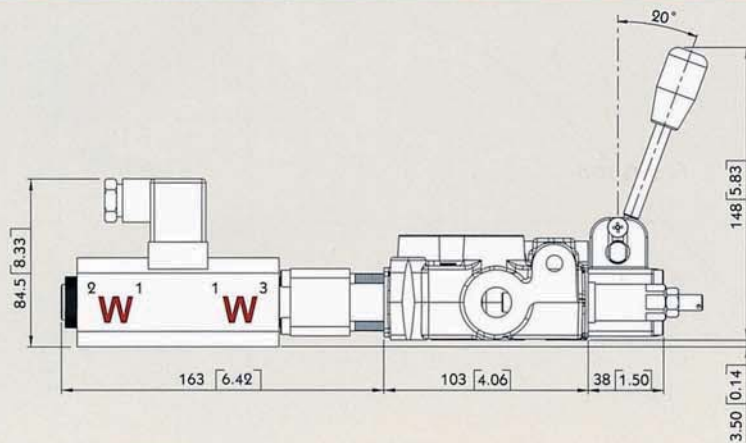
NOMINAL EL. POWER: 60 WATT
LIMITS OF AMBIENT TEMPERATURE : -20°C +70°C
STANDARD VOLTAGE: 12 - 24 VDC (±10%)



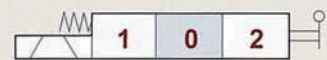
Electric wiring example



Type 8ESN



8ESNLES Kit:

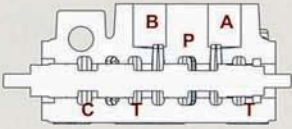
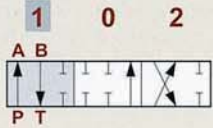
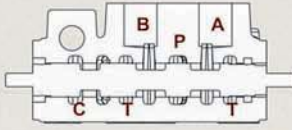
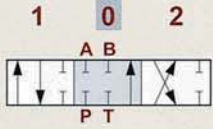
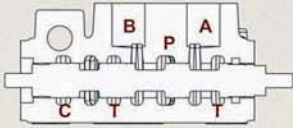
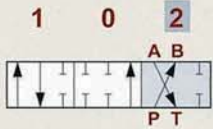
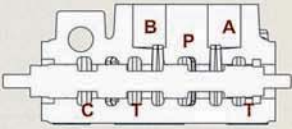
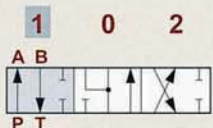
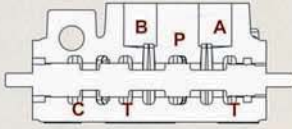
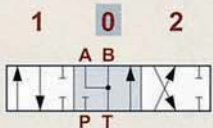
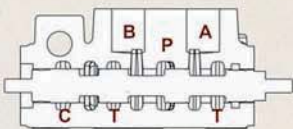



8ESNCAE Kit:



MB-3 Special spool (Options for 8ES Kit) Monoblock Directional Control Valves

MB-3

Type 8ES3#1		
	<p>P → A B → T C closed</p>	
	<p>A & B & P & T closed C open</p>	
	<p>P → B A → T C closed</p>	
Type 8ES3#2		
	<p>P → A B → T C closed</p>	
	<p>A & B → T P closed C open</p>	
	<p>P → B A → T C closed</p>	

MB-3 Special spool (Options for 8ESN Kit) Monoblock Directional Control Valves

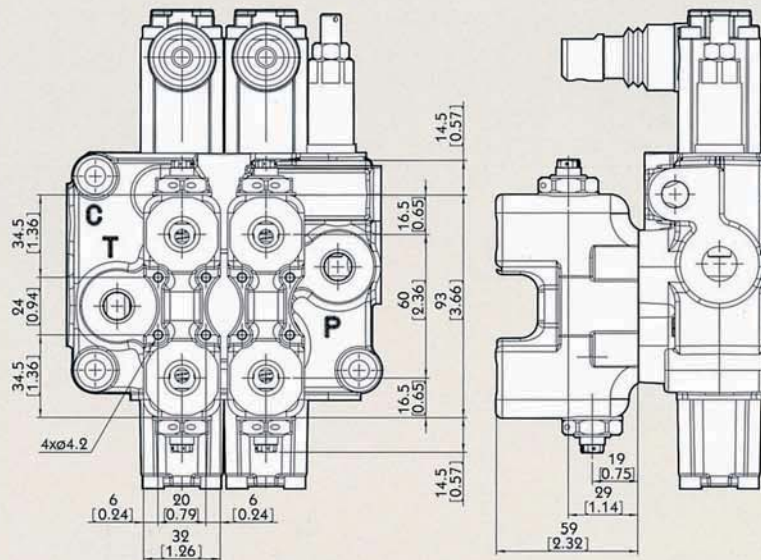
MB-3

Type 8ESN#1		
	<p>P → A B → T C closed</p>	
	<p>P & T & A & B closed C open</p>	
	<p>P → B A → T C closed</p>	
Type 8ESN#2		
	<p>P → A B → T C closed</p>	
	<p>A & B → T P closed C open</p>	
	<p>P → B A → T C closed</p>	

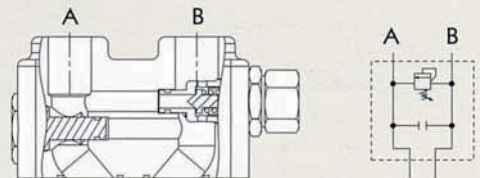
MB-3 Service and auxiliary valves Monoblock Directional Control Valves

MB-3

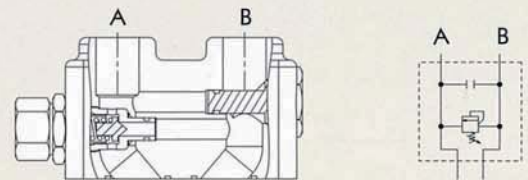
Type P



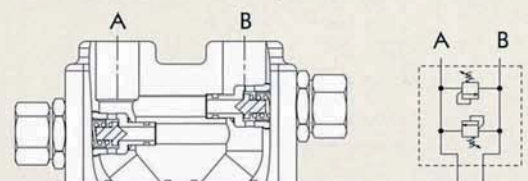
P1 Kit: Block with valve on port A



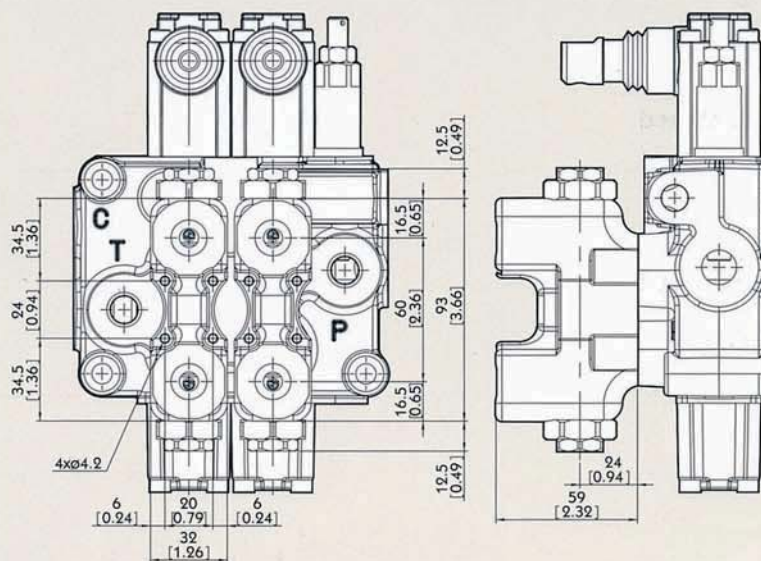
P2 Kit: Block with valve on port B



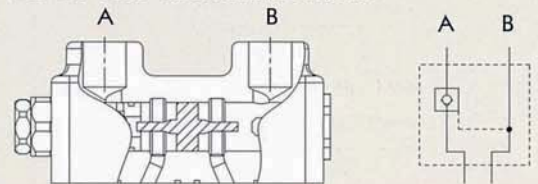
P3 Kit: Block with valve on port A and B



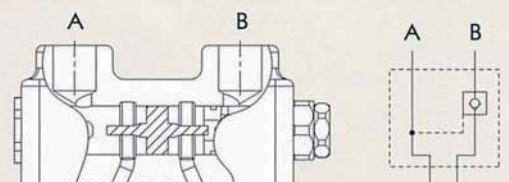
Type BPS Pilot check valves (With Pre-opening, supplied with mounting block)



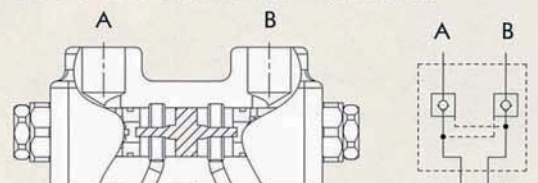
BPS1 Kit: Block with valve on port A



BPS2 Kit: Block with valve on port B



BPS3 Kit: Block with valve on port A and B

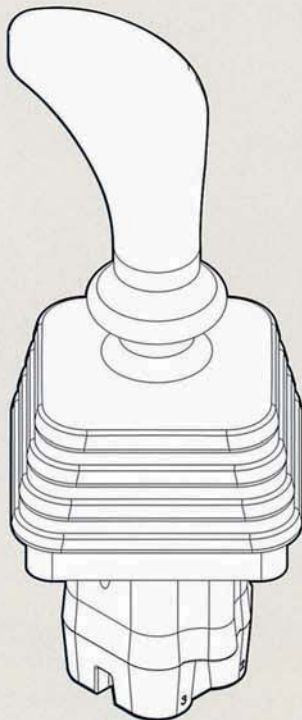


MB-3 Accessories

Sectional Directional Control Valves

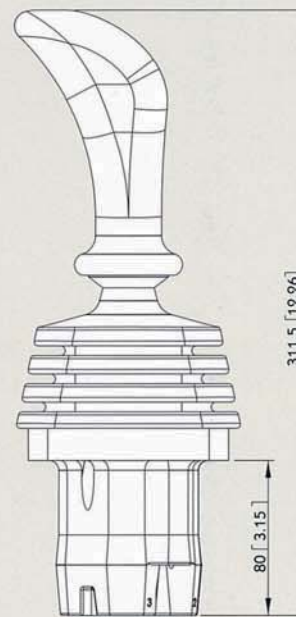
Type JHP-2

MB-3

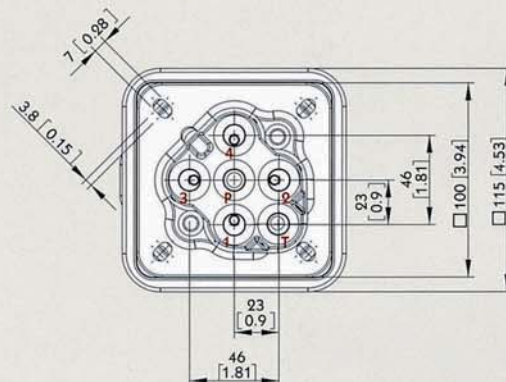
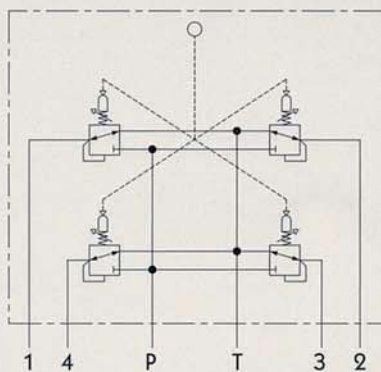


Specifications:

- This data sheet shows technical spec. with mineral oil of 46 mm²/s (cSt) viscosity at 40°C (104°F)
- Flow : 5 ~ 20 LPM
- Feeding pressure : 30 ~ 100 bar
- Max. backpressure : 3 bar
- Internal leakage at 30 bar : 10 ~ 18 cm³/min
- Fluid : mineral oil
- Fluid temperature : - 10 ~ 80°C
- Ambient temperature : - 40 ~ 60°C



HYDRAULIC SCHEME:



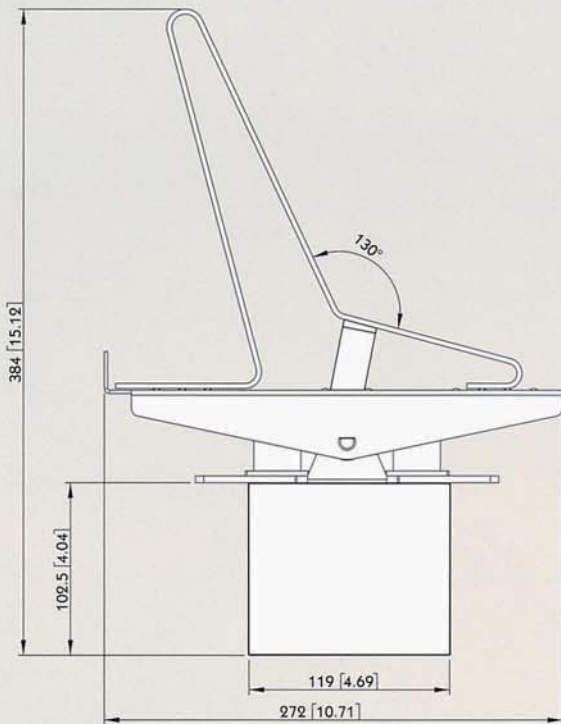
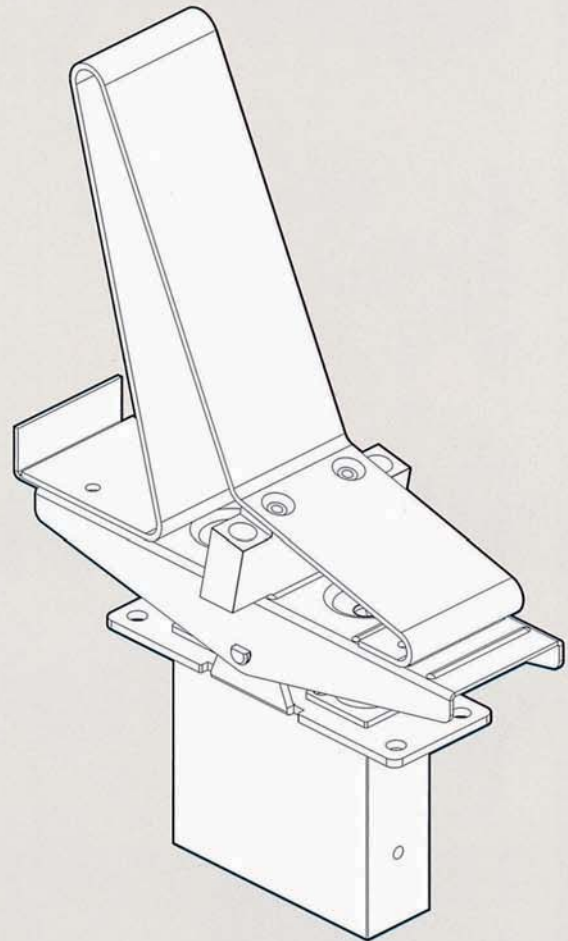
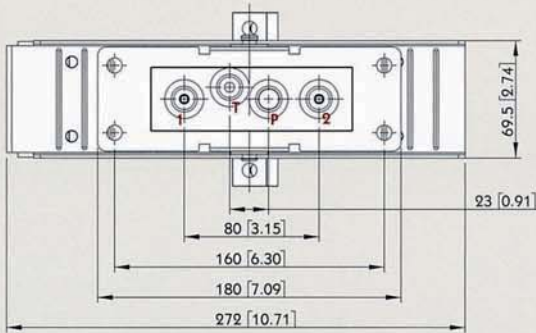
MB-3 Accessories

Sectional Directional Control Valves

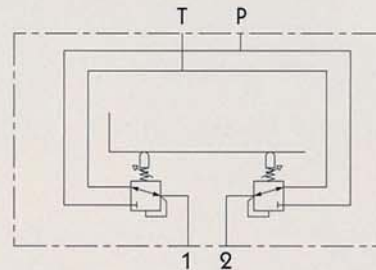
Type PHP-1

Specifications:

- This data sheet shows technical spec. with mineral oil of 46 mm²/s (cSt) viscosity at 40°C (104°F)
- Flow : 5 ~ 20 LPM
- Feeding pressure : 30 ~ 100 bar
- Max. backpressure : 3 bar
- Internal leakage at 30 bar : 10 ~ 18 cm³/min
- Fluid : mineral oil
- Fluid temperature : - 10 ~ 80°C
- Ambient temperature : - 40 ~ 60°C



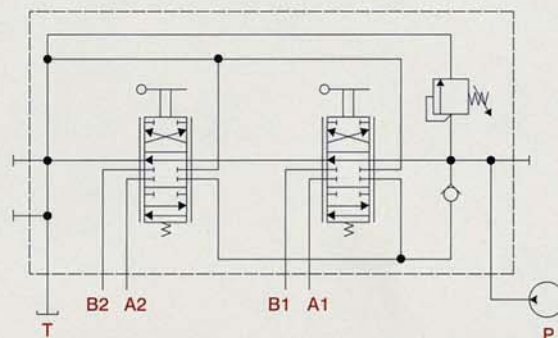
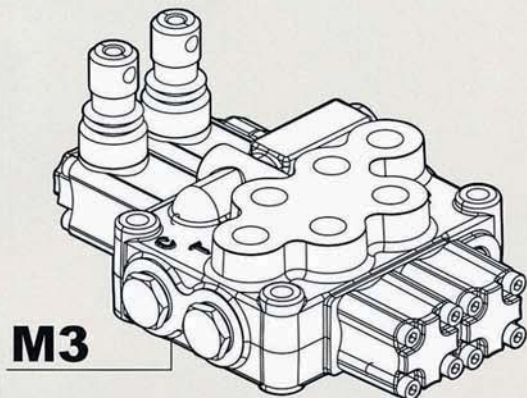
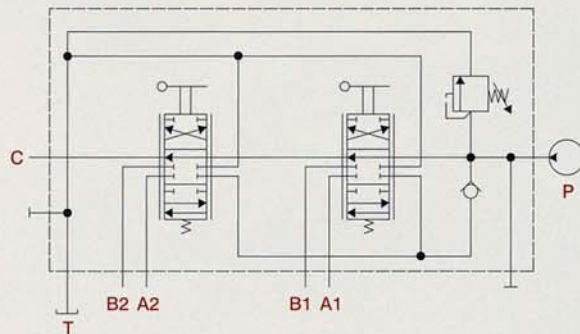
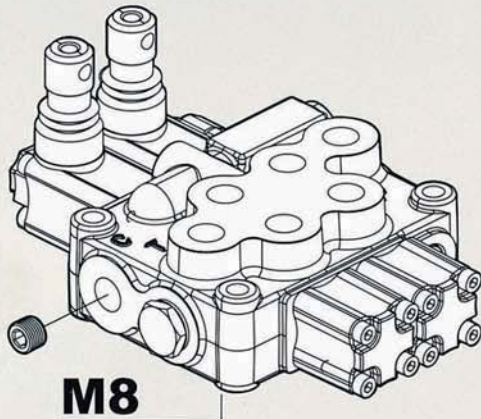
HYDRAULIC SCHEME:



MB-3 Outlet

Monoblock Directional Control Valves

Power Beyond Conversion plug
(Closed center plug)



MB-3