

Explosion proof

► **Standard specification**

ENCLOSURE	Ex d IIB T4 IP67
AMBIENT TEMPERATURE	-20°C~+70°C
INDICATOR	Flat type mechanical indicator (Dome type in option)
LIMIT SWITCHES	2 Each for Open and Close 250VAC/5A
MANUAL OPERATION	By Spanner 5mm
TRAVEL ANGLE	90° +5°
CABLE ENTRY	2-PF1/2



Contents

Model code

Performance Specification ISO5211&stem

Dimension

Wiring

Option table Modulating Control

DC control board 2 wire/3 wire

Local control

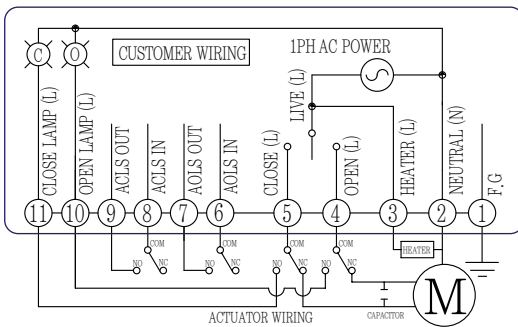
Explosion proof

► **Performance**

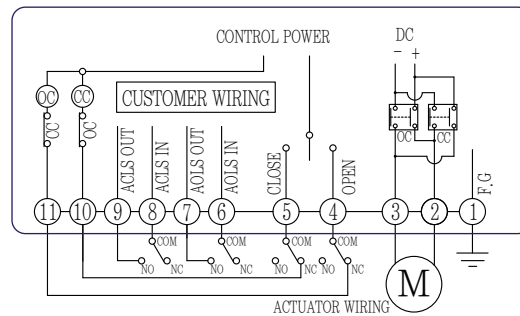
MODEL	MAX TORQUE (Nm)	OPERATING TIME 50Hz/60Hz(sec)	RATED CURRENT (A)			MOTOR CLASS/OUTPUT (AC · DC)	MANUAL TURNS
			AC (1PH) 50/60Hz		DC		
			110V	220V			
KP010-5G	25	8 / 6.5	0.67/0.6	0.23/0.2	2	E · B/10W · 10W	6
KP010-6G	60	18 / 15	0.67/0.6	0.23/0.2	2	E · B/10W · 10W	6
KP010-7G	80	34 / 28	0.67/0.6	0.23/0.2	2	E · B/10W · 10W	6
KP010-8G	100	42 / 35	0.67/0.6	0.23/0.2	2	E · B/10W · 10W	6

► **Drawing**

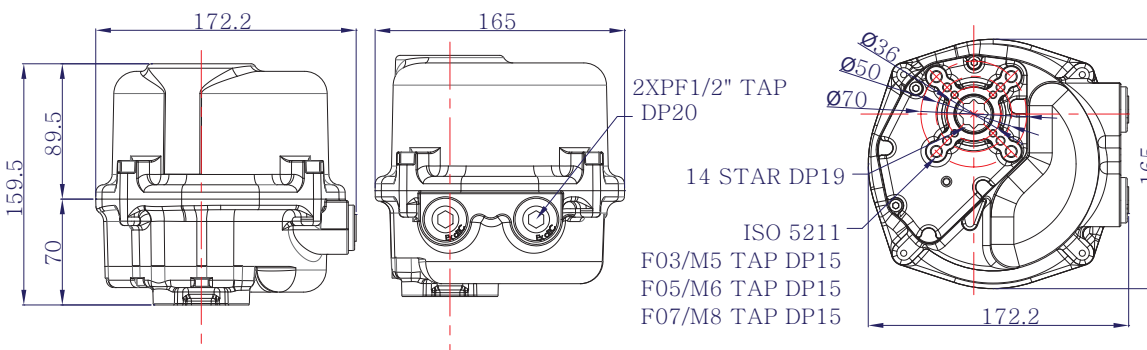
► **AC 1PH**



► **DC 24V**



► **Dimension table**



► ISO5211 & stem

	Standard	Option	Wt (Kg)
KE002	F03/05, 11*11		0.9
KE004	F03/05/07, 11*11	14*14	1.5
KE005	F03/05/07, 14*14	11*11	1.3
KE006	F03/05/07, 14*14		1.9
KE008	F03/05/07, 14*14	F05/07, 17*17	2.6
KE010	F05/07, 14*14	17*17	3.0
KE016	F05/07/10, 17*17		6.2
KE028	F07/10, 22*22	F07/10/12, 27*27	8.9
KE040	F07/10, 22*22	F07/10/12, 27*27	9.4
KE050	F07/10, 22*22	F07/10/12, 27*27	9.4
KE080	F10/12, 36*36	F10/14, 36*36	26.0
KE120	F10/12, 36*36	F10/14, 36*36	26.0
KP010	F03/05/07, 14*14		6.3

► Option table

Option	Description	Model											
		KE002	KE004	KE005	KE006	KE008	KE010	KE016	KE028	KE040	KE050	KE080	KE120
WT	Watertight (IP68 5m 120hr)	○	○	○	○	○	○	○	○	○	○	○	○
TS	Electric Torque switches							○	○	○	○	○	○
MC	Modulating Control (4-20mA)	1ph	○	○	○	○	○	○	○	○	○	○	○
SM	Modulating control (4-20mA, 0-1V, 2-10V, 0-5V, 1-5V)	1ph	○	○	○	○			○	○	○	○	○
		24v dc	○	○	○	○	○	○	○	○			
LC	Local Control (Electric torque switch included)	1ph							○	○	○	○	○
		3ph							○	○	○	○	○
LM	Local and Modulating control (Electric torque switch included)	1ph							○	○	○	○	○
		3ph							○	○	○	○	○
C2	24V DC Control board (2 Wire)	○	○		○								
C3	24V DC Control board (3 Wire)	○	○	Standard Included	○								
TP	Thermal Protection												(Only AC) Standard Included
HT	Heater			(Only AC) Standard Included									(Only AC) Standard Included
TH	Thermal Protection and Heater	○	○		○								