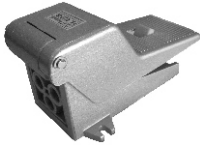


3/2 & 4/2 way Mechanical Foot Valve

4F210- -L



4F210-



FV320 /FV420



4F210 - -L-G



Ordering Code

4F210 - 08 - L - G

4F210 - 5/2 way Foot Valve

08 - G 1/4"

Blank - Without Lock

L - With Lock

G - With Guard

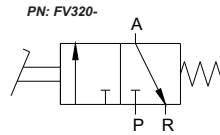
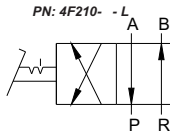
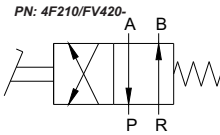
FV - 320

FV - Compact Foot Valve

320 - 3/2 way Foot Valve

420 - 5/2 way Foot Valve

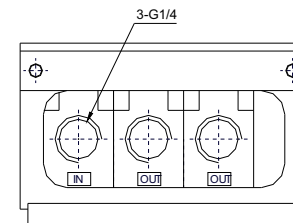
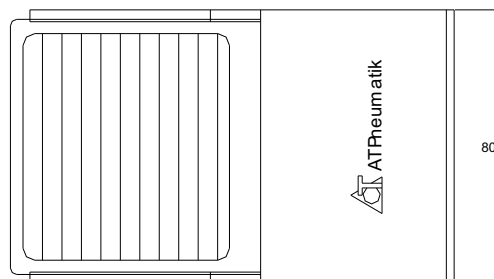
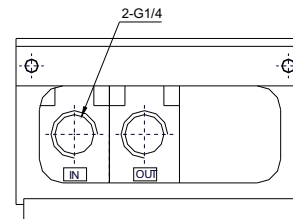
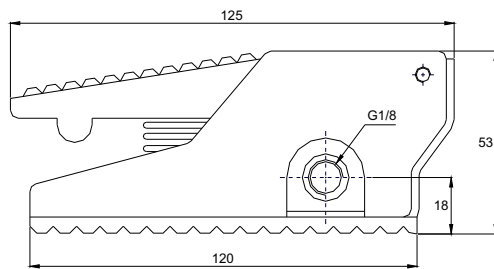
08 - G 1/4"



Foot Valve Specification

Part Number	4F210-08	4F210-08L	4F210-08G	4F210-08LG	FV420	FV320
Working Medium	40 Micron Filtered Air					
Type	4/2 way				4/2 way	3/2 way
Port Connection	Air Supply, Output Port = G1/4" Exhaust = Built-in Silencer				Air Supply, Output Port = G1/4" Exhaust Port = G1/8"	
Motion Pattern	Direct Drive Type					
Working Pressure	0~1.0 Mpa, 150 psi					
Working Temperature	0~60°C					

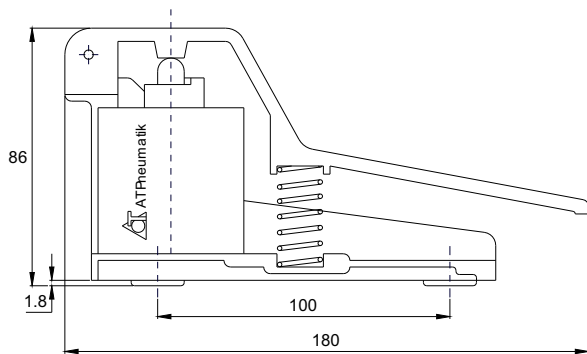
FV320 / FV420 - 4/3 way Hand Lever valve



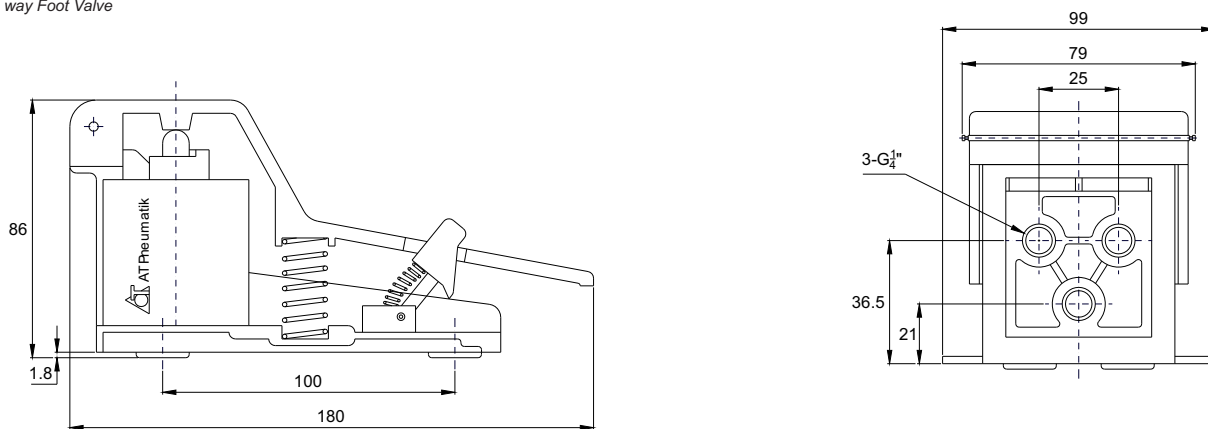
Dimensions are in mm

Mechanical Foot Valve

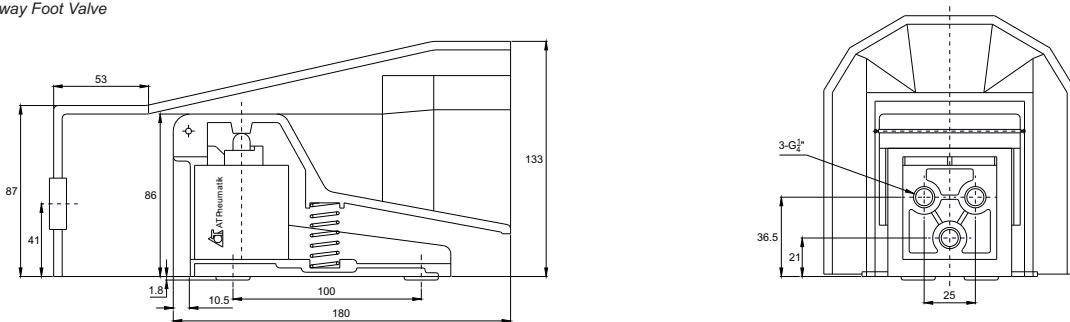
FV 210 - 5/2 way Foot Valve



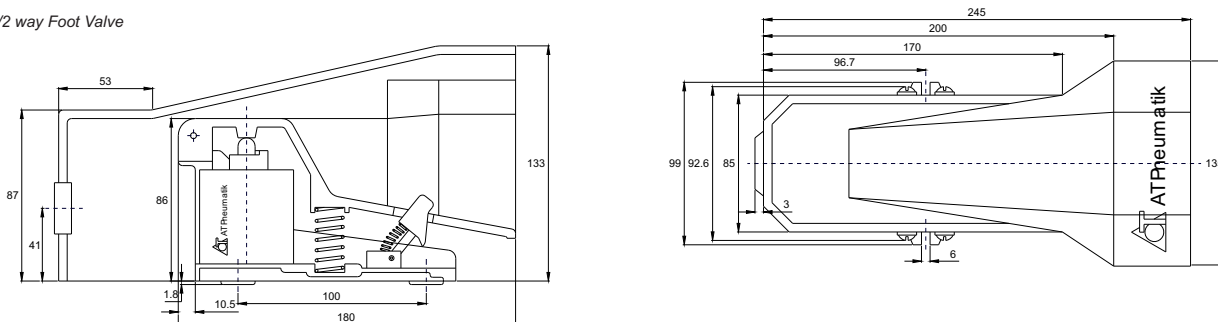
FV 210 -L 5/2 way Foot Valve



FV 210 - G 5/2 way Foot Valve



FV 210 - LG 5/2 way Foot Valve



Dimensions are in mm