

Air Filter + Regulator + Lubricator

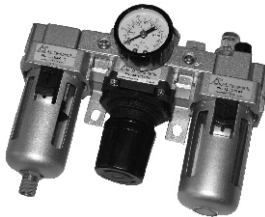
AC1000



AC2000



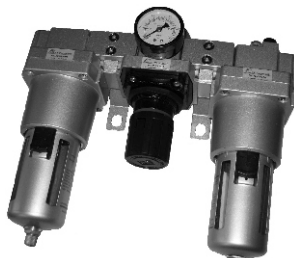
AC3000



AC4000



AC5000

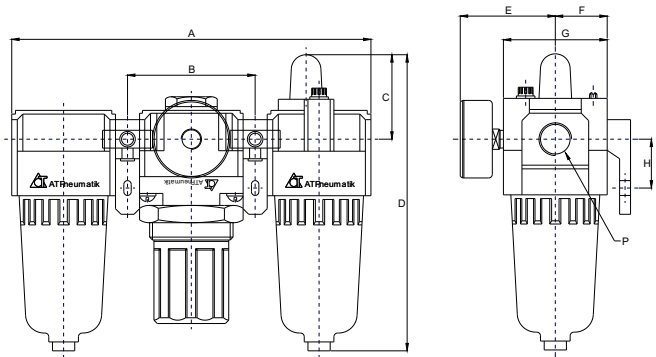


1000 and 2000 Series Air Filter + Regulator + Lubricator						
Part Number	AC1000-M5	AC2000-01	AC2000-02	AC1000-M5D	AC2000-01D	AC2000-02D
	Manual Drain			Automatic Drain		
Port Size	M05	G 1/8"	G 1/4"	M05	G 1/8"	G 1/4"
Pressure Gauge Connection	1/16"	G 1/8"	G 1/8"	1/16"	G 1/8"	G 1/8"
Flow Rate (l/min)	90	500	500	90	500	500
Working Pressure	1 Mpa, 10 Kgf/cm ² , 150 psi					
Regulating Pressure	0.05 to 0.85 Mpa					
Working Temperature	5 to 60°C					
Recommended Lubricant	SAE10					
Bowl Material	Polycarbonate					
Filter Element	Bronze 5, 20, 25 μ					
Metal Guard Bowl	Not Available					

3000 series Air Filter + Regulator + Lubricator				
Part Number	AC3000-02	AC-3000-03	AC3000-02D	AC3000-03D
	Manual Drain		Automatic Drain	
Port Size	1/4"	3/8"	1/4"	3/8"
Pressure Gauge Connection	1/8"	1/8"	1/8"	1/8"
Flow Rate (l/min)	2000	2000	2000	2000
Working Pressure	1 Mpa, 10 Kgf/cm ² , 150 psi			
Regulating Pressure	0.05 to 0.85 Mpa			
Working Temperature	5 to 60°C			
Recommended Lubricant	SAE10			
Bowl Material	Polycarbonate			
Filter Element	Bronze 5, 20, 25 μ			
Metal Guard Bowl	Available			

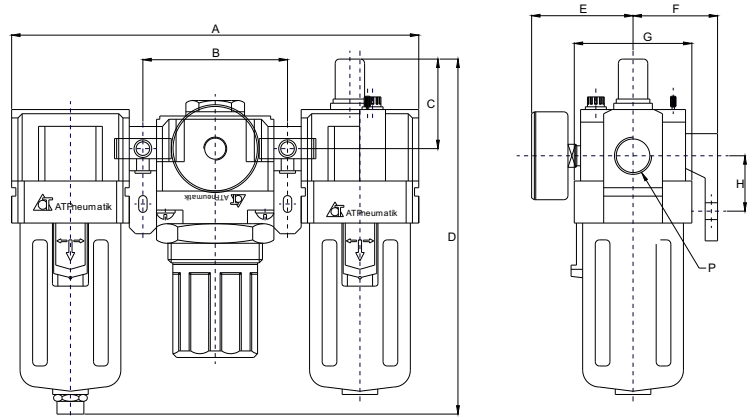
4000 Series Air Filter + Regulator + Lubricator						
Part Number	AC4000-03	AC4000-04	AC4000-06	AC4000-03D	AC400-04D	AC4000-06D
	Manual Drain			Automatic Drain		
Port Size	G 3/8"	G 1/2"	G 3/4"	G 3/8"	G 1/2"	G 3/4"
Pressure Gauge Connection	G 1/4"	G 1/4"	G 1/4"	G 1/4"	G 1/4"	G 1/4"
Flow Rate (l/min)	4000	4000	4500	4000	4000	4500
Working Pressure	1 Mpa, 10 Kgf/cm ² , 150 psi					
Regulating Pressure	0.05 to 0.85 Mpa					
Working Temperature	5 to 60°C					
Recommended Lubricant	SAE10					
Bowl Material	Polycarbonate					
Filter Element	Bronze 5, 20, 25 μ					
Metal Guard Bowl	Available					

5000 Series Air filter + Regulator + Lubricator				
Part Number	AC5000-06	AC5000-10	AC5000-06D	AC5000-10D
	Manual Drain		Automatic Drain	
Port Size	G 3/4"	G 1"	G 3/4"	G 1"
Pressure Gauge Connection	G 1/4"	G 1/4"	G 1/4"	G 1/4"
Flow Rate (l/min)	5000	5000	5000	5000
Working Pressure	1 Mpa, 10 Kgf/cm ² , 150 psi			
Regulating Pressure	0.05 to 0.85 Mpa			
Working Temperature	5 to 60°C			
Recommended Lubricant	SAE10			
Bowl Material	Polycarbonate			
Filter Element	Bronze 5, 20, 25 μ			
Metal Guard Bowl	Available			

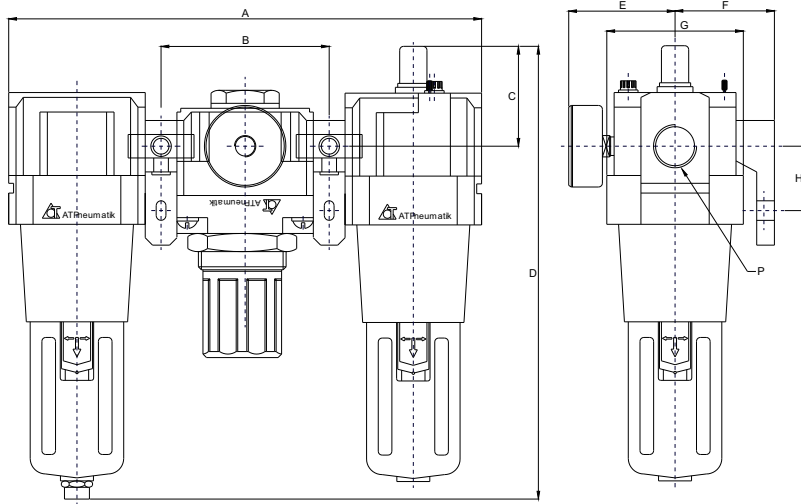


AC1000-
AC2000-

AC3000-
AC4000-



AC5000-



Air Filter + Regulator + Lubricator Dimensions									
Part Number	P (Port Size)	A	B	C	D	E	F	G	H
AC1000-M5	M05	109.5	50.5	29	58	26	25	25	20
AC2000-01	G 1/8"	164.5	78	45	90	56.8	30	40	24
AC2000-02	G 1/4"	164.5	78	45	90	56.8	30	40	24
AC3000-02	G 1/4"	211	92.5	58.5	117	60.8	41	53	35
AC3000-03	G 3/8"	211	92.5	58.5	117	60.8	41	53	35
AC4000-03	G 3/8"	262	112	77	154	70.5	41	70	40
AC4000-04	G 1/2"	262	112	77	154	70.5	41	70	40
AC4000-06	G 3/4"	267	114	82	164	70.5	50	70	40
AC5000-06	G 3/4"	338	116	97.5	195	75.5	69.8	90	50
AC5000-10	G 1"	338	116	97.5	195	75.5	69.8	90	50

Dimensions are in mm