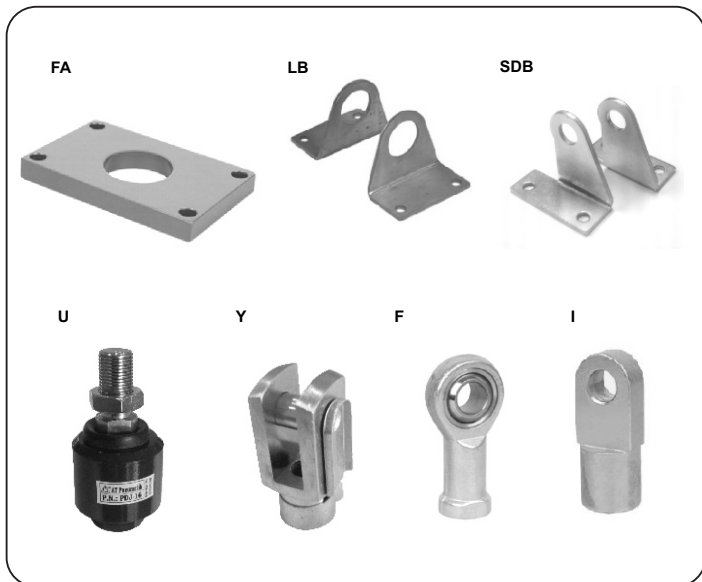


MA / MAL Cylinder Mountings and Piston Rod Adaptors

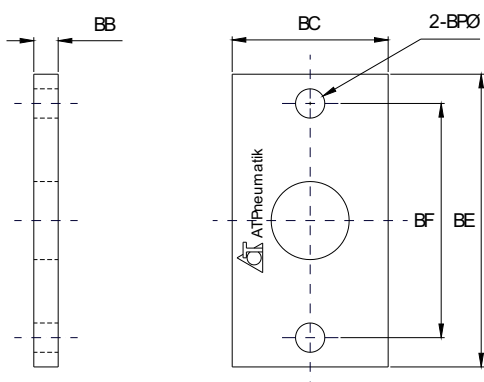


Ordering Code

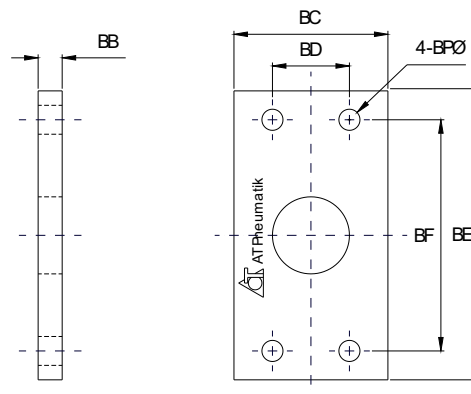
- MA** - **LB** - **32**
- MA** - Stainless Steel Cylinder
 - MAL** - Aluminum Cylinder
 - LB** - Foot Mounting
 - FA** - Front / Rear Mounting
 - SDB** - Clevis Mounting
 - CB** - Female Clevis Mounting
 - Y** - Y-Knuckle Piston Rod Adaptor
 - I** - I-Knuckle Piston Rod Adaptor
 - PHS** - Floating Joint Piston Rod Adaptor
 - PDJ** - Universal Joint Piston Rod Adaptor
 - 32** - Cylinder Bore Diameter (mm)

MA/MAL Pneumatic Cylinder mountings and Piston rod adaptors are made of Low Carbon Steel materials.

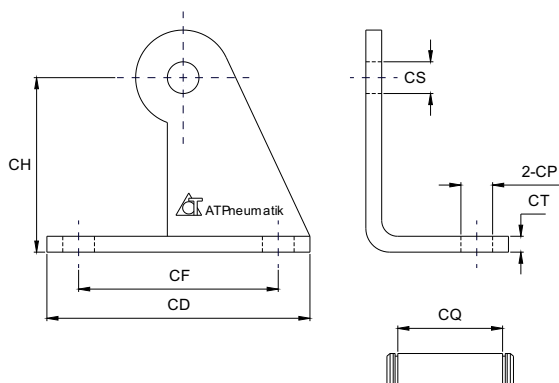
MA / MAL - FA - 20 & 32 Flange Mounting



MA / MAL - FA - 32 & 40 Flange Mounting



MA / MAL - SDB Clevis Mounting



MA / MAL - FA Dimension

| Bore | BB | BC | BD | BE | BF | BP |
|------|----|----|----|----|----|-----|
| 20 | 4 | 38 | - | 64 | 50 | 6.5 |
| 25 | 4 | 38 | - | 64 | 50 | 6.5 |
| 32 | 4 | 47 | 33 | 72 | 58 | 6.5 |
| 40 | 4 | 50 | 36 | 84 | 70 | 6.5 |

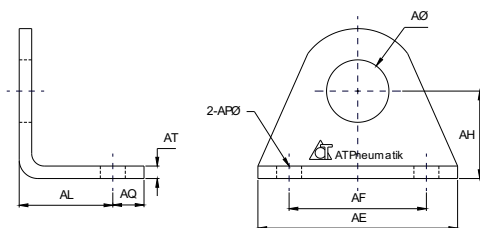
MA / MAL - SDB Dimension

| Bore | D | CD | CE | CF | CH | CT | CP | CQ | CS |
|------|----|----|----|----|----|----|-----|----|----|
| 20 | 21 | 48 | 67 | 32 | 32 | 3 | 6.5 | 22 | 8 |
| 25 | 21 | 48 | 67 | 32 | 32 | 3 | 6.5 | 22 | 8 |
| 32 | 27 | 52 | 67 | 36 | 36 | 4 | 6.5 | 24 | 10 |
| 40 | 27 | 56 | 71 | 40 | 40 | 4 | 6.5 | 28 | 12 |

Dimensions are in mm

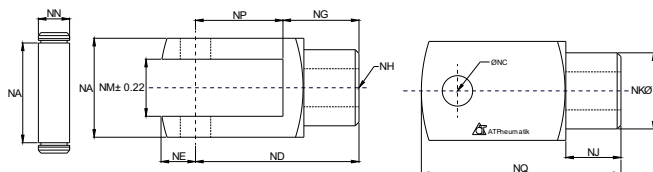
MA / MAL Cylinder Mountings and Piston Rod Adaptors

MA / MAL - LB Foot Mounting

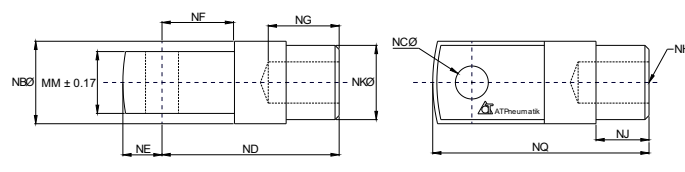


| MA / MAL - LB Dimension | | | | | | | | |
|-------------------------|----|----|----|----|-----|-----|-----|----|
| Bore | AE | AF | AL | AQ | AP | AT | AH | A |
| 20 | 54 | 40 | 15 | 8 | 6.5 | 3.2 | 325 | 22 |
| 25 | 54 | 40 | 15 | 8 | 6.5 | 3.2 | 25 | 22 |
| 32 | 59 | 45 | 25 | 8 | 6.5 | 4 | 32 | 24 |
| 40 | 64 | 50 | 25 | 8 | 6.5 | 4.5 | 36 | 30 |

Y-knuckle Piston Rod Adaptor



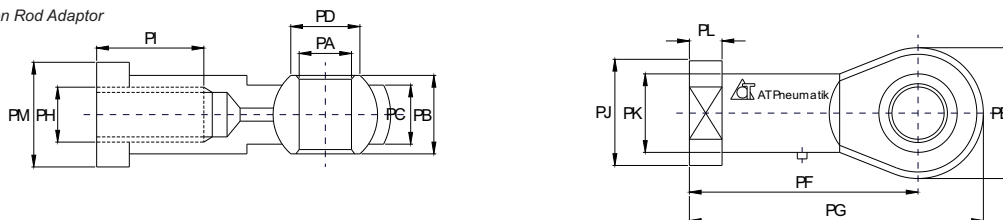
I-knuckle Piston Rod Adaptor



Y / I Knuckle Piston Rod Adaptor Dimension

| Bore | NA | NB | NC | ND | NE | NF | NG | NH | NJ | NK | NL | NM | NN | NP | NQ |
|------|------|----|----|-----|----|----|----|------------|----|----|----|----|----|----|----|
| 20 | 16 | 16 | 8 | 30 | 14 | 11 | 15 | M08 X 1.25 | 10 | 16 | 21 | 8 | 8 | 15 | 40 |
| 25 | 19 | 20 | 10 | 40 | 18 | 13 | 20 | M10 X 1.25 | 12 | 20 | 25 | 10 | 10 | 20 | 52 |
| 32 | 19 | 20 | 10 | 40 | 18 | 13 | 20 | M10 X 1.25 | 12 | 20 | 25 | 10 | 10 | 20 | 52 |
| 40 | 25.4 | 25 | 10 | 4.5 | 23 | 15 | 25 | M12 X 1.25 | 15 | 25 | 31 | 14 | 4 | 20 | 57 |

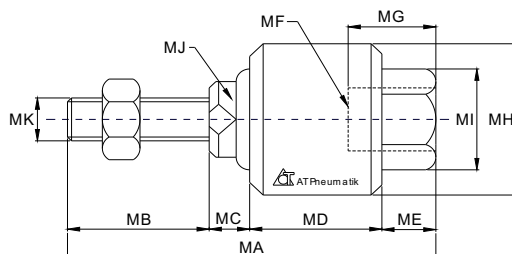
PHS Floating Joint Piston Rod Adaptor



Floating Joint Piston Rod Adaptor Dimension

| Bore | PA | PB | PC | PD | PE | PF | PH | PI | PJ | PK | PL | PM |
|------|----|----|----|------|----|----|------------|----|----|------|-----|----|
| 20 | 8 | 12 | 9 | 10.4 | 22 | 36 | M08 X 1.25 | 17 | 16 | 12.5 | 5 | 14 |
| 25 | 10 | 14 | 11 | 12.9 | 26 | 43 | M10 X 1.25 | 21 | 19 | 15 | 6.5 | 17 |
| 32 | 10 | 14 | 11 | 12.9 | 26 | 43 | M10 X 1.25 | 21 | 19 | 15 | 6.5 | 17 |
| 40 | 12 | 16 | 12 | 15.4 | 30 | 50 | M12 X 1.25 | 24 | 22 | 17.5 | 6.5 | 19 |

PDJ Universal Joint Piston Rod Adaptor



Universal Joint Piston Rod Adaptor Dimension

| Bore | MA | MB | MC | MD | ME | MF | MG | MH | MI | MJ | MK |
|------|----|----|----|----|----|------------|----|----|----|----|------------|
| 20 | 51 | 20 | 6 | 17 | 8 | M08 X 1.25 | 12 | 24 | 13 | 8 | M08 X 1.25 |
| 25 | 58 | 22 | 7 | 21 | 8 | M10 X 1.25 | 12 | 26 | 17 | 10 | M10 X 1.25 |
| 32 | 58 | 22 | 7 | 21 | 8 | M10 X 1.25 | 12 | 26 | 17 | 10 | M10 X 1.25 |
| 40 | 58 | 22 | 8 | 21 | 7 | M12 X 1.25 | 12 | 28 | 19 | 2 | M12 X 1.25 |

Dimensions are in mm