

## Air Filter Pressure Regulator

AW1000



AW2000



1000 and 2000 Series Air Filter Regulator						
Part Number	AW1000-M5	AW2000-01	AW2000-02	AW1000-M5D	AW2000-01D	AW2000-02D
	Manual Drain			Automatic Drain		
Port Size	M05	G 1/8"	G 1/4"	M05	G 1/8"	G 1/4"
Pressure Gauge Connection	1/16"	G 1/8"	G 1/8"	1/16"	G 1/8"	G 1/8"
Flow Rate (l/min)	100	550	550	100	550	550
Working Pressure	1 Mpa, 10 Kgf/cm <sup>2</sup> , 150 psi					
Regulating Pressure	0.05 to 0.85 Mpa					
Working Temperature	5 to 60°C					
Bowl Material	Polycarbonate					
Filter Element	Bronze 5, 20, 25 μ					
Metal Guard Bowl	Not Available					

AW3000



3000 Series Air Filter Regulator				
Part Number	AW3000-02	AW-3000-03	AW3000-02D	AW3000-03D
	Manual Drain		Automatic Drain	
Port Size	G 1/4"	G 3/8"	G 1/4"	G 3/8"
Pressure Gauge Connection	G 1/8"	G 1/8"	G 1/8"	G 1/8"
Flow Rate (l/min)	2000	2000	2000	2000
Working Pressure	1 Mpa, 10 Kgf/cm <sup>2</sup> , 150 psi			
Regulating Pressure	0.05 to 0.85 Mpa			
Working Temperature	5 to 60°C			
Bowl Material	Polycarbonate			
Filter Element	Bronze 5, 20, 25 μ			
Metal Guard Bowl	Available			

AW4000

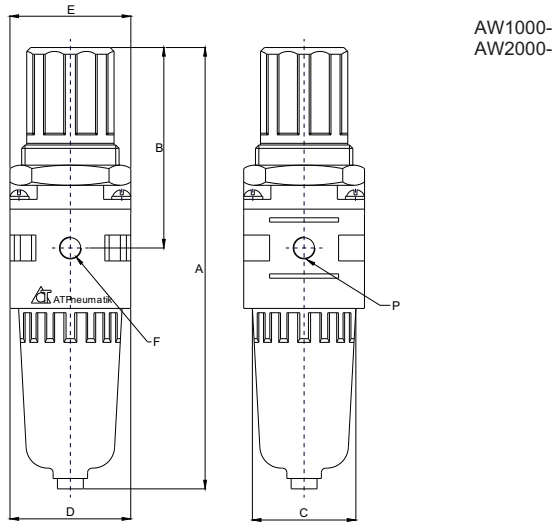


4000 Series Air Filter Regulator						
Part Number	AW4000-03	AW4000-04	AW4000-06	AW4000-03D	AW400-04D	AW4000-06D
	Manual Drain			Automatic Drain		
Port Size	G 3/8"	G 1/2"	G 3/4"	G 3/8"	G 1/2"	G 3/4"
Pressure Gauge Connection	G 1/4"	G 1/4"	G 1/4"	G 1/4"	G 1/4"	G 1/4"
Flow Rate (l/min)	4000	4000	4500	4000	4000	4500
Working Pressure	1 Mpa, 10 Kgf/cm <sup>2</sup> , 150 psi					
Regulating Pressure	0.05 to 0.85 Mpa					
Working Temperature	5 to 60°C					
Bowl Material	Polycarbonate					
Filter Element	Bronze 5, 20, 25 μ					
Metal Guard Bowl	Available					

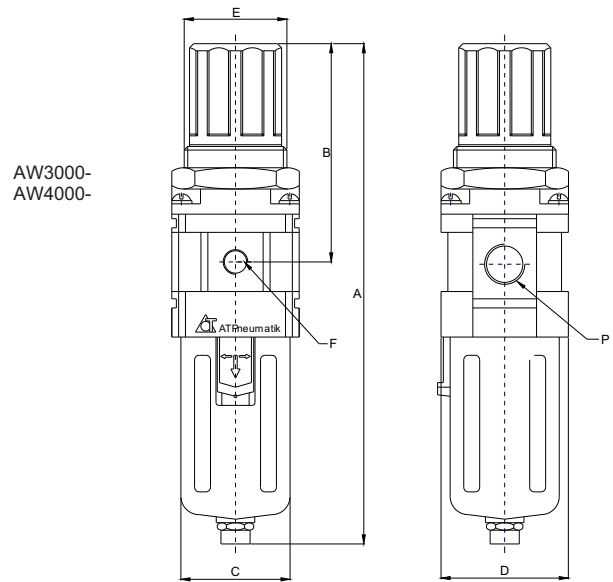
AW5000



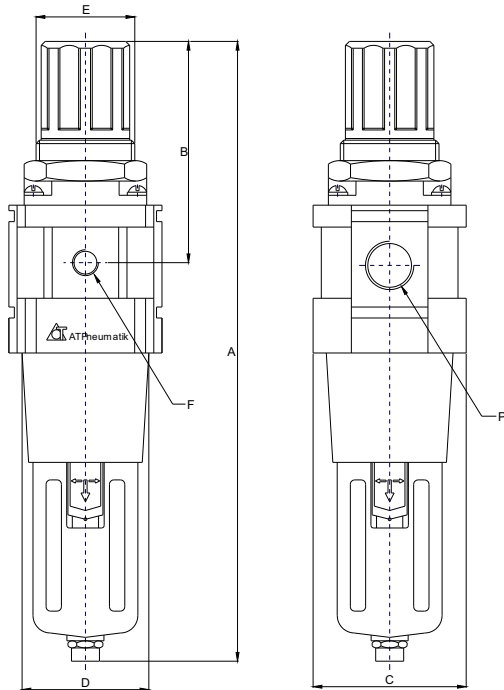
5000 Series Air Filter Regulator				
Part Number	AW5000-06	AW5000-10	AW5000-06D	AW5000-10D
	Manual Drain		Automatic Drain	
Port Size	G 3/4"	G 1"	G 3/4"	G 1"
Pressure Gauge Connection	G 1/4"	G 1/4"	G 1/4"	G 1/4"
Flow Rate (l/min)	5500	5500	5500	5500
Working Pressure	1 Mpa, 10 Kgf/cm <sup>2</sup> , 150 psi			
Regulating Pressure	0.05 to 0.85 Mpa			
Working Temperature	5 to 60°C			
Bowl Material	Polycarbonate			
Filter Element	Bronze 5, 20, 25 μ			
Metal Guard Bowl	Available			



AW1000-  
AW2000-



AW3000-  
AW4000-



AW5000-

Air Filter Regulator Dimensions							
Peart Number	P (Port Size)	A	B	C	D	E	F (Pressure Gauge)
AW 1000-M5	M5	109.5	50.5	25	28	28	1/16"
AW2000-01	G 1/8"	164.5	78	40	40	34	G 1/8"
AW2000-02	G 1/4"	164.5	78	40	40	34	G 1/8"
AW3000-02	G 1/4"	211	92.5	53	53	40	G 1/8"
AW3000-03	G 3/8"	211	92.5	53	53	40	G 1/8"
AW4000-03	G 3/8"	262	112	70	70	54	G 1/4"
AW4000-04	G 1/2"	262	112	70	70	54	G 1/4"
AW4000-06	G 3/4"	267	114	70	70	54	G 1/4"
AW5000-06	G 3/4"	338	116	90	90	54	G 1/4"
AW5000-10	G 1"	338	116	90	90	54	G 1/4"

Dimensions are in mm