

Air Filter

AF1000



AF2000



AF3000



AF4000



AF5000

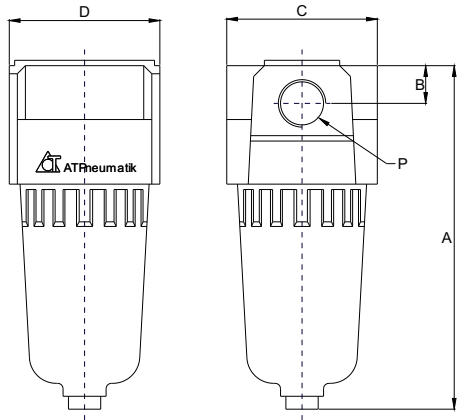


| 1000 and 2000 Series Air Filter | | | | | | |
|---------------------------------|---|-----------|-----------|-----------------|------------|------------|
| Part Number | AF1000-M5 | AF2000-01 | AF2000-02 | AF1000-M5D | AF2000-01D | AF2000-02D |
| | Manual Drain | | | Automatic Drain | | |
| Port Size | M05 | G 1/8" | G 1/4" | M05 | G 1/8" | G 1/4" |
| Flow Rate (l/min) | 110 | 750 | 750 | 110 | 750 | 750 |
| Working Pressure | 1 Mpa, 10 Kgf/cm ² , 150 psi | | | | | |
| Working Temperature | 5 to 60°C | | | | | |
| Bowl Material | Polycarbonate | | | | | |
| Filter Element | Bronze 5, 20, 25 μ | | | | | |
| Metal Guard Bowl | Not Available | | | | | |

| 3000 Series Air Filter | | | | |
|------------------------|---|-----------|-----------------|------------|
| Part Number | AF3000-02 | AF3000-03 | AF3000-02D | AF3000-03D |
| | Manual Drain | | Automatic Drain | |
| Port Size | G 1/4" | G 3/8" | G 1/4" | G 3/8" |
| Flow Rate (l/min) | 1500 | 1500 | 1500 | 1500 |
| Working Pressure | 1 Mpa, 10 Kgf/cm ² , 150 psi | | | |
| Working Temperature | 5 to 60°C | | | |
| Bowl Material | Polycarbonate | | | |
| Filter Element | Bronze 5, 20, 25 μ | | | |
| Metal Guard Bowl | Available | | | |

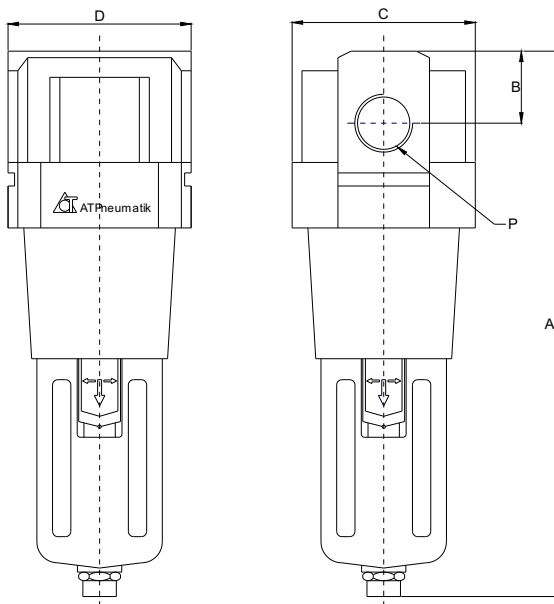
| 4000 Series Air Filter | | | | | | |
|------------------------|---|-----------|-----------|-----------------|------------|------------|
| Part Number | AF4000-03 | AF4000-04 | AF4000-06 | AF4000-03D | AF4000-04D | AF4000-06D |
| | Manual Drain | | | Automatic Drain | | |
| Port Size | G 3/8" | G 1/2" | G 3/4" | G 3/8" | G 1/2" | G 3/4" |
| Flow Rate (l/min) | 4000 | 4000 | 6000 | 4000 | 4000 | 6000 |
| Working Pressure | 1 Mpa, 10 Kgf/cm ² , 150 psi | | | | | |
| Working Temperature | 5 to 60°C | | | | | |
| Bowl Material | Polycarbonate | | | | | |
| Filter Element | Bronze 5, 20, 25 μ | | | | | |
| Metal Guard Bowl | Available | | | | | |

| 5000 Series Air Filter | | | | |
|------------------------|---|-----------|-----------------|------------|
| Part Number | AF5000-06 | AF5000-10 | AF5000-06D | AF5000-10D |
| | Manual Drain | | Automatic Drain | |
| Port Size | G 3/4" | G 1" | G 3/4" | G 1" |
| Flow Rate (l/min) | 7000 | 7000 | 7000 | 7000 |
| Working Pressure | 1 Mpa, 10 Kgf/cm ² , 150 psi | | | |
| Working Temperature | 5 to 60°C | | | |
| Bowl Material | Polycarbonate | | | |
| Filter Element | Bronze 5, 20, 25 μ | | | |
| Metal Guard Bowl | Available | | | |



AF1000-
AF2000-

AF3000-
AF4000-



AF5000-06
AF5000-10

| Air Filter Dimensions | | | | | |
|-----------------------|---------------|-------|----|----|----|
| Part Number | P (Port Size) | A | B | C | D |
| AF1000-M5 | M05 | 66 | 7 | 25 | - |
| AF2000-01 | G 1/8" | 97.5 | 11 | 40 | 40 |
| AF2000-02 | G 1/4" | 97.5 | 11 | 40 | 40 |
| AF3000-02 | G 1/4" | 132.5 | 14 | 53 | 53 |
| AF3000-03 | G 3/8" | 132.5 | 14 | 53 | 53 |
| AF4000-03 | G 3/8" | 168.5 | 18 | 70 | 70 |
| AF4000-04 | G 1/2" | 168.5 | 18 | 70 | 70 |
| AF4000-06 | G 3/4" | 172.5 | 20 | 70 | 70 |
| AF5000-06 | G 3/4" | 247.5 | 24 | 90 | 90 |
| AF5000-10 | G 1" | 247.5 | 24 | 90 | 90 |

Dimensions are in mm