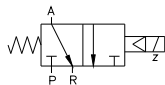


**Solenoid Large Orifice Valve**

3/2 way Solenoid Valve

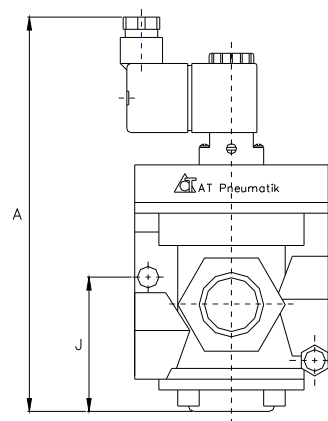
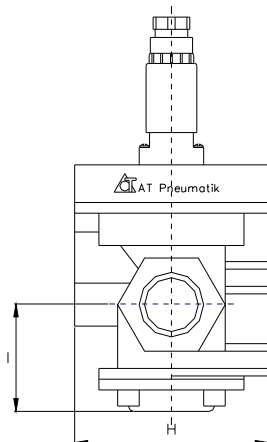
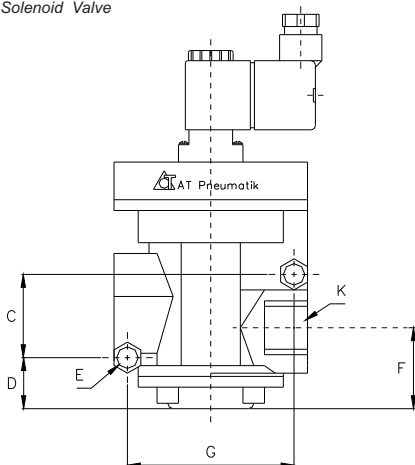


**Ordering Code**

**3S - JZF - 10 - Blank - DC12V - LD1**

- 3S JZF** - 3/2 way large Orifice Valve
- 10** - 3/8"
- 15** - 1/2"
- 25** - 1"
- Blank** - Internal Pilot
- E** - External Pilot G 1/8"
- DC12V** - 12Vdc
- DC110V** - 110Vdc
- AC24V** - 24Vac
- AC110V** - 110vac
- AC-220V** - 220Vac
- LD1** - with Light Indicator
- W** - with Lead wire
- Blank** - without Indicator

3S JZF - 3/2 way Solenoid Valve



3 way Large Orifice Valve				
Part Number	3S JZF-10	3S JZF-15	3S JZF-20	3S JZF-25
Orifice Size	16mm <sup>2</sup>		25mm <sup>2</sup>	
Port Connection	3/8"	1/2"	3/4"	1"
Working Medium	40 Micron Filtered Air			
Working Pressure	0 to 150 psi / 0 to 10 bar			
Maximum Test Pressure	0 to 220psi / 0 to 15 bar			
Body Material	Aluminum			
Working Temperature	5 ~ 60°C, 41 ~ 140°F			
Power Consumption	AC: 5.5VA DC: 4.8W ±10%			
Protection	F Class. IP65			
Connector	Lead Wire or Socket Type (DIN)			

3/2 way Large Orifice Valve											
Part Number	A	B	C	D	E	F	G	H	I	J	k
3VJZF-10	163.5	75	32.5	23	2 X 7.7	31.5	62.4	75.2	43.7	55.3	3 X 3/8"
3VJZF-15	163.5	75	32.5	23	2 X 7.7	31.5	62.4	75.2	43.7	55.3	3 X 1/2"
3VJZF-20	176.5	96.3	38.5	20.5	2 X 9.7	33.5	76	93.5	47.5	62	3 X 3/4"
3VJZF-25	176.5	96.3	38.5	20.5	2 X 9.7	33.5	76	93.5	47.5	62	3 X 1"

Dimensions are in mm