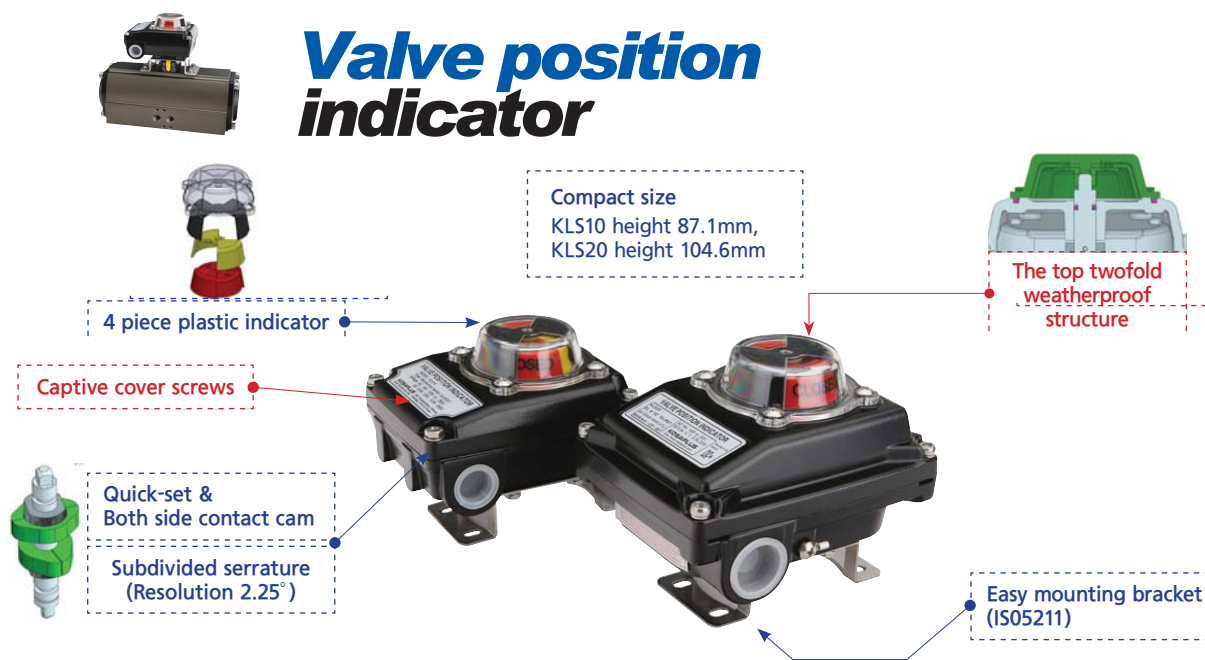


Valve position indicator



Contents

A series
Part List

A series
Selection guide
Dimension

A series
Torque table

R series
Part list

R series
Selection guide
Dimension

R series
Torque table

Various option

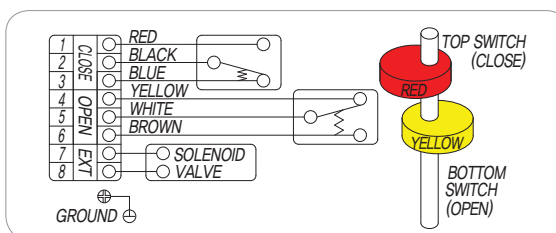
Limit switch
box

Positioner

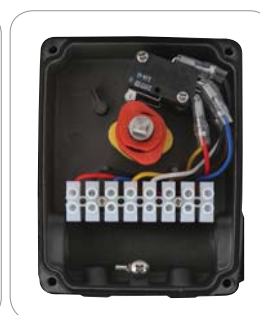
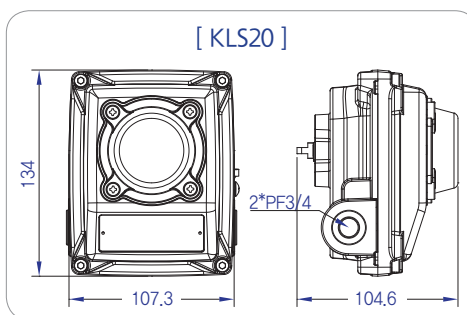
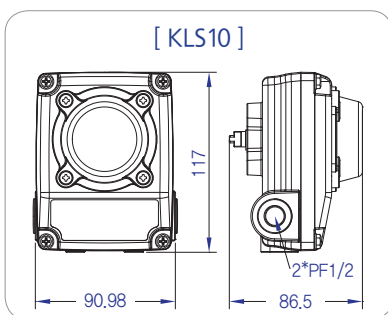
Switch specification & Wiring

- CSA, RU, VDE, KC Approved.

Switch type	2*SPDT
Voltage	· AC 16A 125V or 250V · DC 0.6A 125V, 0.3A 250V
Enclosure protection	IP67, IP68



Dimension



Bracket

BS1	BS2	BS3	BS4
Size 50*25*20 (R40)	Size 30*80*20 (AR50-AR185)	Size 30*130*30 (AR210-A300)	Size 30*80(130)*20(30)(AR50-AR300)
Material Stainless steel	Material Stainless steel	Material Stainless steel	Material Stainless steel

Limit switch box



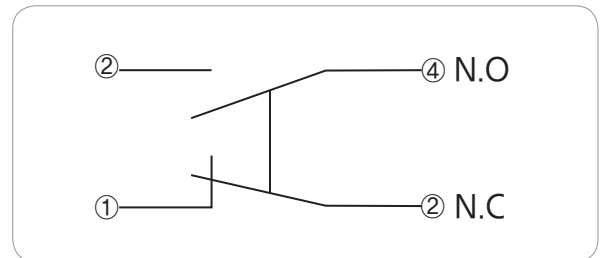
► Specification

Allowable operation speed		0.1 m ~ 1 m/s		
Insulation resistance		Min 100M Ω (500 V d.c insulated ohmmeter)		
Contact resistance		Max 50 m Ω		
Dielectric strength	Between non-continuous terminal	AC 1,000V / 50-60Hz for 1 minute		
	Between each terminal and non-conduction metal part	AC 2,000V / 50-60Hz for 1 minute		
Vibration resistance		10-55Hz, double amplitude 1.5 mm		
Shock resistance	Destruction	Approx. 1,000 m/s ²		
	Malfunction	Approx. 300 m/s ²		
Mechanical life		2*SPDT		
Electrical life		Over 0.3 million operations (open/close frequency 20 times/min)		
Operating temp.		(open/close frequency 20 times/min)		
Operating humidity		45 ~ 85% RH		
Explosion proof type		Ex d IIC T6 IP67		
Rated voltage	Rated electro current (A)			
	Resistive load	Induction load	Electric motor load	
			N,C	N,O
AC 125 V	15	10	2	1
AC 250 V	10	6	1.5	0.75
DC 125 V	0.4	0.05	-	-
DC 250 V	0.2	0.03	-	-

► Label

PROTECTION GRADE	KU100 Ex d IIC T6 IP67 15-KB2BO-0071 (KTL) Ambient -10° ~ 60°
ELECTRIC RATING	125V - 10A 250V - 5A 125VDC - 0.8A 250VDC - 0.4A

► Wiring



► Dimension

