

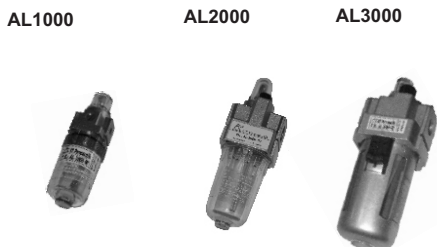
Air Pressure Regulator / Lubricator / Automatic Drain Trap



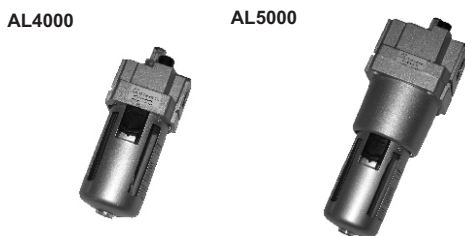
1000 / 2000 and 3000 Series Air Pressure Regulator					
Part Number	AR1000-M5	AR2000-01	AR2000-02	AR3000-02	AR3000-03
Port Size	M05	G 1/8"	G 1/4"	G 1/4"	G 3/8"
Pressure Gauge Connection	1/16"	G 1/8"	G 1/8"	G 1/8"	G 1/8"
Flow Rate (l/min)	100	550	550	2500	2500
Working Pressure	1 Mpa, 10 Kgf/cm ² , 150 psi				
Regulating Pressure	0.05 to 0.85 Mpa				
Working Temperature	5 to 60°C				



4000 and 5000 Series Air Pressure Regulator					
Part Number	AR4000-03	AR4000-04	AR4000-06	AR5000-06	AR5000-10
Port Size	G 3/8"	G 1/2"	G 3/4"	G 3/4"	G 1"
Pressure Gauge Connection	G 1/4"	G 1/4"	G 1/4"	G 1/4"	G 1/4"
Flow Rate (l/min)	6000	6000	6000	8000	8000
Working Pressure	1 Mpa, 10 Kgf/cm ² , 150 psi				
Regulating Pressure	0.05 to 0.85 Mpa				
Working Temperature	5 to 60°C				



1000 / 2000 and 3000 Series Air Lubricator					
Part Number	AL1000-M5	AL2000-01	AL2000-02	AL3000-02	AL3000-03
Port Size	M05	G 1/8"	G 1/4"	G 1/4"	G 3/8"
Flow Rate (l/min)	95	800	800	1700	1700
Working Pressure	1 Mpa, 10 kgf/cm ² , 150 psi				
Recommended Lubricant	SAE10				
Working Temperature	5 to 60°C				
Bowl Material	Polycarbonate				
Bowl Guard	Not Available			Available	



4000 and 5000 Series Air Lubricator					
Part Number	AL4000-03	AL4000-04	AL4000-06	AL5000-06	AL5000-10
Port Size	G 3/8"	G 1/2"	G 3/4"	G 3/4"	G 1"
Flow Rate (l/min)	5000	5000	6300	7000	7000
Working Pressure	1 Mpa, 10 kgf/cm ² , 150 psi				
Recommended Lubricant	SAE10				
Working Temperature	5 to 60°C				
Bowl Material	Polycarbonate				
Bowl Guard	Available				



Automatic Drain Trap			
Part Number	HAD4000-02	HAD4000-03	HAD4000-04
Port Size	G 1/4"	G 3/8"	G 1/2"
Discharge Rate	5 (l/min.)		
Working Pressure	1 Mpa, 10 kgf/cm ² , 150 psi		
Working Temperature	5 to 60°C		
Drain	Automatic		
Drain Port	1/4" Female		
Bowl Material	Polycarbonate		
Bowl Guard	Available		

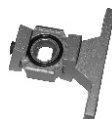
Filter Bracket
B140/B540



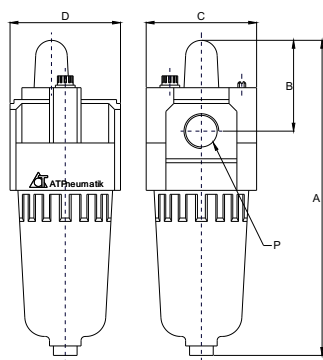
Pressure Regulator Bracket
B120/B520



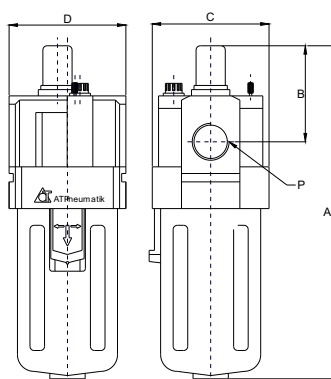
Connector Bracket
Y20T / Y50T



Mounting Bracket								
Part Number				Part Number			Part Number	
B120	AR1000	AW1000	Y10T	AC1000	AC1010	B140	AF1000	
B220	AR2000	AW2000	Y20T	AC2000	AC2010	B240	AF2000	
B320	AR3000	AW3000	Y30T	AC3000	AC3010	B340	AF3000	
B420	AR4000	AW4000	Y40T	AC4000	AC4010	B440	AF4000	
B520	AR5000	AW5000	Y50T	AC5000	AC5010	B540	AF5000	



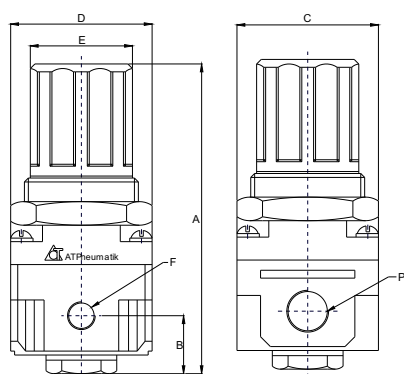
AL1000- AL2000-



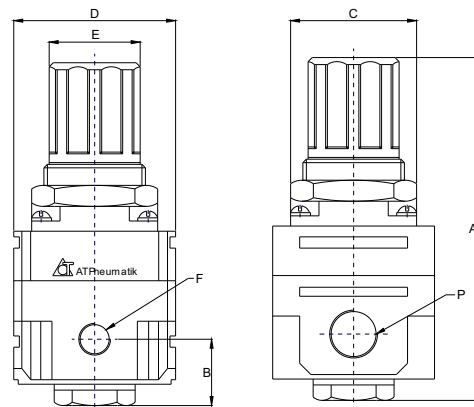
AL3000- AL4000-

AL5000-

Air Lubricator Dimensions					
Part Number	P (Port Size)	A	B	C	D
AL1000-M5	M05	81.5	25.5	25	
AL2000-01	G 1/8"	122	38	40	40
AL2000-02	G 1/4"	122	38	40	40
AL3000-02	G 1/4"	142	38	53	53
AL3000-03	G 3/8"	142	38	53	53
AL4000-03	G 3/8"	177	41	70	70
AL4000-04	G 1/2"	177	41	70	70
AL4000-06	G 3/4"	177	41	70	70
AL5000-06	G 3/4"	254	45	90	90
AL5000-10	G 1"	254	45	90	90



AR1000- AR2000- AR3000- AR4000-



AR5000-

Air Pressure Regulator Dimensions							
Part Number	P (Port Size)	A	B	C	D	E	F (Pressure Gauge)
AR1000-M5	M05	61.5	11	25	25	28	1/16"
AR2000-01	G 1/8"	95	17	40	40	34	G 1/8"
AR2000-02	G 1/4"	95	17	40	40	34	G 1/8"
AR3000-02	G 1/4"	127.5	35	53	53	40	G 1/8"
AR3000-03	G 3/8"	127.5	35	53	53	40	G 1/8"
AR4000-03	G 3/8"	149.5	37.5	70	70	54	G 1/4"
AR4000-04	G 1/2"	149.5	37.5	70	70	54	G 1/4"
AR4000-06	G 3/4"	154	40.5	70	75	54	G 1/4"
AR5000-06	G 3/4"	168	48	90	90	54	G 1/4"
AR5000-10	G 1"	168	48	90	90	54	G 1/4"

Dimensions are in mm