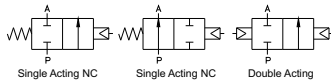


2S200 Series Stainless Steel Angle Seat Valve

2/2 way Stainless Steel Angle Seat Valve



Ordering Code

2S200 - 10 - T - D - 1 - NC - Blank

2S200 - 2 way Stainless Steel Actuator Angle Seat Valve

10	- 3/8"	D	- Bronze (Body)
15	- 1/2"	SS304	- SS304 (Body)
20	- 3/4"	SS316	- SS316 (Body)
25	- 1"		
32	- 1 1/4"	1	- Single Acting
40	- 1 1/2"	2	- Double Acting
50	- 2"		

T - Threaded

Blank - Flow Over the Seat

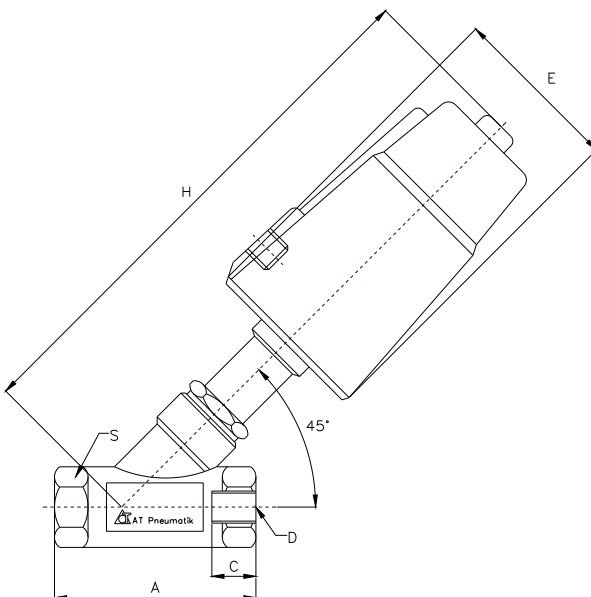
U - Flow Under the seat

NC - Normally Closed

NO - Normally Open

When ordering of Single Acting Angle Seat Valve, medium flow direction must be specified, however for double acting not necessary to specify the direction of flow.

2S200 - 2-way Stainless Steel Angle Seat Valve



Angle Seat Valve Dimension

Size	D	A	C	S	H	E
10	3/8"	55	17	21	120	51
15	1/2"	70	21	26.5	138	51
20	3/4"	76	23	32	154	62
25	1"	90	25	40	168	62
32	1 1/4"	116	32	50	200	76
40	1 1/2"	116	32	55.5	215	92
50	2"	138	40	68.5	230	92
65	2 1/2"	168	51	85	268	117
80	3"	192	54	100	325	140

For Single Acting Angle Seat Valve always specify the direction of flow for correct sizing of actuator, under the seat flow is recommended to avoid the piston seat hammering, which may result damage on the valve seat.

2S200 Series Angle Seat Valve Specification

Part Number	2S200-10	2S200-15	2S200-20	2S200-25	2S200-32	2S200-40	2S200-50	2S200-65	2S200-80
Working Medium	Water, Oil, Gas, Weak Acid, Steam								
Mounting	Any position								
Type	Normally Closed or open / Double or Single Acting								
Actuator Port	G 1/8" or 1/4"								
Actuator Size	40	40	50	50	63	80	80	100	125
Working Pressure	0 to 1.6Mpa								
Control Pressure	0.3 to 0.8 Mpa								
Operating Temperature	5 ~ 180°C								
Actuator Material	Stainless Steel 340								
Body Material	SS304 or SS316								
Seal Material	PTFE Teflon								

Dimensions are in mm