

100 Series Directional Solenoid Valve

Single Solenoid Valve



Double Solenoid Valve



Ordering Code

4V1 - 10 - M5 - AC220V - DIN

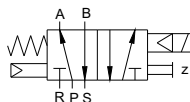
- 4V1** - 100 series, Directional Solenoid Valve
- 10** - 5/2 way Single Solenoid
- 20** - 5/2 way Double Solenoid
- 30C** - 5/3 way Double Solenoid Close center
- 30E** - 5/3 way Double Solenoid Exhaust center
- 30P** - 5/3 way Double Solenoid Open Center

- M5** - M05 X 0.8
- 06** - G 1/8"

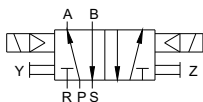
- DC12V** - 12Vdc **AC24V** - 24Vac / 60Hz
- DC24V** - 24Vdc **AC110V** - 110Vac / 60Hz
- DC110V** - 110Vdc **AC220V** - 220Vac / 60Hz

- DIN-LED** - Socket with LED **DIN** - Socket without LED

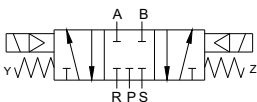
P.N.: 4V110-



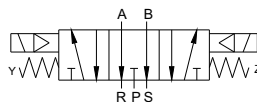
P.N.: 4V120-



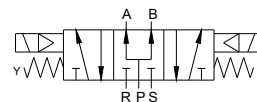
P.N.: 4V130C-



P.N.: 4V130E-



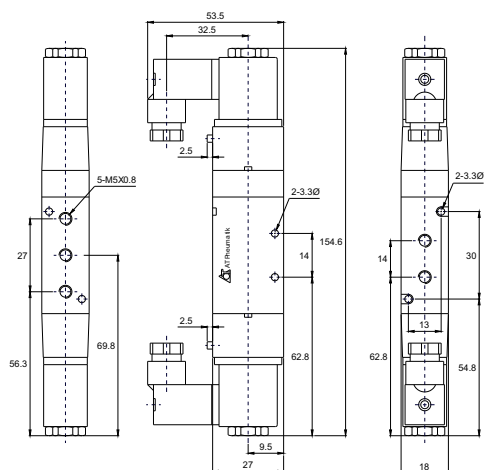
P.N.: 4V130P-



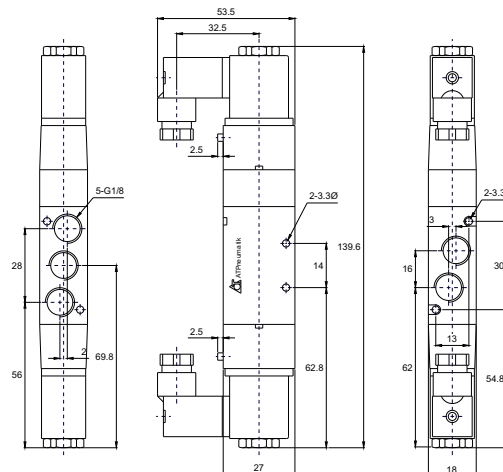
Solenoid Valve Specification

Part Number	4V110-M5	4V120-M5	4V130C-M5	4V130E-M5	4V130P-M5	4V110-06	4V120-06	4V130C-06	4V130E-06	4V130P-06
Orifice Size	10mm ² (CV=0.56)		7mm ² CV=0.4)			12mm ² (CV=0.67)		9mm ² (CV=0.5)		
Port Connection	Supply, Outlet, Exhaust M05 X 0.8					Supply, Outlet, Exhaust G 1/8"				
Working Medium	40 Micron Filtered Air									
Working Pressure	0.15 ~ 0.8 MPa, 1.5 ~ 8 Kg/cm ² , 22 ~ 117.6 PSI									
Maximum Test Pressure	1 MPa, 10 Kg/cm ² , 150 PSI									
Working Temperature	5 ~ 60°C, 41 ~ 140°F									
Power Consumption	AC: 2.5VA DC: 2.5W ±10%									
Protection	F Class. IP65									
Connector	Lead Wire or Socket Type (DIN)									
Switching Cycle	5 Cycle / Sec									
Response Time	0.05 Second									

4V130-M5 5/3 way Double Solenoid Valve

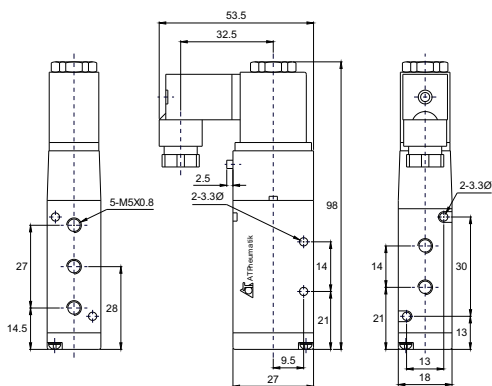


4V130-06 5/3 way Double Solenoid Valve

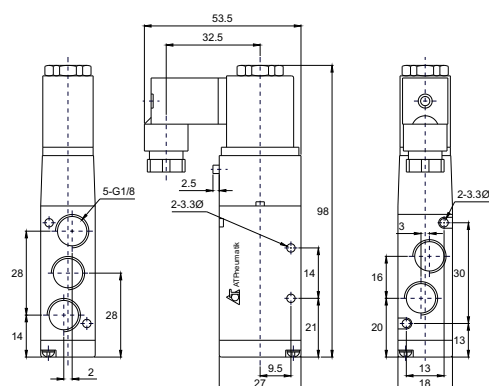


Dimensions are in mm

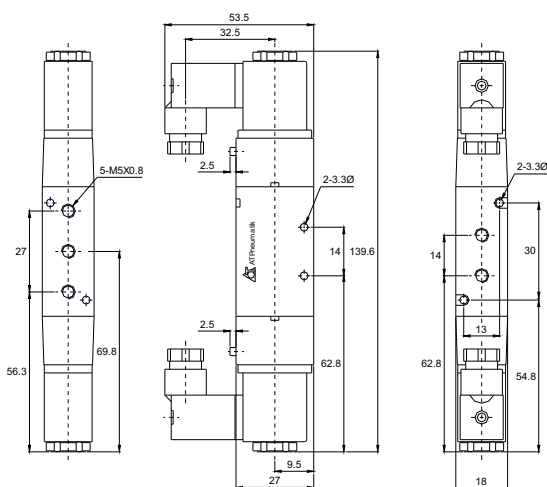
4V110-M5 5/2 way Single Solenoid Valve



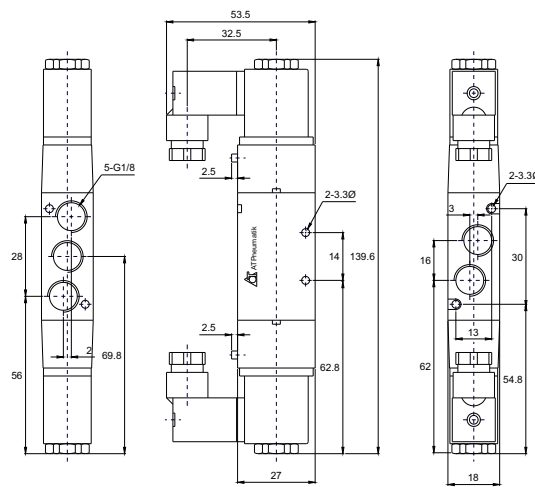
4V110-06 5/2 way Single Solenoid Valve



4V120-M5 5/2 way Double Solenoid Valve



4V120-06 5/2 way Double Solenoid Valve



200 Series Directional Solenoid Valve

Single Solenoid Valve



Double Solenoid Valve



Ordering Code

4V2 - 10 - 06 - B - AC220V - DIN

4V2 - 200 series Directional Solenoid Valve

10 - 5/2 way Single Solenoid

20 - 5/2 way Double Solenoid

30C - 5/3 way Double Solenoid Close Center

30E - 5/3 way Double Solenoid Exhaust Center

30P - 5/3 way Double Solenoid Open Center

06 - G 1/8"

08 - G 1/4"

Blank - Body Ported

B - Namur Mounting

DC12V - 12Vdc

AC24V - 24Vac / 60Hz

DC24V - 24Vdc

AC110V - 110Vac / 60Hz

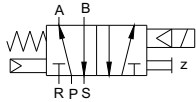
DC110V - 110Vdc

AC220V - 220Vac / 60Hz

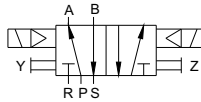
DIN-LED - Socket w/ LED

DIN - Socket w/o LED

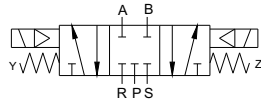
P.N.: 4V210-



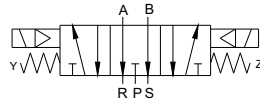
P.N.: 4V220-



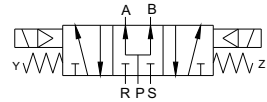
P.N.: 4V230C-



P.N.: 4V230E-



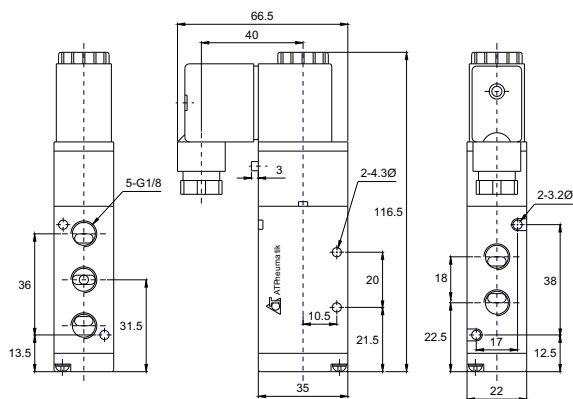
P.N.: 4V230P-



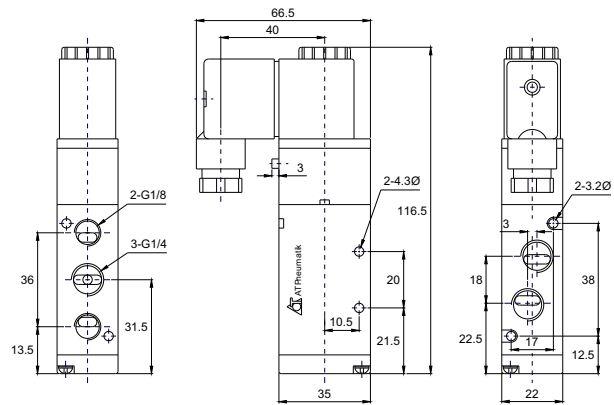
Solenoid Valve Specifications

Part Number	4V210-06	4V220-06	4V230C-06	4V230E-06	4V230P-06	4V210-08	4V220-08	4V230C-08	4V230E-08	4V230P-08
Orifice Size	14mm ² (CV=0.78)		12mm ² (CV=0.67)			16mm ² (CV=0.89)		12mm ² (CV=0.67)		
Port Connection	Supply, Outlet, Exhaust G 1/8"					Supply & Outlet G 1/4", Exhaust G 1/8"				
Working Medium	40 Micron Filtered Air									
Working Pressure	0.15 ~ 0.8 MPa, 1.5 ~ 8 Kg/cm ² , 22 ~ 117.6 PSI									
Maximum Test Pressure	1 MPa, 10 Kg/cm ² , 150 PSI									
Working Temperature	5 ~ 60°C, 41 ~ 140°F									
Power Consumption	AC: 5.5VA DC: 4.8W ±10%									
Protection	F Class. IP65									
Connector	Lead Wire or Socket Type (DIN)									
Switching Cycle	5 Cycle / Sec									
Response Time	0.05 Second									

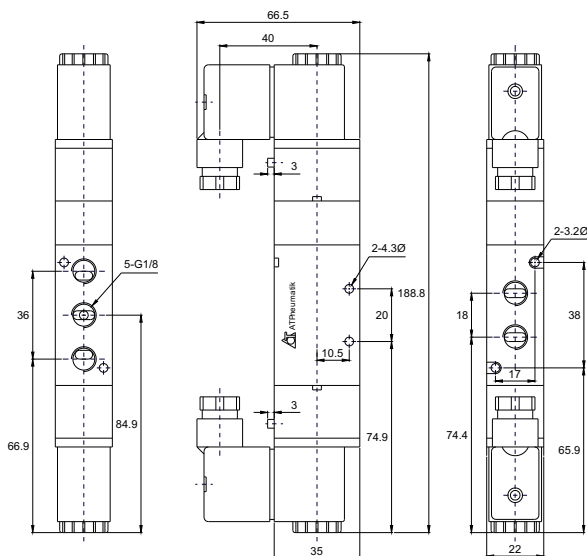
4V210-06 5/2 way Single Solenoid Valve



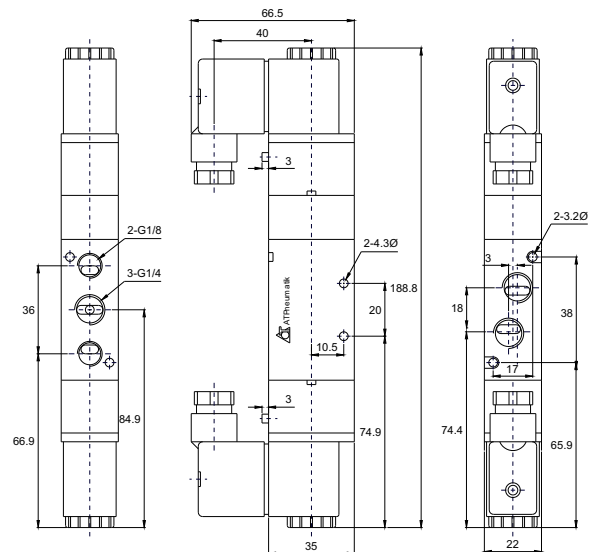
4V210-08 5/2 way Single Solenoid Valve



4V230-06 5/3 way Double Solenoid Valve

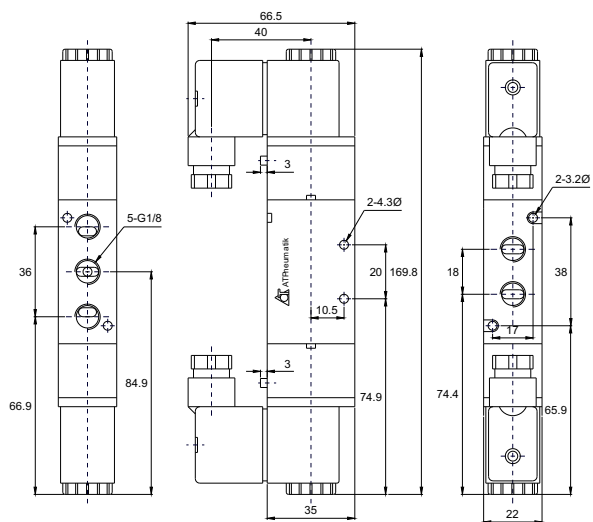


4V230-08 5/3 way Double Solenoid Valve

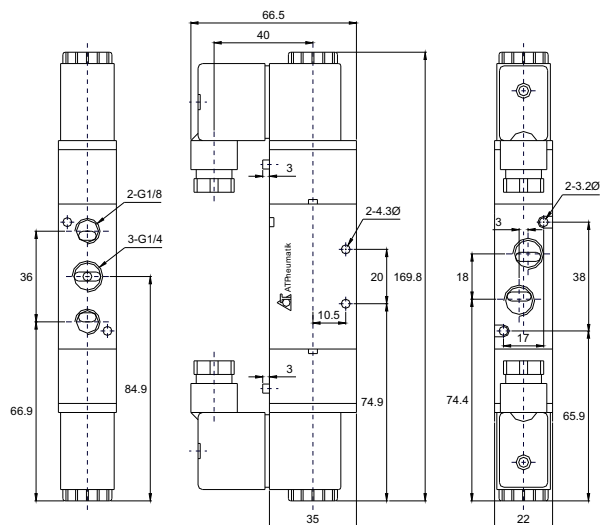


Dimensions are in mm

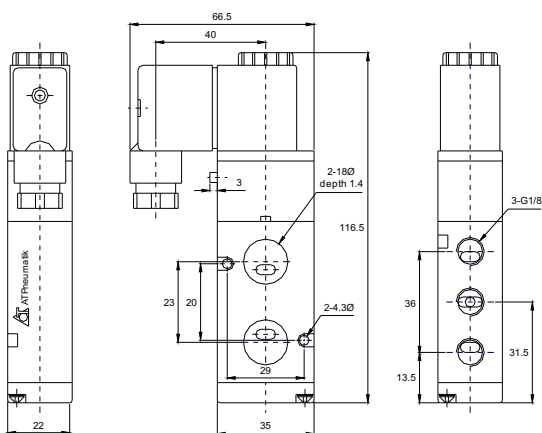
4V220-06 5/2 way Double Solenoid Valve



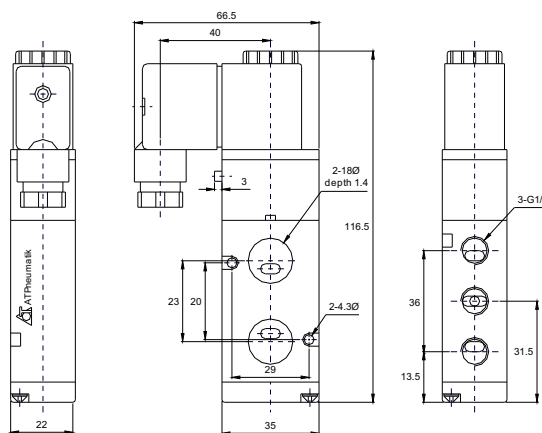
4V220-08 5/2 way Double Solenoid Valve



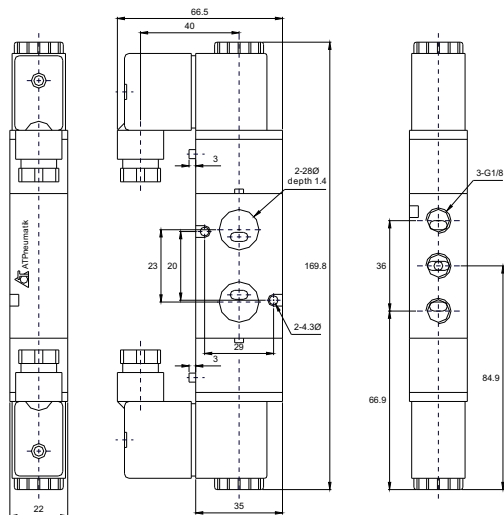
4V210-06-B 5/2 way Single Solenoid Valve NAMUR



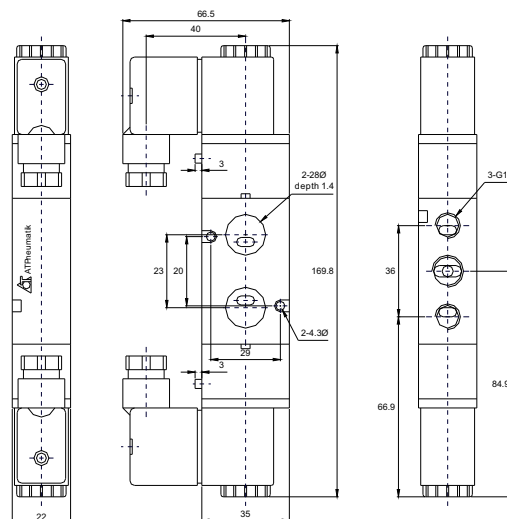
4V210-08-B 5/2 way Single Solenoid Valve NAMUR



4V220-06-B 5/2 way Double Solenoid Valve NAMUR



4V220-08-B 5/2 way Double Solenoid Valve NAMUR



Dimensions are in mm

300 Series Directional Solenoid Valve

Single Solenoid Valve



Double Solenoid Valve

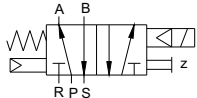


Ordering Code

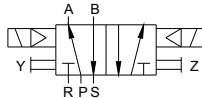
4V3 - 10 - 08 - B - AC220V - DIN

- | | | |
|----------------|---|--|
| 4V3 | - | 300 series, Directional Solenoid Valve |
| 10 | - | 5/2 way Single Solenoid |
| 20 | - | 5/2 way Double Solenoid |
| 30C | - | 5/3 way Double Solenoid Close Center |
| 30E | - | 5/3 way Double Solenoid Exhaust Center |
| 30P | - | 5/3 way Double Solenoid Open Center |
| 08 | - | G 1/4" |
| 10 | - | G 3/8" |
| Blank | - | Body Ported |
| B | - | Namur Mounting |
| DC12V | - | 12Vdc |
| DC24V | - | 24Vdc |
| DC110V | - | 110Vdc |
| AC24V | - | 24Vac / 60Hz |
| AC110V | - | 110Vac / 60Hz |
| AC220V | - | 220Vac / 60Hz |
| DIN-LED | - | Socket w/ LED |
| DIN | - | Socket w/o LED |

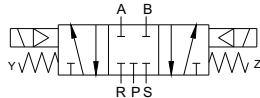
P.N.: 4V310-



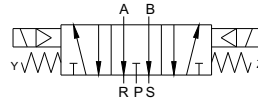
P.N.: 4V320-



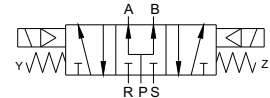
P.N.: 4V330C-



P.N.: 4V330E-



P.N.: 4V330P-

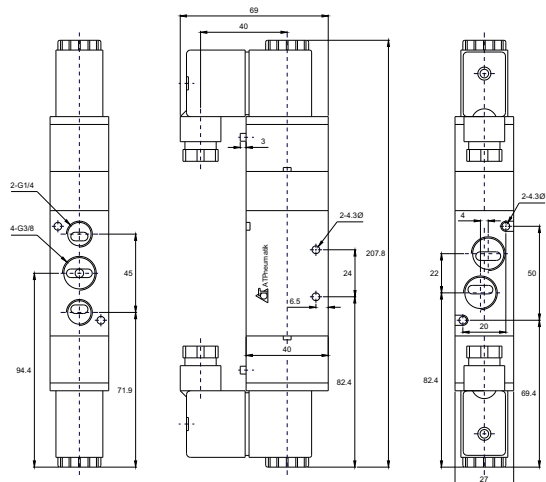
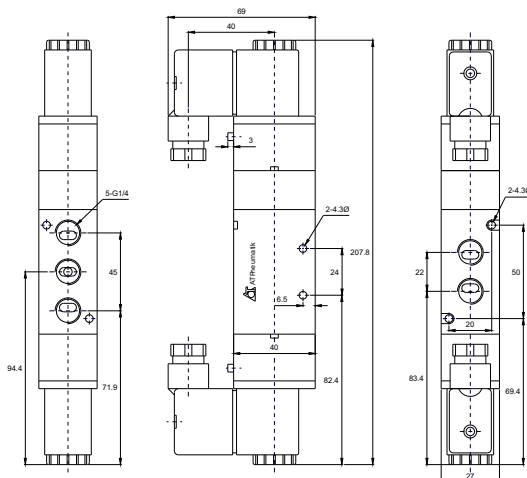


Solenoid Valve Specification

Part Number	4V310-08	4V320-08	4V330C-08	4V330E-08	4V330P-08	4V310-10	4V320-10	4V330C-10	4V330E-10	4V330P-10
Orifice Size	25mm ² (CV=1.40)		18mm ² (CV=1.00)			30mm ² (CV=1.68)		18mm ² (CV=1.00)		
Port Connection	Supply, Outlet, Exhaust G 1/4"					Supply & Outlet G 3/8", Exhaust G 1/4"				
Working Medium	40 Micron Filtered Air									
Working Pressure	0.15 ~ 0.8 MPa, 1.5 ~ 8 Kg/cm ² , 22 ~ 117.6 PSI									
Maximum Test Pressure	1 MPa, 10 Kg/cm ² , 150 PSI									
Working Temperature	5 ~ 60°C, 41 ~ 140°F									
Power Consumption	AC: 5.5VA DC: 4.8W ±10%									
Protection	F Class. IP65									
Connector	Lead Wire or Socket Type (DIN)									
Switching Cycle	5 Cycle / Sec									
Response Time	0.05 Second									

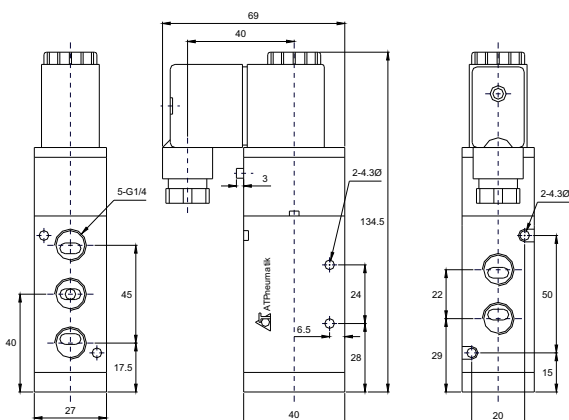
4V330-08 5/3 way Double Solenoid Valve

4V330-10 5/3 way Double Solenoid Valve

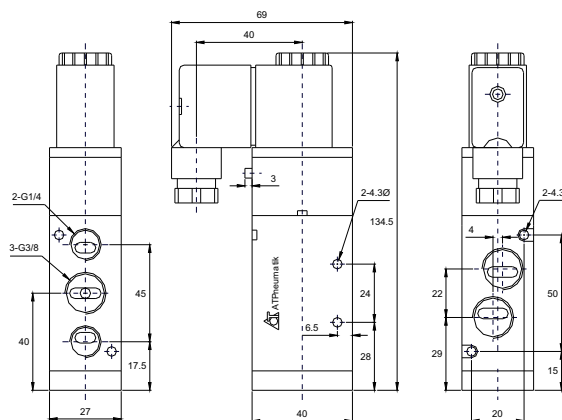


Dimensions are in mm

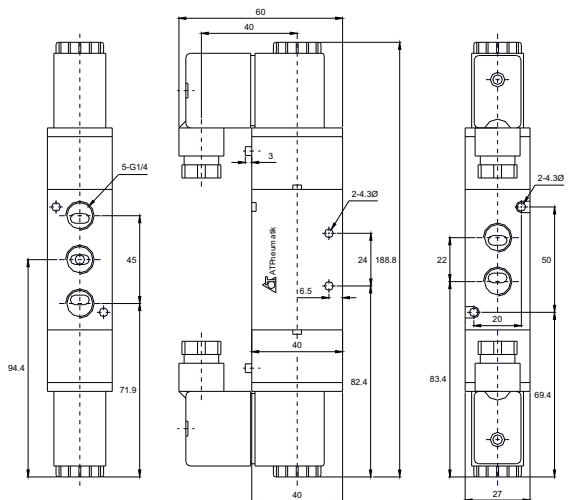
4V310-08 5/2 way Single Solenoid Valve



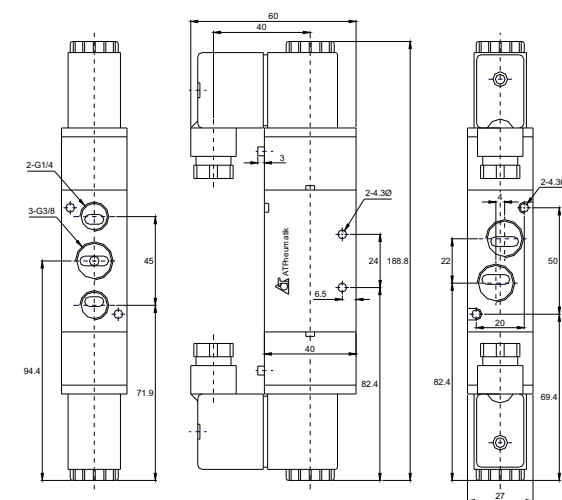
4V310-10 5/2 way Single Solenoid Valve



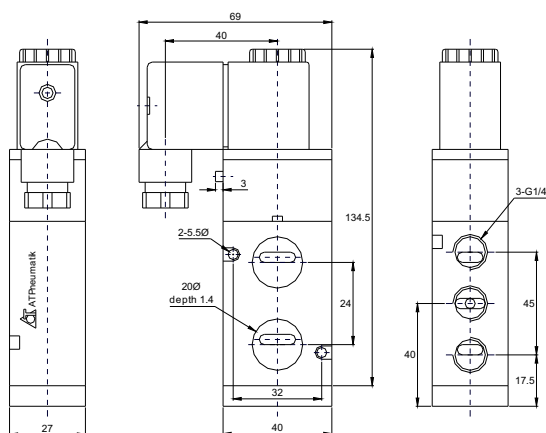
4V320-08 5/2 way Double Solenoid Valve



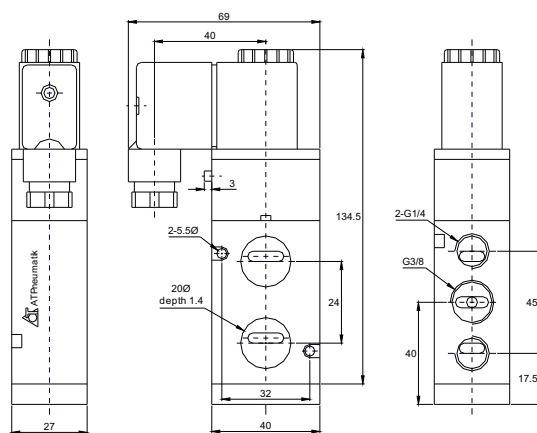
4V320-10 5/2 way Double Solenoid Valve



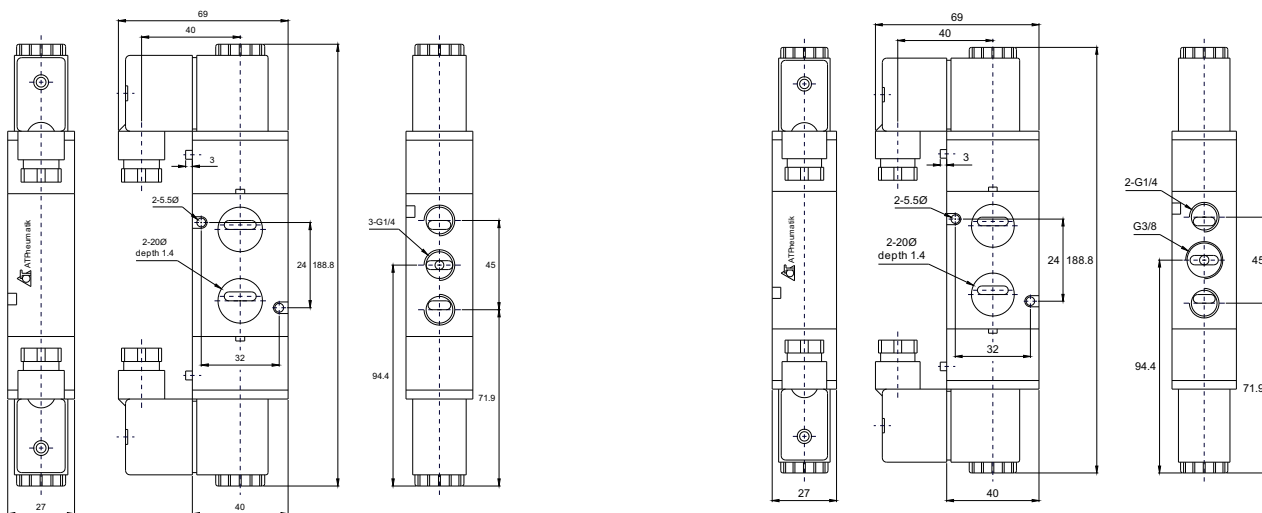
4V310-08-B 5/2 way Single Solenoid Valve NAMUR



4V310-10-B 5/2 way Single Solenoid Valve NAMUR



Dimensions are in mm



400 Series Directional Solenoid Valve

Single Solenoid Valve



Double Solenoid Valve

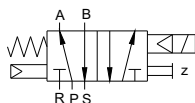


Ordering Code

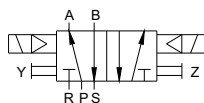
4V4 - 10 - 15 - AC220V - DIN

- 4V4** - 400 series, Directional Solenoid Valve
- 10** - 5/2 way Single Solenoid
- 20** - 5/2 way Double Solenoid
- 30C** - 5/3 way Double Solenoid close Center
- 30E** - 5/3 way Double Solenoid Exhaust Center
- 30P** - 5/3 way Double Solenoid Open Center
- 15** - G 1/2"
- DC12V** - 12Vdc
- DC24V** - 24Vdc
- DC110V** - 110Vdc
- AC24V** - 24Vac / 60Hz
- AC110V** - 110Vac /60Hz
- AC220V** - 220Vac /60Hz
- DIN-LED** - Socket w/ LED
- DIN** - Socket w/o LED

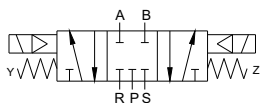
P.N.: 4V410-



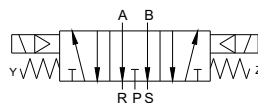
P.N.: 4V420-



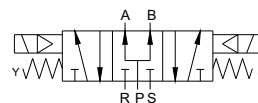
P.N.: 4V430C-



P.N.: 4V430E-



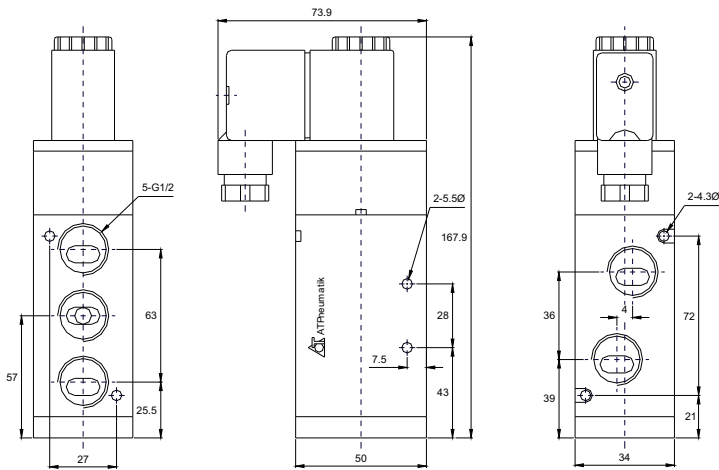
P.N.: 4V430P-



Solenoid Valve Specification

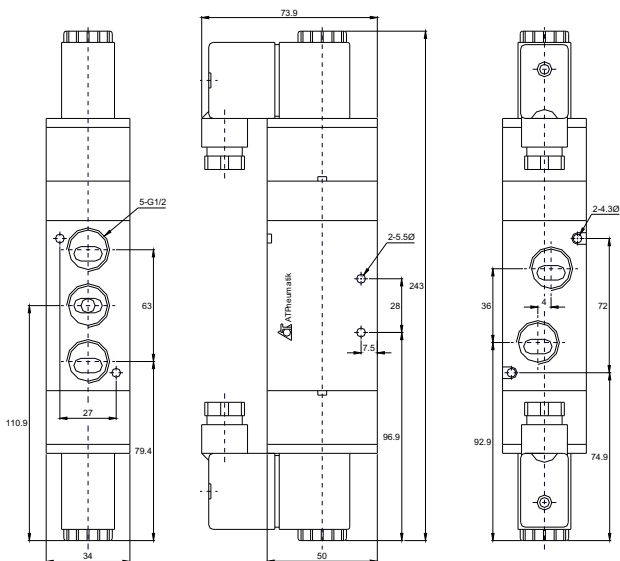
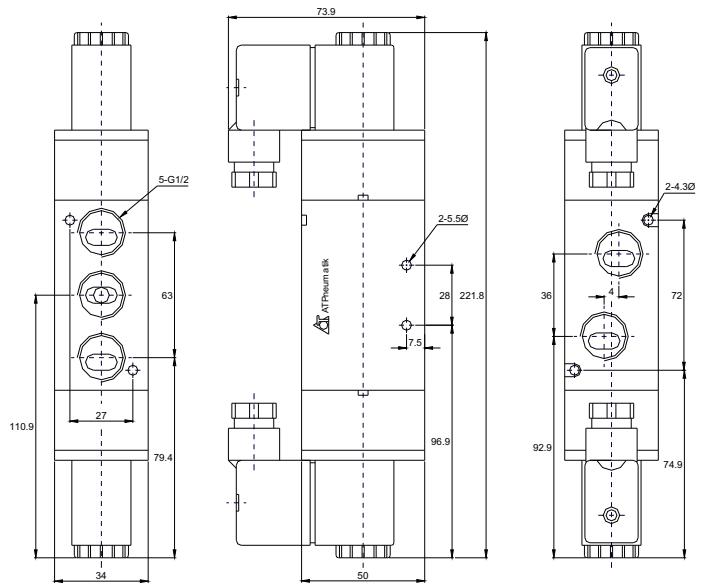
Part Number	4V410-15	4V420-15	4V430C-15	4V430E-15	4V430P-15
Orifice Size	50mm ² (CV=2.79)		30mm ² (CV=1.68)		
Port Connection	Supply, Outlet, Exhaust G 1/2"				
Working Medium	40 Micron Filtered Air				
Working Pressure	0.15 ~ 0.8 MPa, 1.5 ~ 8 Kg/cm ² , 22 ~ 117.6 PSI				
Maximum Test Pressure	1 MPa, 10 Kg/cm ² , 150 PSI				
Working Temperature	5 ~ 60°C, 41 ~ 140°F				
Power Consumption	AC: 5.5VA DC: 4.8W ±10%				
Protection	F Class. IP65				
Connector	Lead Wire or Socket Type (DIN)				
Switching Cycle	5 Cycle / Sec				
Response Time	0.05 Second				

Dimensions are in mm



4V410-15 5/2 way Single Solenoid Valve

4V420-15 5/2 way Double Solenoid Valve



4V430-15 5/3 way Double Solenoid Valve

Dimensions are in mm