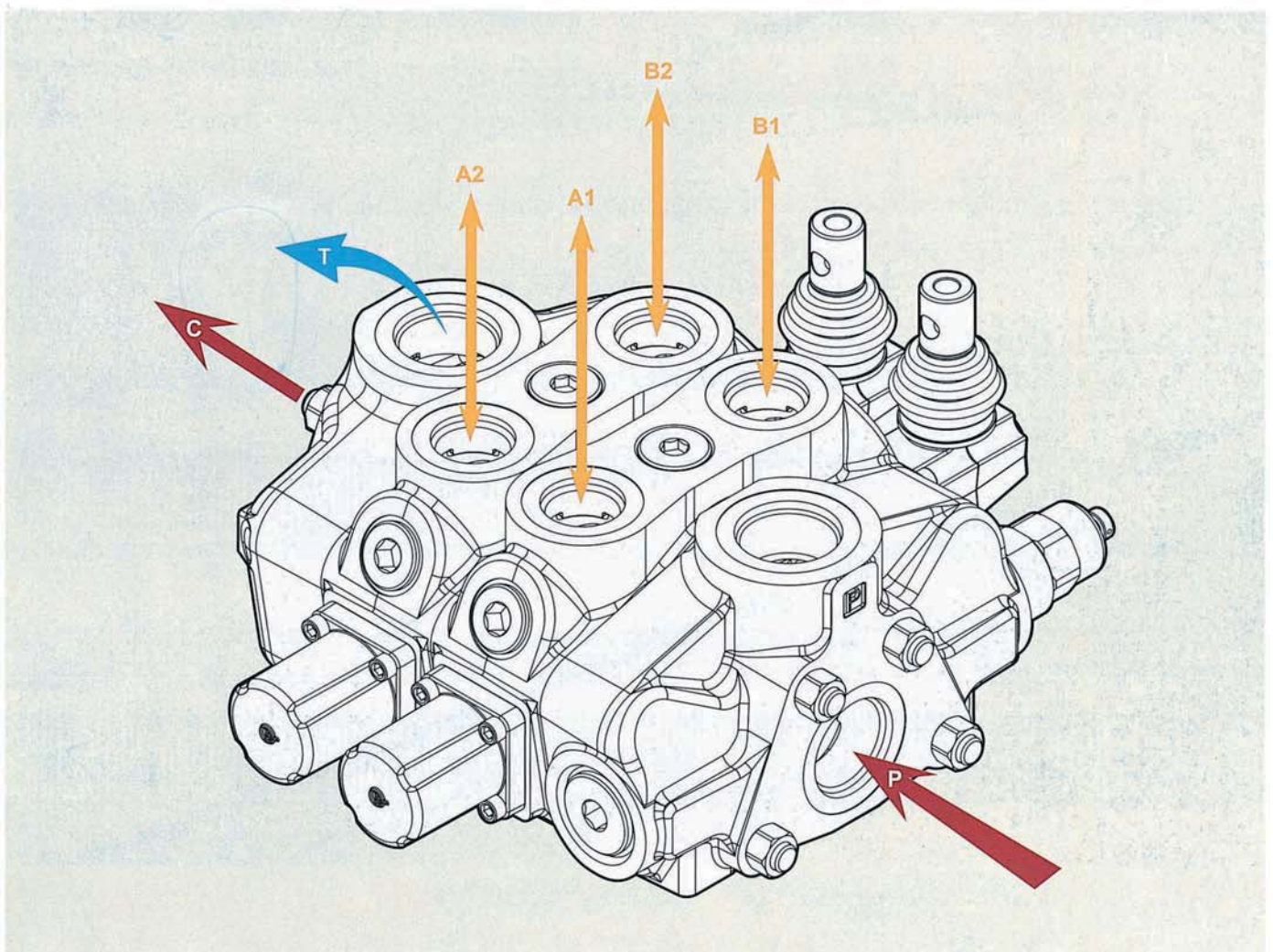


# SN-8

## Sectional Directional Control Valves

SN-8



### SN-8 Specifications

Nominal flow rate		240 l/min	63 US gpm
Operating pressure (maximum)		315 bar	4600 psi
Back pressure (maximum)	on outlet port T	25 bar	360 psi
Fluid temperature range	with NBR seals	from - 20° to 80°C	from - 4° to 176° F
	with FPM seal	from - 20° to 100°C	from - 4° to 212° F
Viscosity	operating range	from 15 to 75 mm <sup>2</sup> /s	from 15 to 75 cst
	min.	12 mm <sup>2</sup> /s	12 cst
	max.	400 mm <sup>2</sup> /s	400 cst
Ambient temperature range		from - 40° to 60°C	from - 40° to 140° F

• All specifications, dimensions and design characteristics shown in this catalogue are subject to change without notice.

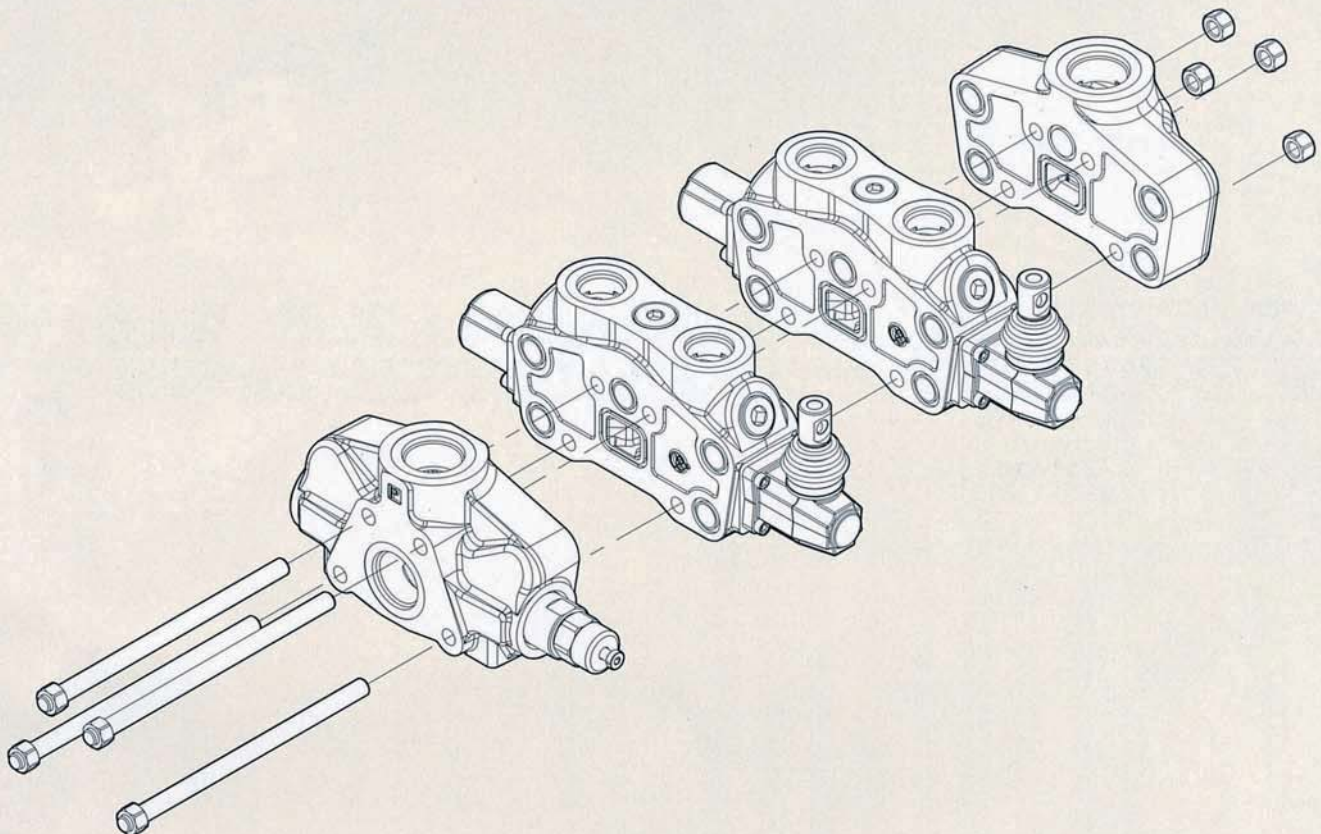
# SN-8 Complete

## Sectional Directional Control Valves

### HOW TO ORDER FOR A COMPLETE ASSEMBLED VALVE

**SN-8 / 2S - XHG / 18L / 28L / G-8-10 / M3**

<b>2S</b>	No. of working section
<b>XHG</b>	Inlet cover with a main pressure relief valve
<b>18L</b>	1st section (complete working section)
<b>28L</b>	Following section (complete working section)
<b>G-8-10</b>	BSP ports
<b>M3</b>	Outlet cover

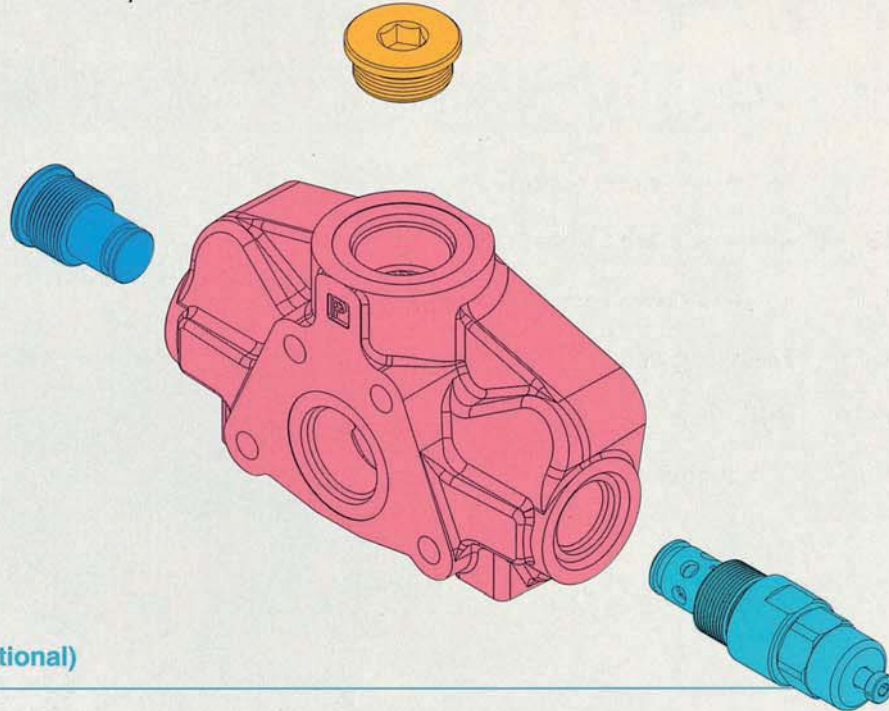


SN-8

# SN-8 Inlet Section

## Sectional Directional Control Valves

FP SN-8 / XHG / G-8



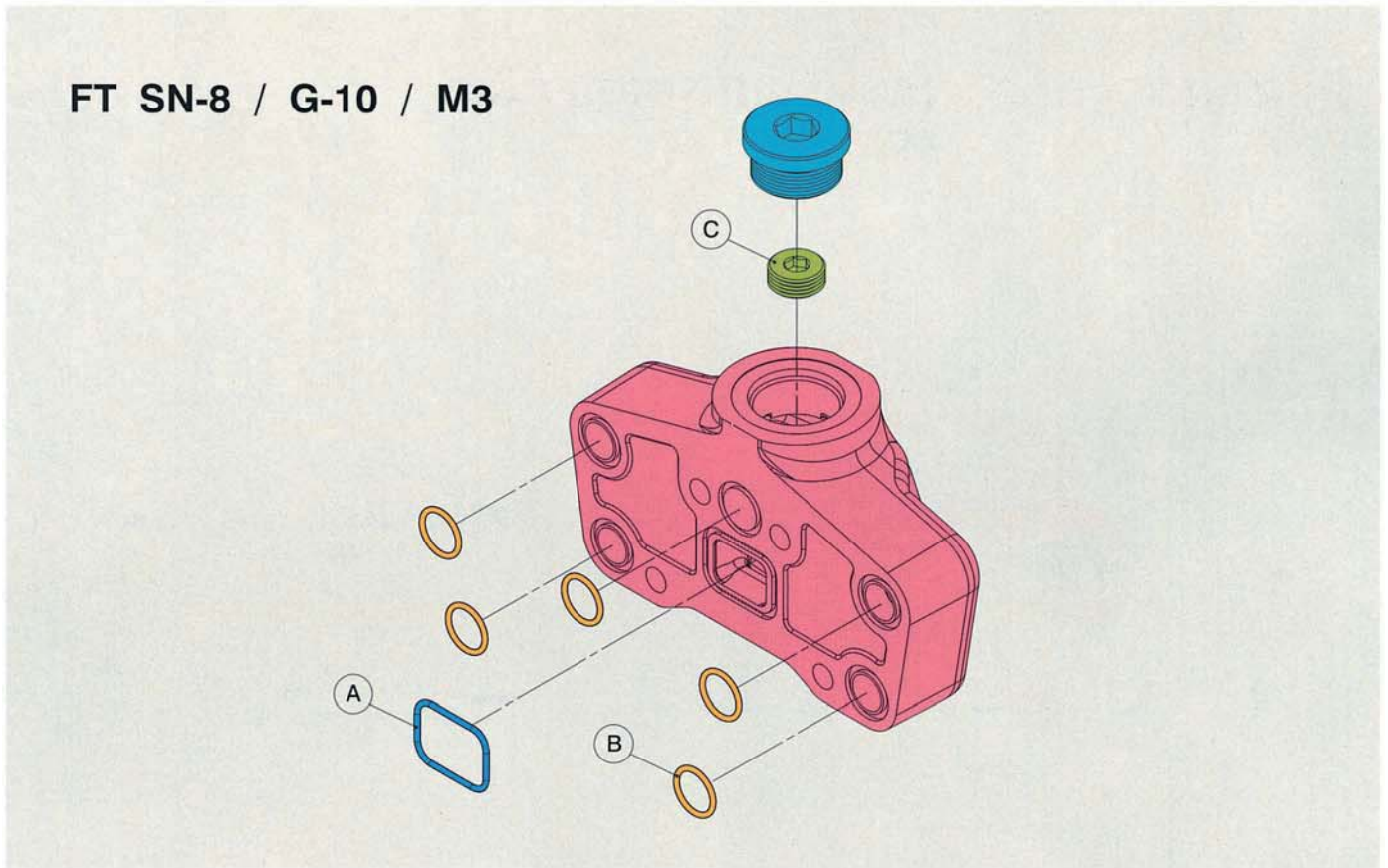
Inlet relief (optional)

Inlet Relief (optional)			
TYPE	CODE	DESCRIPTION	PAGE
SV	YLPSN84000	Relief valve blanking plug	P. 228
XHG	YLPSN83000	Pilot operated pressure relief valve Range 25 to 315 bar/ 360 to 4600 psi, standard setting 125 bar/ 1800 psi	P. 228

# SN-8 Outlet Section

## Sectional Directional Control Valves

SN-8

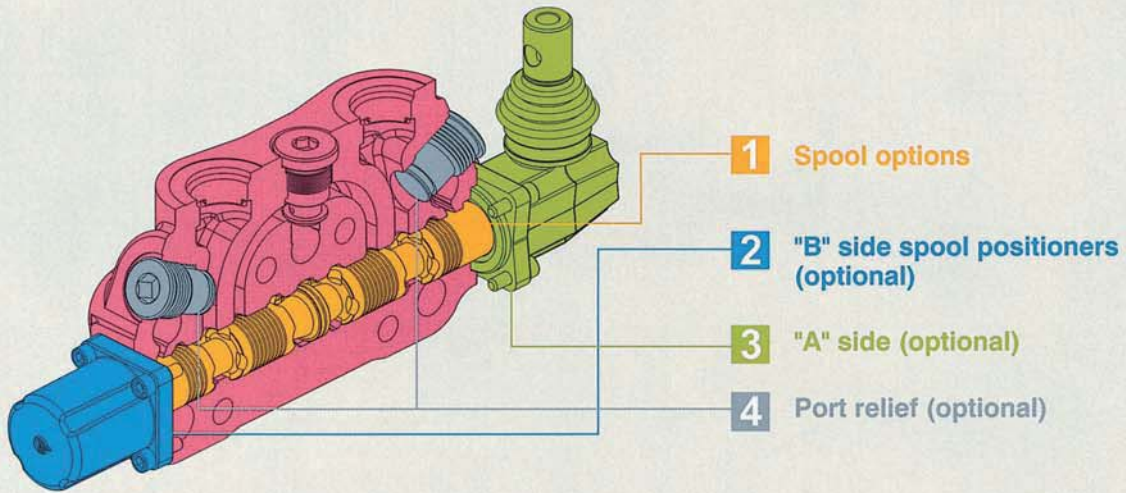


Outlet		
ITEM	DESCRIPTION	Q'TY
A	2.62 x 40.94	1
B	2.62 x 20.29	5
C	G3/4 Plug	1

# SN-8 Working Section

## Sectional Directional Control Valves

EW SN-8 / 1S / **1** **8** **L** / P1(G3-100) / G-8  
 1 2 3 4



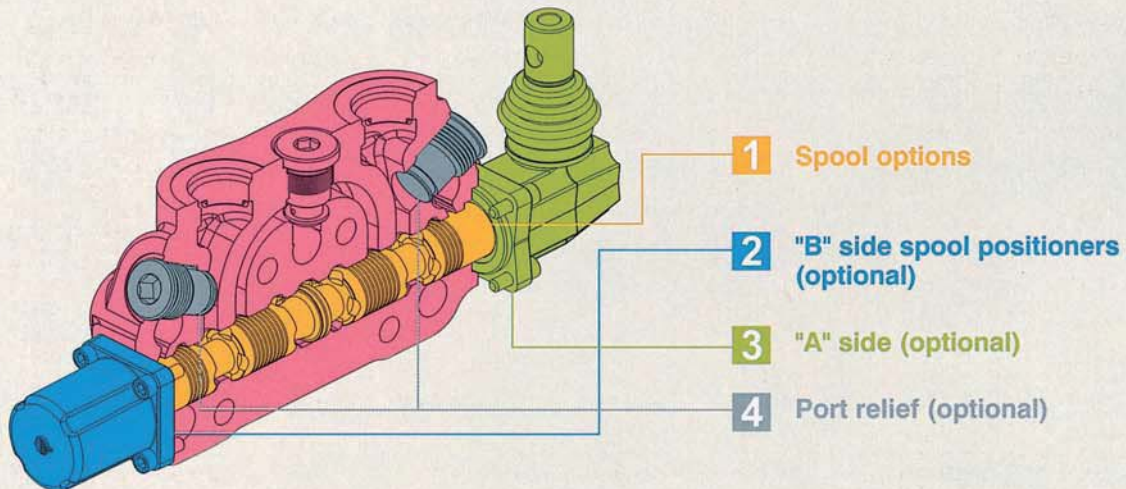
- 1** Spool options
- 2** "B" side spool positioners (optional)
- 3** "A" side (optional)
- 4** Port relief (optional)

1: Spool options			
TYPE	CODE	DESCRIPTION	PAGE
1	YLWSN82001	Double acting,3 positions,with A and B closed in neutral position	P. 229
2	YLWSN82002	Double acting,3 positions,with A and B open to tank in neutral position	P. 229
3	YLWSN82003	Single acting on A closed in neutral position, 3 positions, B plugged	P. 230
4	YLWSN82004	Single acting on B closed in neutral position, 3 positions, A plugged	P. 230
5	YLWSN82005	Double acting, 3 positions, with B open to Tank in neutral position	P. 231
6	YLWSN82006	Double acting, 3 positions, with A open to Tank in neutral position	P. 231
5DY	YLWSN83052	Double acting, 4 positions, floating circuit in 4th position with A,B open to Tank by pulling the lever	P. 232
5PY	YLWSN83051	Double acting, 4 positions, floating circuit in 4th position with A, B open to Tank by pushing the lever	P. 233

# SN-8 Working Section

## Sectional Directional Control Valves

EW SN-8 / 1S / **1 8 L** / P1(G3-100) / G-8  
1 2 3 4



SN-8

2: B Side Spool Positioners			
TYPE	CODE	DESCRIPTION	PAGE
6-1	YLWSN83061	Detent in pos. 1-0-2, without spring centered	P. 238
6-2	YLWSN83062	2 positions, detent in pos. 0-2, without spring centered	P. 238
6-3	YLWSN83063	2 positions, detent in pos. 1-0, without spring centered	P. 238
8D2	YLWSN83082	With spring return to neutral position and pin with M8 male thread for dual control	P. 238
8IM	YLWSN830810	Hydraulic pilot kit	P. 238
8P	YLWSN83080	ON/OFF Pneumatic actuator	P. 239
8EP3	YLWSN84300	ON/OFF Electro-Pneumatic actuator	P. 239
8MG1 (NO)	YLWSN83801	Microswitch kit operated in pos. 1 (Normally Open)	P. 242
8MG2 (NO)	YLWSN83802	Microswitch kit operated in pos. 2 (Normally Open)	P. 242
8MG3 (NO)	YLWSN83803	Microswitch kit operated in pos. 1&2 (Normally Open)	P. 242
MG (NO)	YLWSN83804	Microswitch with NO terminal	P. 242
8MG1 (NC)	YLWSN838011	Microswitch kit operated in pos. 1 (Normally Closed)	P. 242
8MG2 (NC)	YLWSN838021	Microswitch kit operated in pos. 2 (Normally Closed)	P. 242
8MG3 (NC)	YLWSN838031	Microswitch kit operated in pos. 1&2 (Normally Closed)	P. 242
MG (NC)	YLWSN838041	Microswitch with NC terminal	P. 242
8	YLWSN83008	With spring return to neutral position	P. 243
8-1	YLWSN84081	2 positions, with spring centered from pos. 1	P. 243
8-2	YLWSN84082	2 positions, with spring centered from pos. 2	P. 243
9-1	YLWSN83091	Detent in pos. 1, 2 with spring centered	P. 243
9-2	YLWSN83092	Detent in pos. 2 with spring centered	P. 243

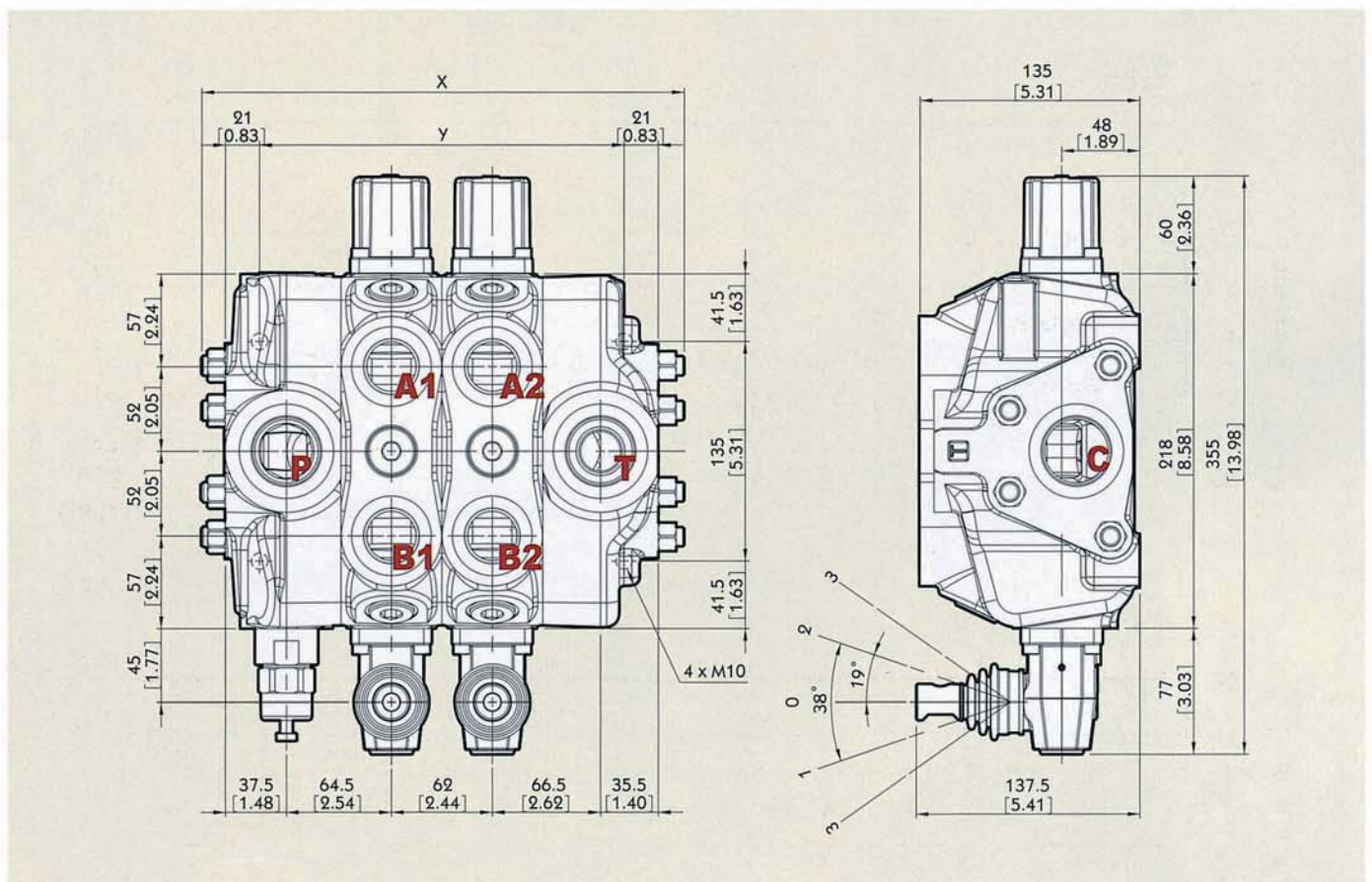
2: B Side Spool Positioners			
TYPE	CODE	DESCRIPTION	PAGE
9-3	YLWSN83093	Detent in pos. 1 with spring centered	P. 243
8ED3+RV-KE1R3	YLWSN83201	1S: ON/OFF Electro-Hydraulic control kit with pilot and drain line+backpressure valve (12/24 VDC)	P. 240
8ED3+RV-KE2R3	YLWSN83202	2S: ON/OFF Electro-Hydraulic control kit with pilot and drain line+backpressure valve (12/24 VDC)	P. 240
8ED3+RV-KE3R3	YLWSN83203	3S: ON/OFF Electro-Hydraulic control kit with pilot and drain line+backpressure valve (12/24 VDC)	P. 240
8ED3+RV-KE4R3	YLWSN83204	4S: ON/OFF Electro-Hydraulic control kit with pilot and drain line+backpressure valve (12/24 VDC)	P. 240
8ED3+RV-KE5R3	YLWSN83205	5S: ON/OFF Electro-Hydraulic control kit with pilot and drain line+backpressure valve (12/24 VDC)	P. 240
8ED3+RV-KE6R3	YLWSN83206	6S: ON/OFF Electro-Hydraulic control kit with pilot and drain line+backpressure valve (12/24 VDC)	P. 240
8ED3+RV-KE7R3	YLWSN83207	7S: ON/OFF Electro-Hydraulic control kit with pilot and drain line+backpressure valve (12/24 VDC)	P. 240
8ED3+RV-KE8R3	YLWSN83208	8S: ON/OFF Electro-Hydraulic control kit with pilot and drain line+backpressure valve (12/24 VDC)	P. 240
8ED3+RV-KE9R3	YLWSN83209	9S: ON/OFF Electro-Hydraulic control kit with pilot and drain line+backpressure valve (12/24 VDC)	P. 240
8ED3+RV-KE10R3	YLWSN83210	10S: ON/OFF Electro-Hydraulic control kit with pilot and drain line+backpressure valve (12/24 VDC)	P. 240
8ED3+RV-KE11R3	YLWSN83211	11S: ON/OFF Electro-Hydraulic control kit with pilot and drain line+backpressure valve (12/24 VDC)	P. 240
8ED3+RV-KE12R3	YLWSN83212	12S: ON/OFF Electro-Hydraulic control kit with pilot and drain line+backpressure valve (12/24 VDC)	P. 240
8ER3+KE1S0	YLWSN83401	1S: ON/OFF Electro-hydraulic control kit with collector kit for external pilot and drain	P. 241
8ER3+KE2S0	YLWSN83402	2S: ON/OFF Electro-hydraulic control kit with collector kit for external pilot and drain	P. 241
8ER3+KE3S0	YLWSN83403	3S: ON/OFF Electro-hydraulic control kit with collector kit for external pilot and drain	P. 241
8ER3+KE4S0	YLWSN83404	4S: ON/OFF Electro-hydraulic control kit with collector kit for external pilot and drain	P. 241
8ER3+KE5S0	YLWSN83405	5S: ON/OFF Electro-hydraulic control kit with collector kit for external pilot and drain	P. 241
8ER3+KE6S0	YLWSN83406	6S: ON/OFF Electro-hydraulic control kit with collector kit for external pilot and drain	P. 241
8ER3+KE7S0	YLWSN83407	7S: ON/OFF Electro-hydraulic control kit with collector kit for external pilot and drain	P. 241
8ER3+KE8S0	YLWSN83408	8S: ON/OFF Electro-hydraulic control kit with collector kit for external pilot and drain	P. 241
8ER3+KE9S0	YLWSN83409	9S: ON/OFF Electro-hydraulic control kit with collector kit for external pilot and drain	P. 241
8ER3+KE10S0	YLWSN83410	10S: ON/OFF Electro-hydraulic control kit with collector kit for external pilot and drain	P. 241
8ER3+KE11S0	YLWSN83411	11S: ON/OFF Electro-hydraulic control kit with collector kit for external pilot and drain	P. 241
8ER3+KE12S0	YLWSN83412	12S: ON/OFF Electro-hydraulic control kit with collector kit for external pilot and drain	P. 241

3: A Side (Optional)			
TYPE	CODE	DESCRIPTION	PAGE
L	YLWSN84000	Standard lever	P. 234
SLP	YLWSN84001	Without lever, with dust proof plate	P. 234
LCB	YLWSN84002	Joystick lever for 2 section operation	P. 235
TQ	YLWSN84003	Flexible cable connection	P. 236
FCR-2		Joystick for remote control	P. 237

4: Port Relief (Optional)			
TYPE	CODE	DESCRIPTION	PAGE
P (G2-63)	YLWSN65002	Anti-shock valve, range 63 to 125 bar / form 900 to 1800 psi standard setting 63 bar / 900 psi	P. 244
P (G3-100)	YLWSN65003	Anti-shock valve, range 100 to 250 bar / form 1450 to 3600 psi standard setting 100bar / 1450 psi	P. 244
P (G4-200)	YLWSN65004	Anti-shock valve, range 200 to 315 bar / form 2900 to 4600 psi standard setting 200 bar / 2900 psi	P. 244
XU (G2-63)	YLWSN85012	Anti-shock valve and Anti-cavitation valve, range 63 to 125 bar / form 900 to 1800 psi standard setting 63 bar / 900 psi	P. 244
XU (G3-100)	YLWSN85013	Anti-shock valve and Anti-cavitation valve, range 100 to 250 bar / form 1450 to 3600 psi standard setting 100 bar / 1450 psi	P. 244
XU (G4-200)	YLWSN85014	Anti-shock valve and Anti-cavitation valve, range 200 to 315 bar / form 2900 to 4600 psi standard setting 200 bar / 2900 psi	P. 244
C	YLWSN65100	Anti - cavitation	P. 244

# SN-8 Dimensions

## Sectional Directional Control Valves



8-NS

### Standard threads

Ports	Inlet P	A and B	Outlet T and power beyond C
BSP	G1	G1	G1-1/4
UN-UNF	1-5/8-12 (SAE 20)	1-5/16-12 (SAE 16)	1-5/8-12 (SAE 20)

• G-1/2 : G4    G-3/8 : G3    G-3/4 : G6    G-1 : G8    G-1 1/4 : G10  
 • SAE 8 : E8    SAE 10 : E10    SAE 12 : E12    SAE 16 : E16    SAE 20 : E20

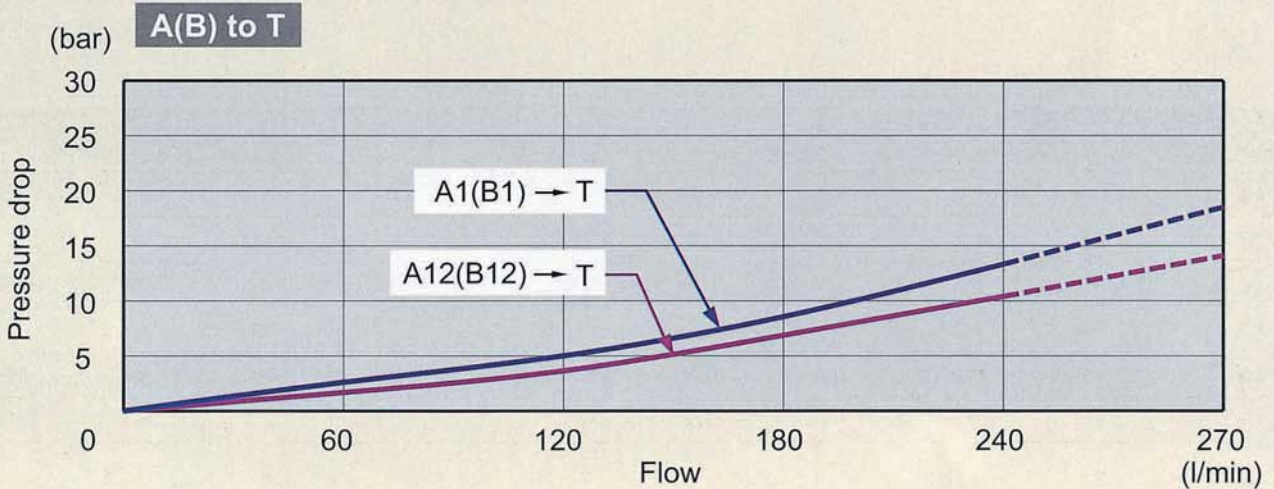
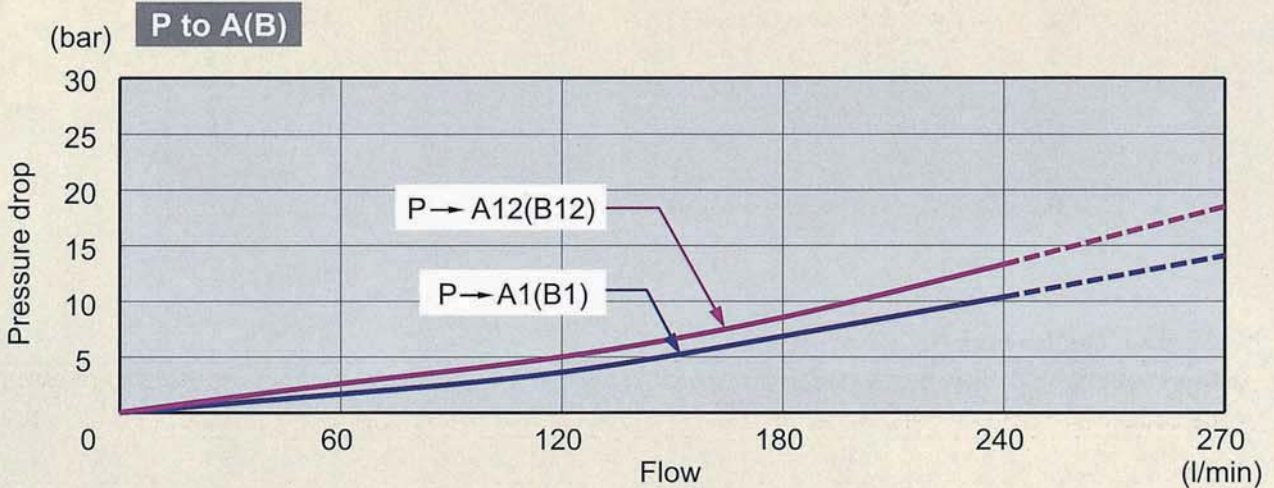
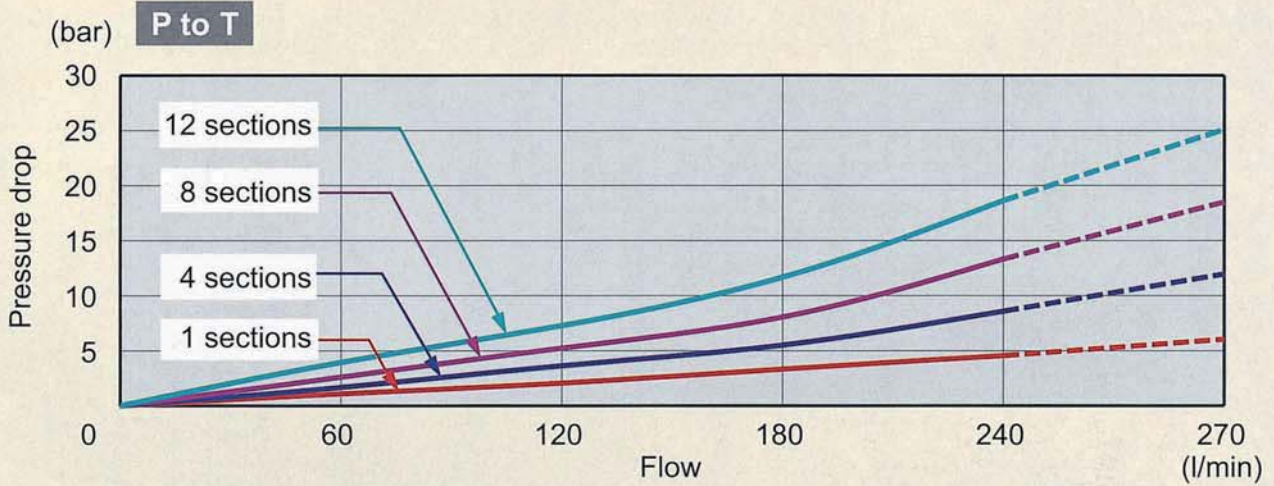
### Standard dimensions

TYPE	X		Y		TYPE	X		Y	
	mm	in	mm	in		mm	in	mm	in
SN8 /1S	235	9.25	162	6.38	SN8 /7S	607	23.90	534	21.02
SN8 /2S	297	11.69	224	8.28	SN8 /8S	669	26.34	596	23.46
SN8 /3S	359	14.13	286	11.26	SN8 /9S	731	28.78	658	25.90
SN8 /4S	421	16.57	348	13.70	SN8 /10S	793	31.22	720	28.34
SN8 /5S	483	19.02	410	16.14	SN8 /11S	855	33.66	782	30.78
SN8 /6S	545	21.46	472	18.58	SN8 /12S	917	36.10	844	33.22



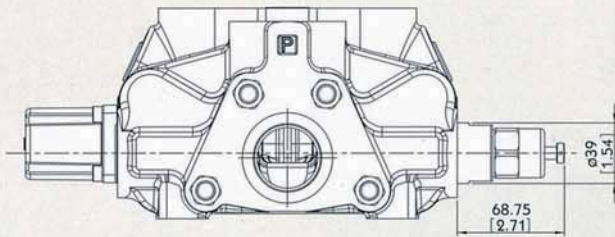
# SN-8 Performance Curve Chart Sectional Directional Control Valves

SN-8

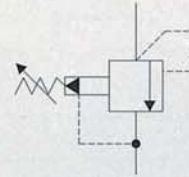


# SN-8 Inlet Relief (Optional) Sectional Directional Control Valves

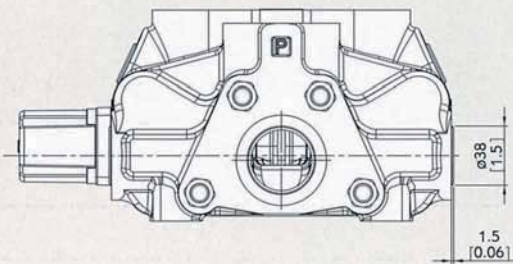
Type XHG



**Pilot operated pressure relief valve:**



Type SV



**Relief valve blanking plug:**



SN-8

# SN-8 Spool Options

## Sectional Directional Control Valves

SN-8

TYPE 1		
	<p>P → A B → T C closed</p>	
	<p>P &amp; T &amp; A &amp; B closed C open</p>	
	<p>P → B A → T C closed</p>	

TYPE 2		
	<p>P → A B → T C closed</p>	
	<p>A &amp; B → T P closed C open</p>	
	<p>P → B A → T C closed</p>	

# SN-8 Spool Options

## Sectional Directional Control Valves

SN-8

TYPE 3		
	<p>P → A C &amp; T closed</p>	<p>"B" port plugged</p>
	<p>P &amp; A &amp; T closed C open</p>	<p>"B" port plugged</p>
	<p>A → T P closed C open</p>	<p>"B" port plugged</p>
TYPE 4		
	<p>B → T P closed C open</p>	<p>"A" port plugged</p>
	<p>P &amp; B &amp; T closed C open</p>	<p>"A" port plugged</p>
	<p>P → B C &amp; T closed</p>	<p>"A" port plugged</p>

# SN-8 Spool Options

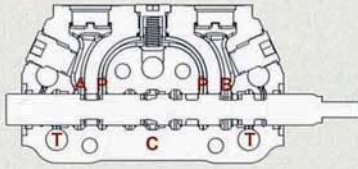
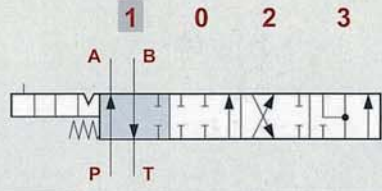
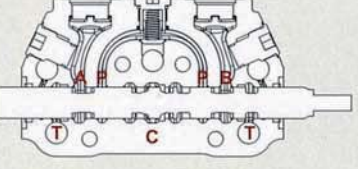
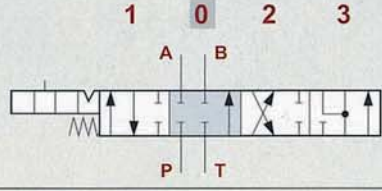
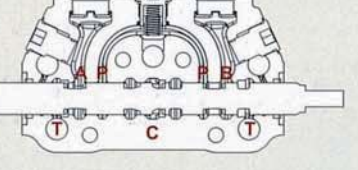
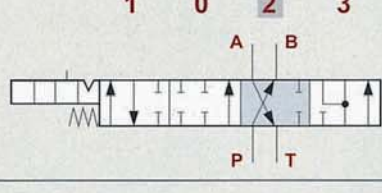
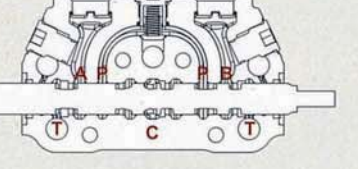
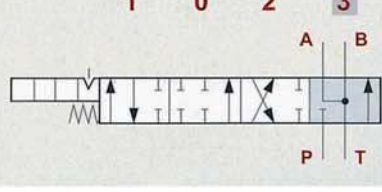
## Sectional Directional Control Valves

SN-8

TYPE 5		
	<p>P → A B → T C closed</p>	
	<p>B → T P &amp; A closed C open</p>	
	<p>P → B A → T C closed</p>	
TYPE 6		
	<p>P → A B → T C closed</p>	
	<p>A → T P &amp; B closed C open</p>	
	<p>P → B A → T C closed</p>	

# SN-8 Spool Options

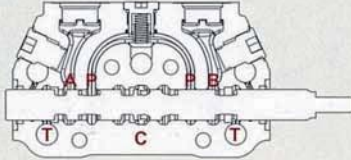
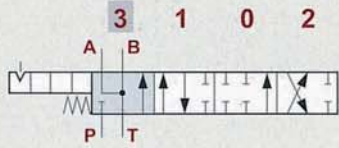
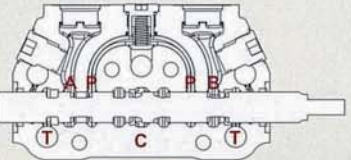
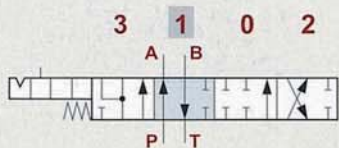
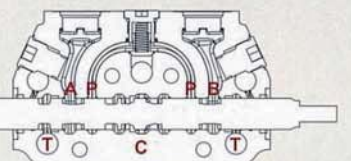
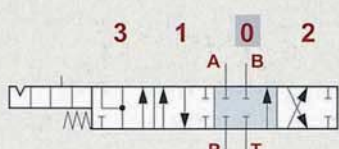
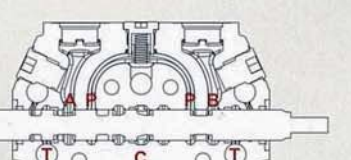
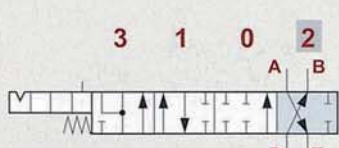
## Sectional Directional Control Valves

TYPE 5DY		NOTE: WITH SPECIAL BODY AND SPECIAL POSITIONER	
	<p>P → A</p> <p>B → T</p> <p>C closed</p>		8-NS
	<p>P &amp; T &amp; A &amp; B closed</p> <p>C open</p>		
	<p>P → B</p> <p>A → T</p> <p>C closed</p>		
	<p>A &amp; B → T</p> <p>P closed</p> <p>C open</p>		

# SN-8 Spool Options

## Sectional Directional Control Valves

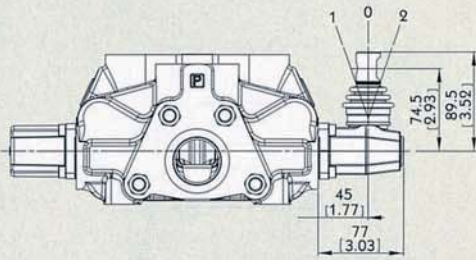
SN-8

TYPE 5PY		NOTE : WITH SPECIAL BODY AND SPECIAL POSITIONER.	
	<p>A &amp; B → T</p> <p>P closed</p> <p>C open</p>		
	<p>P → A</p> <p>B → T</p> <p>C closed</p>		
	<p>P &amp; T &amp; A &amp; B closed</p> <p>C open</p>		
	<p>P → B</p> <p>A → T</p> <p>C closed</p>		

# SN-8 A Side

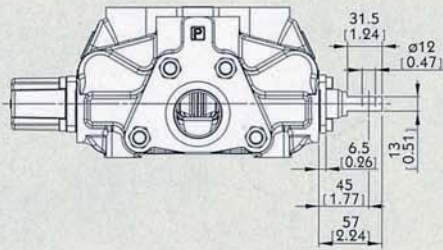
## Sectional Directional Control Valves

### Type L



**Type L:**  
STANDART LEVER KIT

### Type SLP



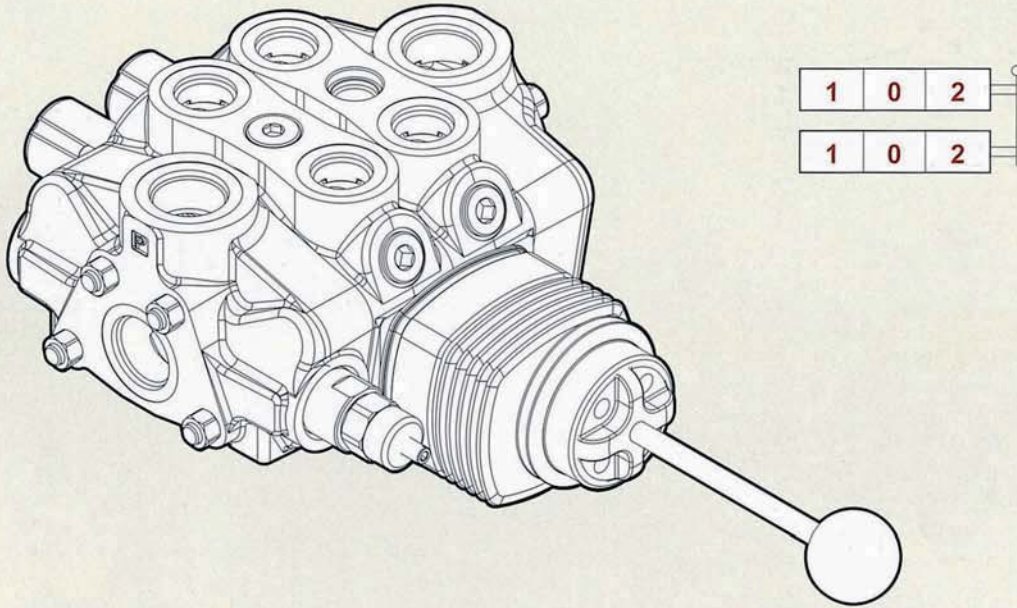
**Type SLP:**  
WITH DUST-PROOF PLATE

SN-8

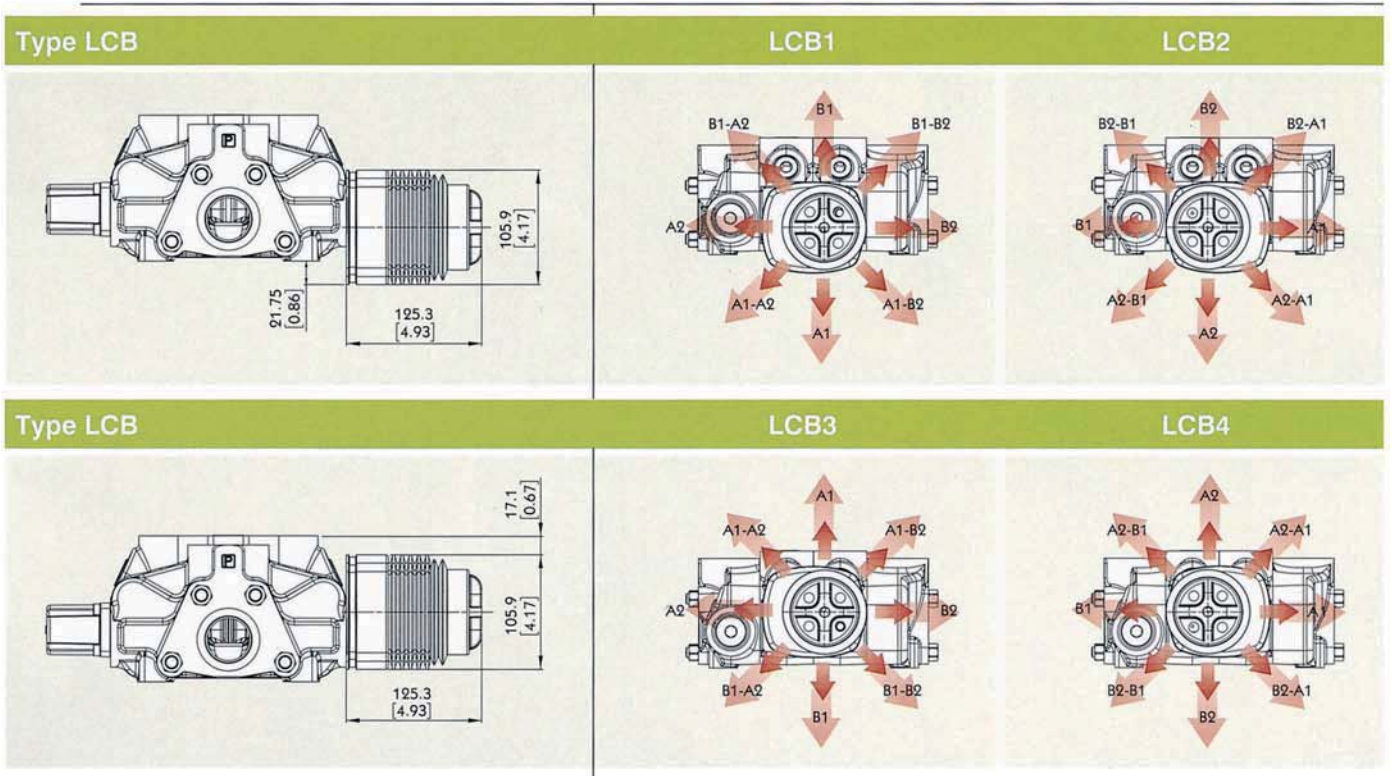


# SN-8 A Side Sectional Directional Control Valves

## LCB: Joystick control



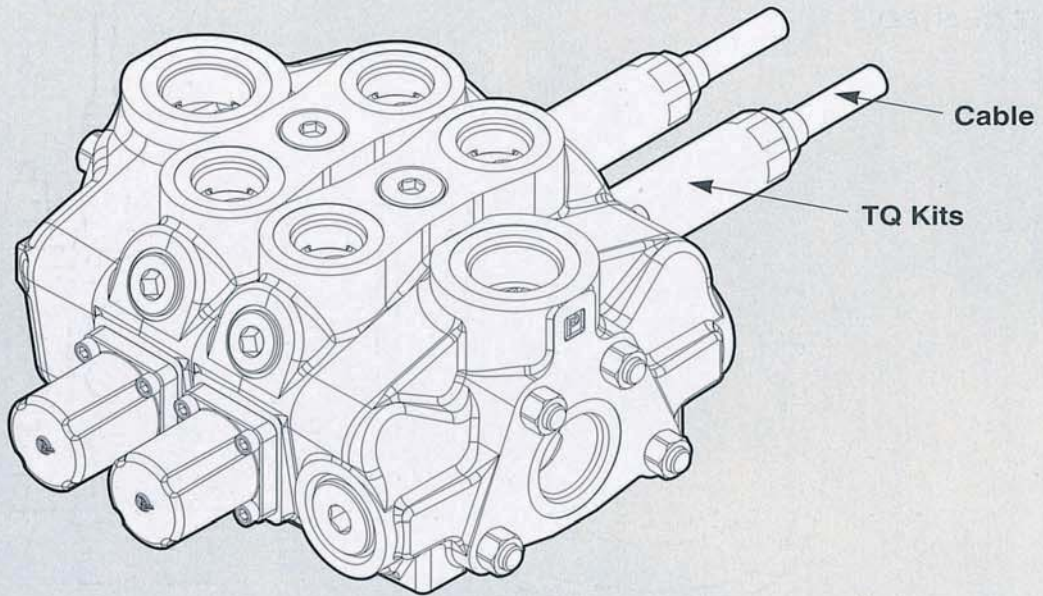
SN-8



# SN-8 A Side

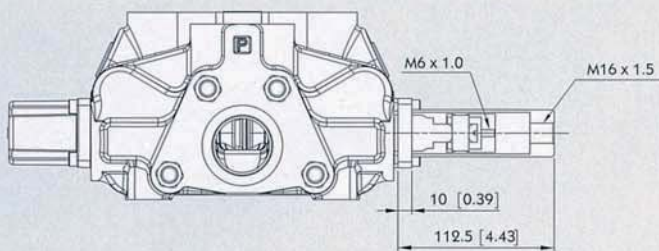
## Sectional Directional Control Valves

Note : CONNECTION KIT NOT INCLUDE CABLE



SN-8

### Type TQ



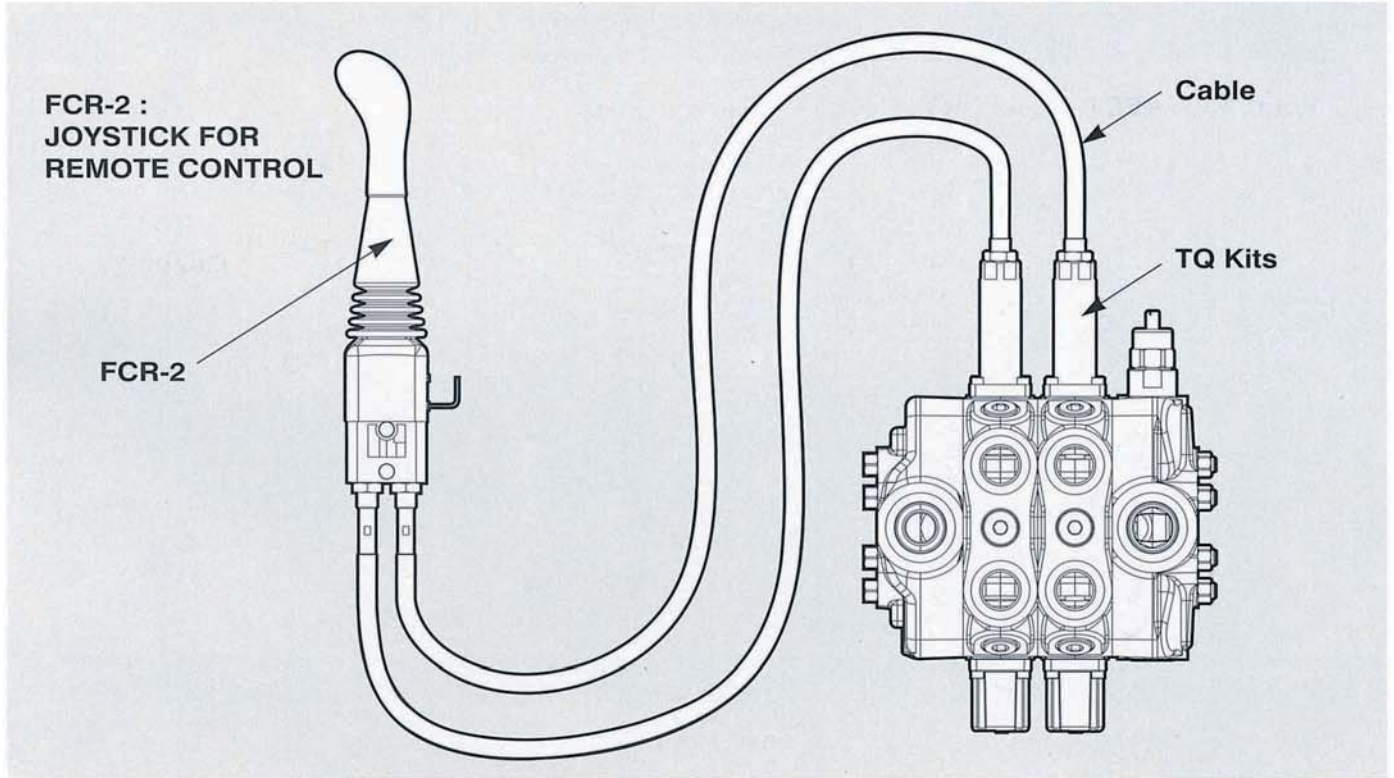
TQ Kit:



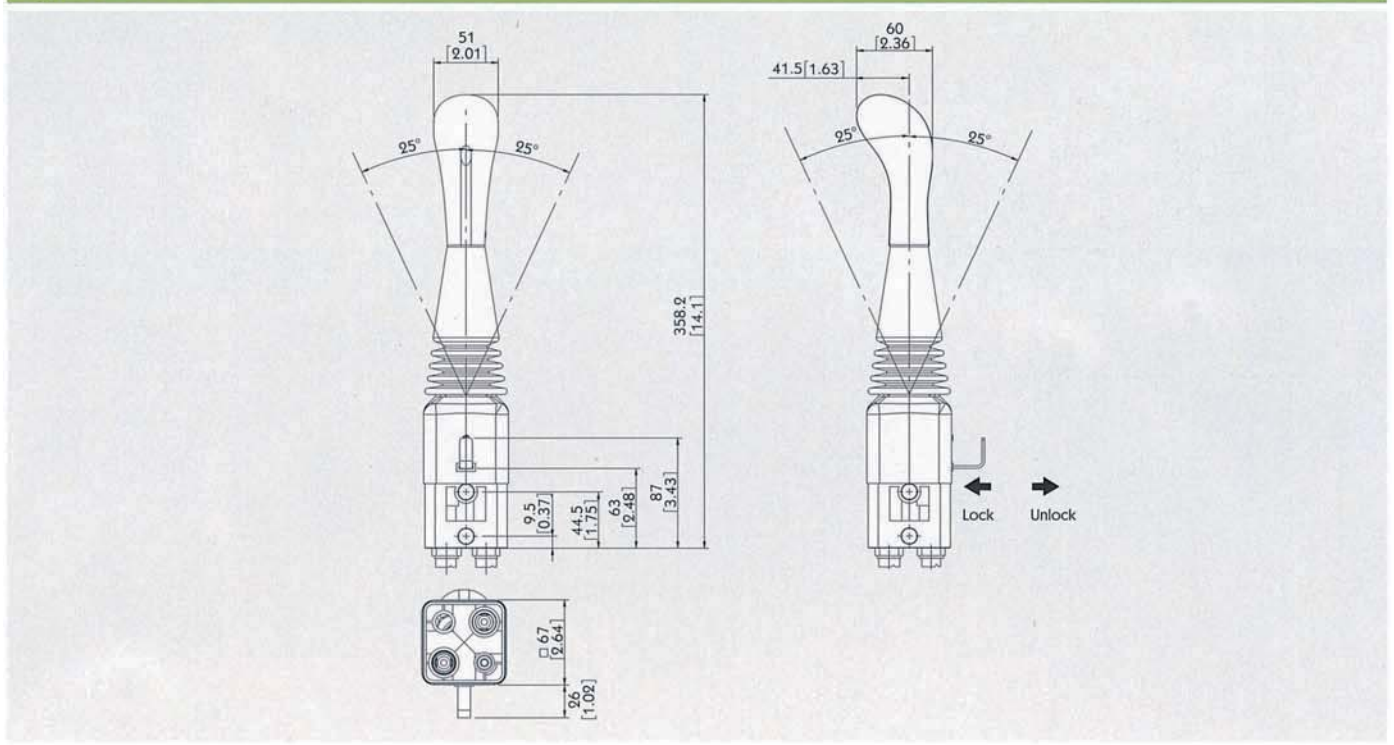
# SN-8 A Side

## Sectional Directional Control Valves

SN-8



### Type FCR-2

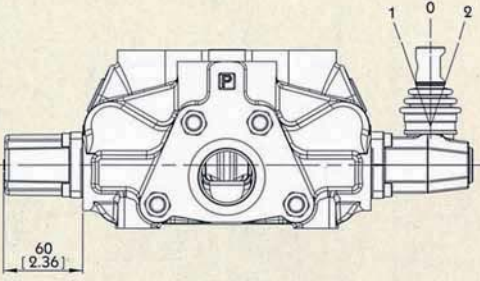





# SN-8 B Side

## Sectional Directional Control Valves

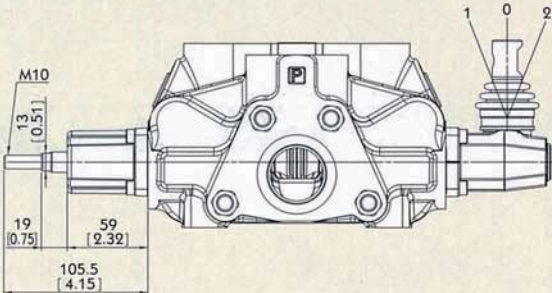
SN-8


**Type 6**



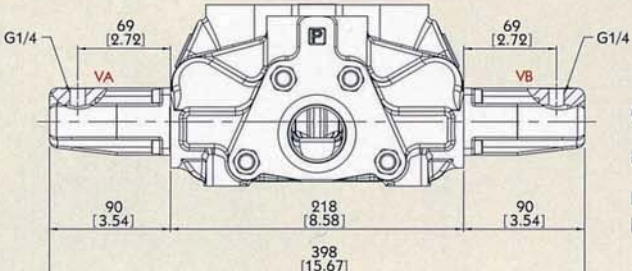
	<p><b>6-1 Kit:</b> DETENT IN POS. 1-0-2, WITHOUT SPRING CENTERED</p>
	<p><b>6-2 Kit:</b> 2 POSITIONS, DETENT IN POS. 0-2, WITHOUT SPRING CENTERED</p>
	<p><b>6-3 Kit:</b> 2 POSITIONS, DETENT IN POS. 1-0, WITHOUT SPRING CENTERED</p>


**Type 8D2**



	<p><b>8D2 Kit:</b> WITH SPRING RETURN TO NEUTRAL POSITION AND PIN WITH M8 MALE THREAD FOR DUAL CONTROL</p>
--	--

**Type 8IM**



<p><b>Operating features :</b> PILOT PRESSURE : MAX. 50 BAR INTERNAL LEAKAGE A(B) -&gt; T : MAX. 6 CM<sup>3</sup>/MIN (100 BAR / 40 °C)</p>	
---	---

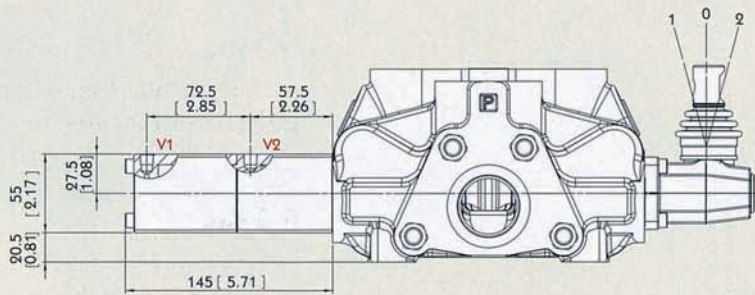
# SN-8 B Side

## Sectional Directional Control Valves

SN-8

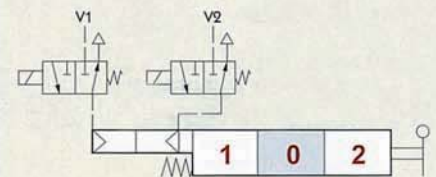
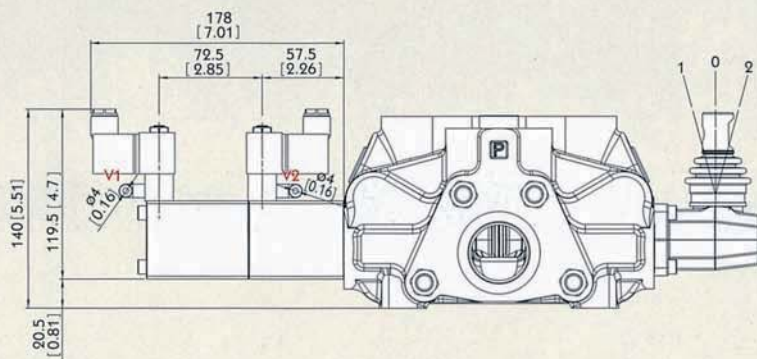
### Type 8P

V1 & V2 : NPT 1/8 - 27



**Pilot pressure :** FROM 7 TO 10 BAR / 101 TO 145 PSI

### Type 8EP3



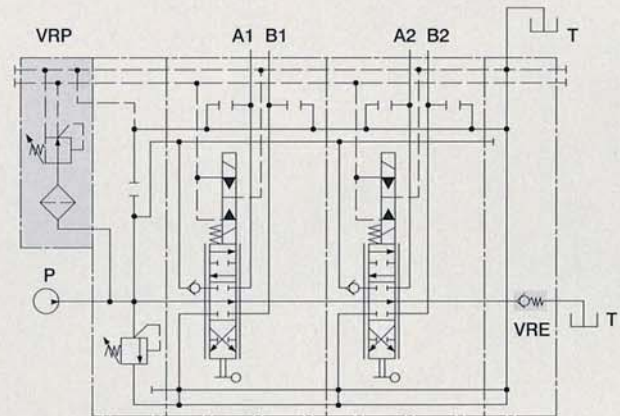
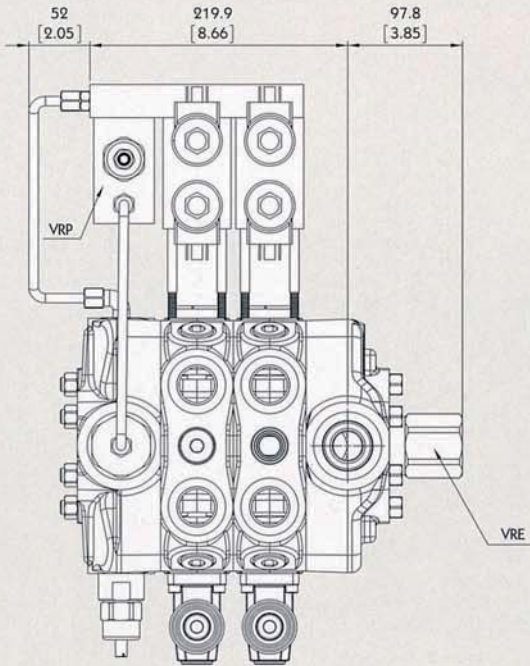
**Solenoid operating features :**

NOMINAL VOLTAGE: 24VDC  
 NOMINAL VOLTAGE TOLERANCE: ±10%  
 POWER RATING: 5W

# SN-8 B Side

## Sectional Directional Control Valves

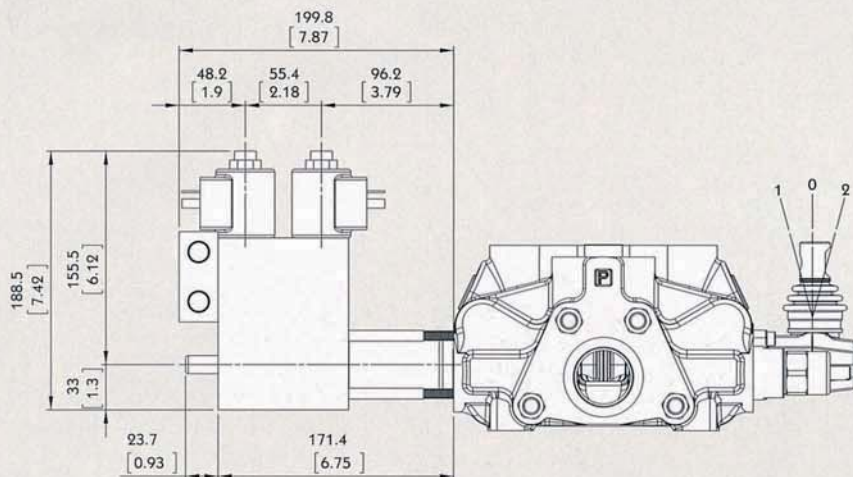
### Type 8ED3



#### VRP valve operating features :

OUTLET PRESSURE: 25 BAR / 363 PSI  
 MAX. FLOW: 8 L/MIN / 2.1 US GPM  
 FILTERING: 80 μ

SN-8



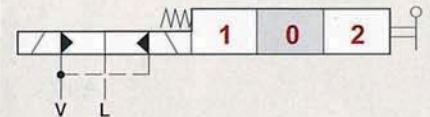
#### Operating features :

PILOT PRESSURE: • MIN. 10 BAR / 145 PSI  
 • MAX. 50 BAR / 725 PSI

MAX. BACKPRESSURE ON DRAIN L: 25 BAR / 360PSI

#### Solenoid operating features :

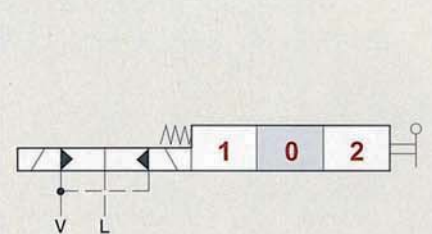
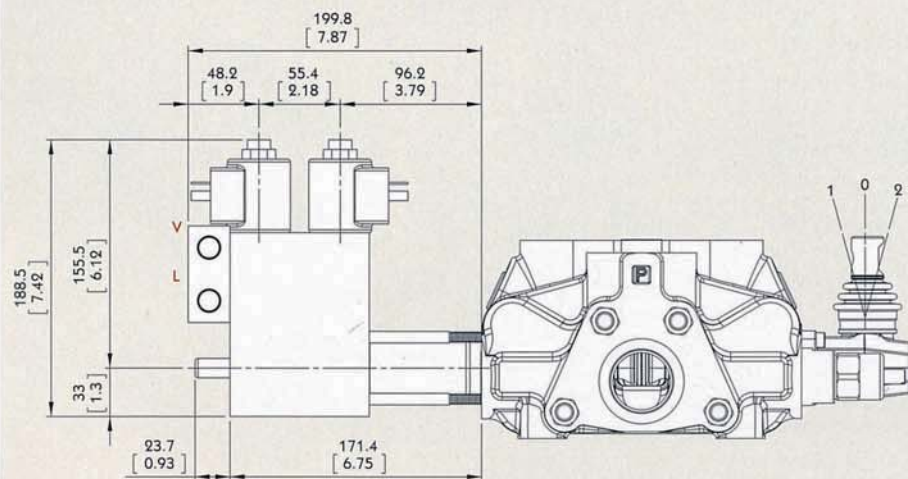
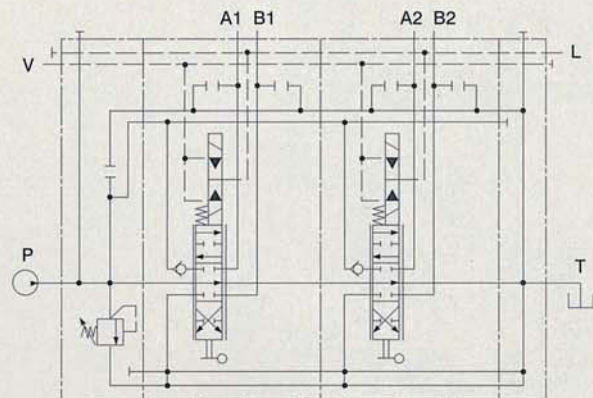
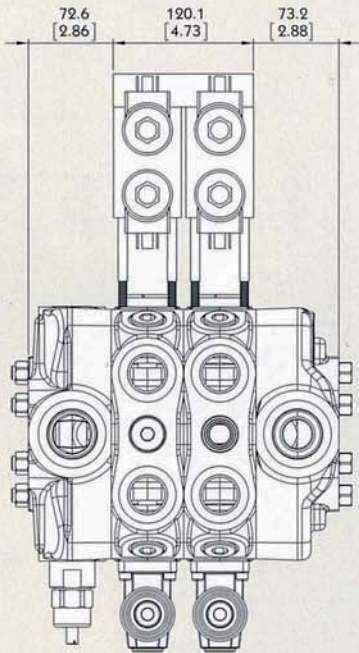
NOMINAL VOLTAGE: 12VDC / 24 VDC  
 POWER RATING: 21 W  
 DUTY CYCLE: 100 %



# SN-8 B Side Sectional Directional Control Valves

SN-8

## Type 8ER3



### Operating features :

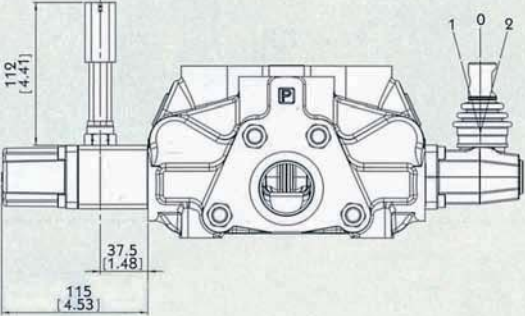
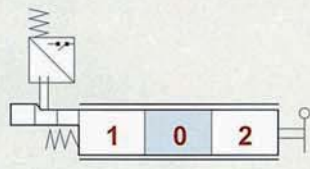
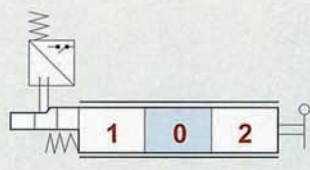
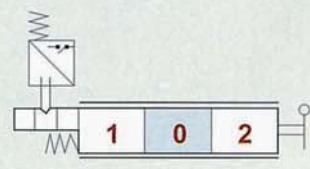
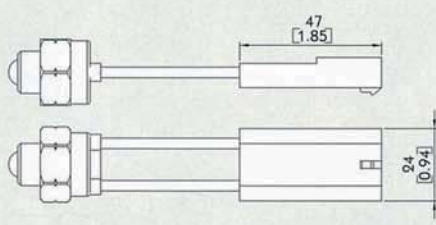
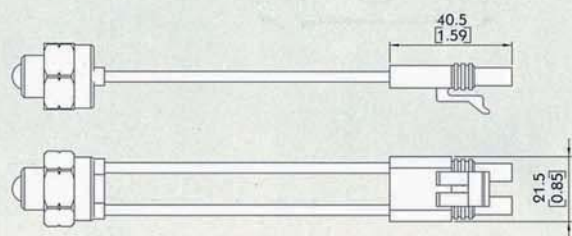
PILOT PRESSURE: • MIN. 10 BAR / 145 PSI  
 • MAX. 50 BAR / 725 PSI  
 MAX. BACKPRESSURE ON DRAIN L: 25 BAR / 360PSI

### Solenoid operating features :

NOMINAL VOLTAGE: 12VDC / 24 VDC  
 POWER RATING: 21 W  
 DUTY CYCLE: 100 %

# SN-8 B Side

## Sectional Directional Control Valves

Type 8MG	
 <p><b>MICROSWITCH</b>  <b>Operating features :</b></p> <p>MECHANICAL LITE: • 5X10<sup>6</sup> OPERATIONS</p> <p>ELECTRICAL LITE (RESISTIVE LOAD):</p> <ul style="list-style-type: none"> <li>• 10<sup>6</sup> OPERATIONS - 7A / 13.5 VDC</li> <li>• 5x10<sup>6</sup> OPERATIONS - 10A / 12 VDC</li> <li>• 5x10<sup>6</sup> OPERATIONS - 3A / 28 VDC</li> </ul>	 <p><b>8MG1 Kit:</b>  MICROSWITCH WITH MALE/FEMALE CONNECTOR, OPERATED IN POS. 1</p>
	 <p><b>8MG2 Kit:</b>  MICROSWITCH WITH MALE/FEMALE CONNECTOR, OPERATED IN POS. 2</p>
	 <p><b>8MG3 Kit:</b>  MICROSWITCH WITH MALE/FEMALE CONNECTOR, OPERATED IN POS. 1 AND POS. 2</p>
	<p><b>With NO contact (female connector with male end)</b></p> 
	<p><b>With NC contact (male connector with female end)</b></p> 

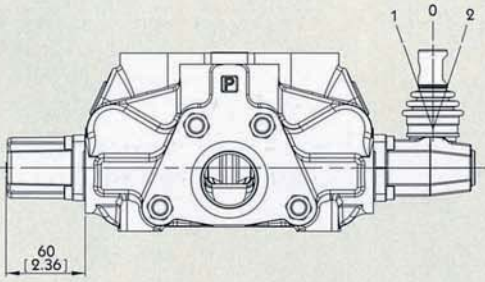



8-NS

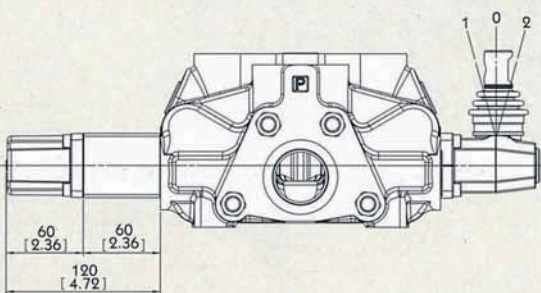





# SN-8 B Side

## Sectional Directional Control Valves

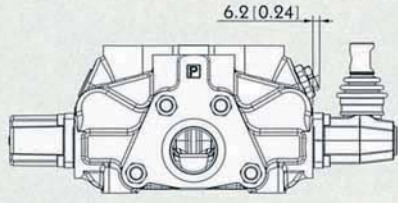
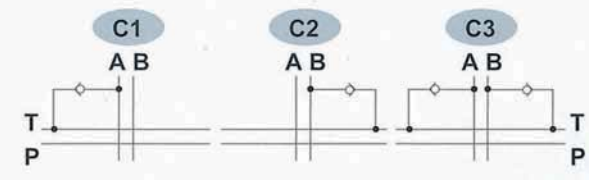
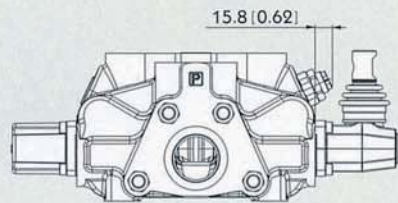
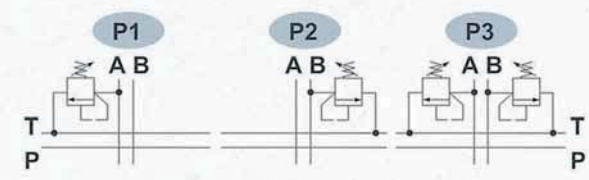
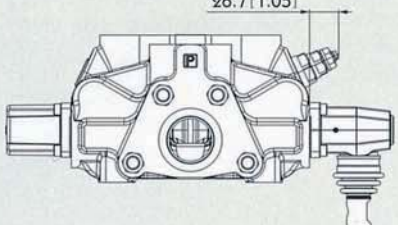
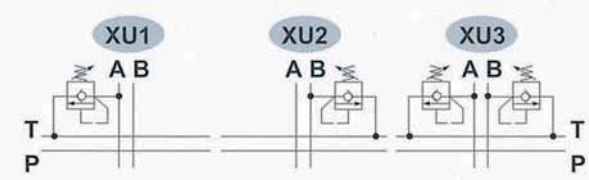
SN-8

Type 8		
		<p><b>8 Kit:</b> SPRING RETURN TO NEUTRAL POSITION</p>
		<p><b>8-1 Kit:</b> SPRING RETURN TO NEUTRAL POSITION. (2 POSITIONS)</p>
		<p><b>8-2 Kit:</b> SPRING RETURN TO NEUTRAL POSITION. (2 POSITIONS)</p>

Type 9		
		<p><b>9-1 Kit:</b> DETENT IN POS. 1, 2 WITH SPRING CENTERED</p>
		<p><b>9-2 Kit:</b> DETENT IN POS. 2 WITH SPRING CENTERED</p>
		<p><b>9-3 Kit:</b> DETENT IN POS. 1 WITH SPRING CENTERED</p>

# SN-8 Port Relief

## Sectional Directional Control Valves

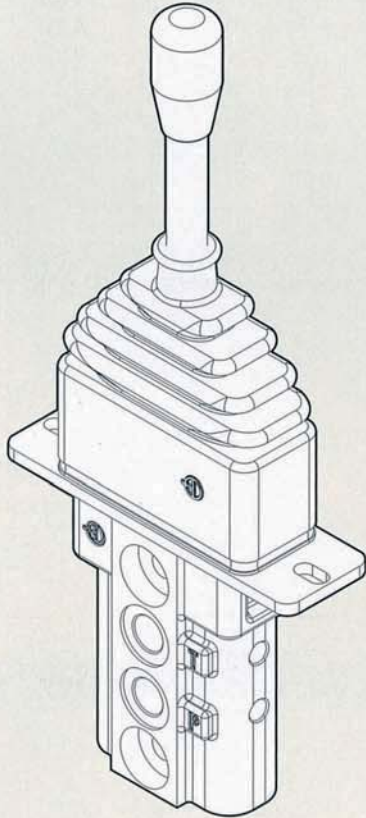
TYPE C	
	
TYPE P	
	
TYPE XU	
	

SN-8

# SN-8 Accessories

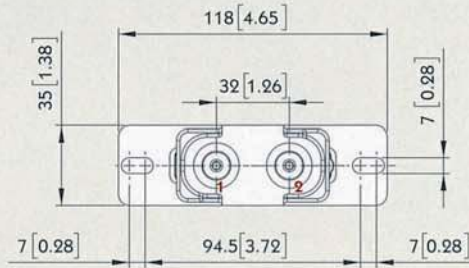
## Sectional Directional Control Valves

Type JHP-1

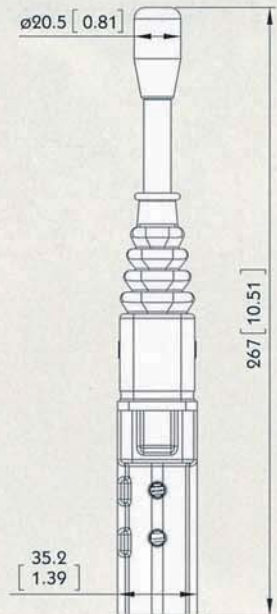
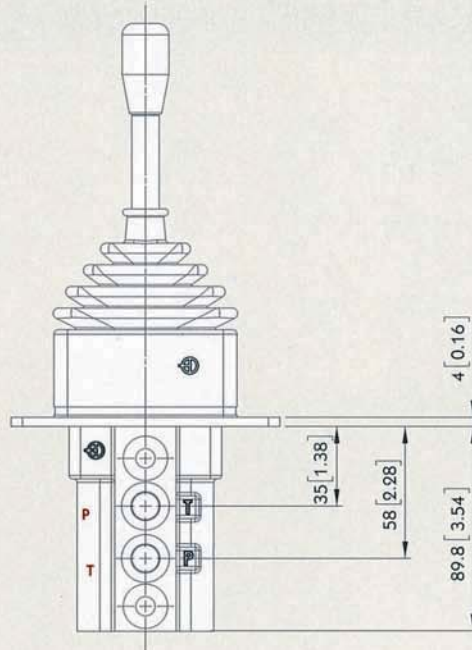
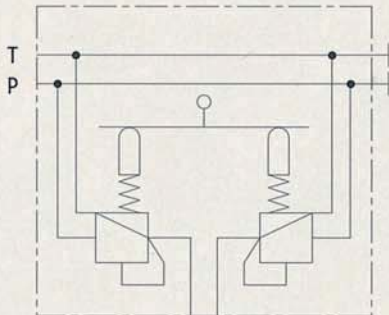


### Specifications:

- This data sheet shows technical spec. with mineral oil of 46 mm<sup>2</sup>/s (cSt) viscosity at 40 °C (104 °F)
- Flow : 5 ~ 20 LPM
- Feeding pressure : 30 ~ 100 bar
- Max. backpressure : 3 bar
- Internal leakage at 30 bar : 10 ~ 18 cm<sup>3</sup>/min
- Fluid : mineral oil
- Fluid temperature : - 10 ~ 80 °C
- Ambient temperature : - 40 ~ 60 °C



### HYDRAULIC SCHEME:



SN-8

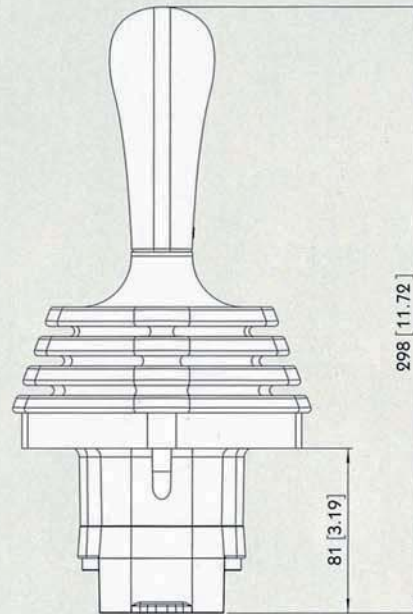
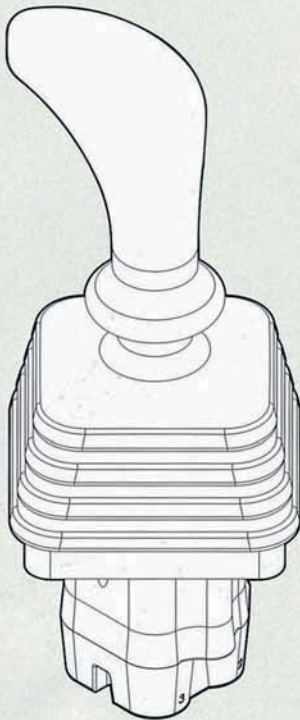
# SN-8 Accessories

## Sectional Directional Control Valves

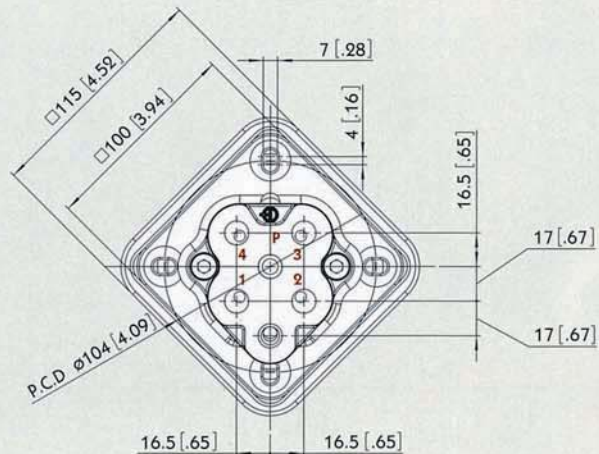
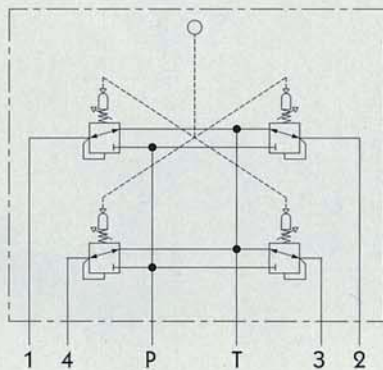
Type JHP-2

### Specifications:

- This data sheet shows technical spec. with mineral oil of 46 mm<sup>2</sup>/s (cSt) viscosity at 40°C (104°F)
- Flow : 5 ~ 20 LPM
- Feeding pressure : 30 ~ 100 bar
- Max. backpressure : 3 bar
- Internal leakage at 30 bar : 10 ~ 18 cm<sup>3</sup>/min
- Fluid : mineral oil
- Fluid temperature : - 10 ~ 80°C
- Ambient temperature : - 40 ~ 60°C



### HYDRAULIC SCHEME:



SN-8

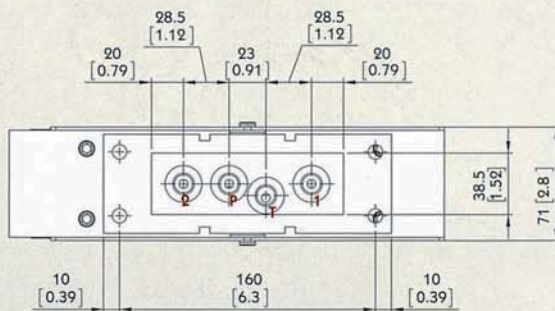
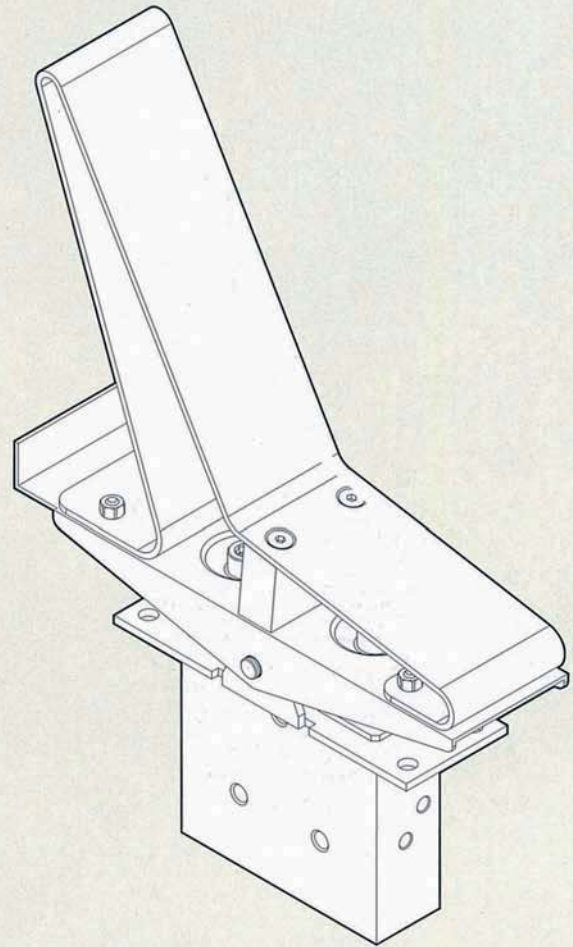
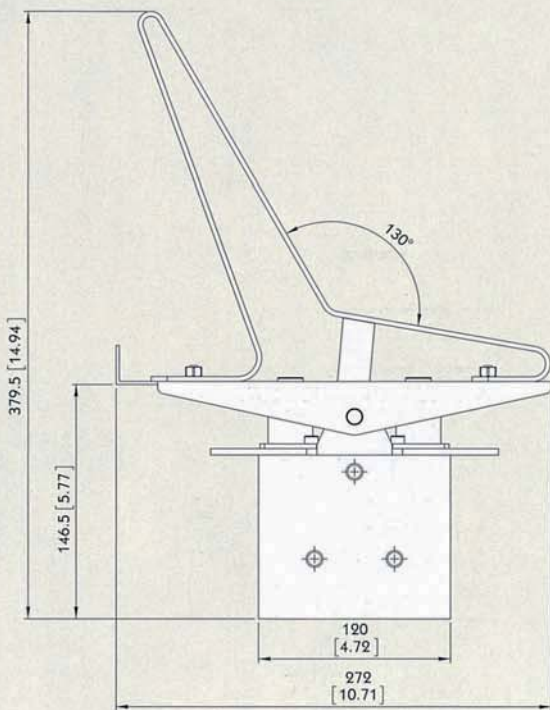
# SN-8 Accessories

## Sectional Directional Control Valves

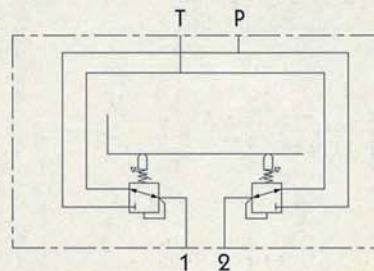
Type PHP-1

**Specifications:**

- This data sheet shows technical spec. with mineral oil of 46 mm<sup>2</sup>/s (cSt) viscosity at 40°C (104°F)
- Flow : 5 ~ 20 LPM
- Feeding pressure : 30 ~ 100 bar
- Max. backpressure : 3 bar
- Internal leakage at 30 bar : 10 ~ 18 cm<sup>3</sup>/min
- Fluid : mineral oil
- Fluid temperature : - 10 ~ 80°C
- Ambient temperature : - 40 ~ 60°C



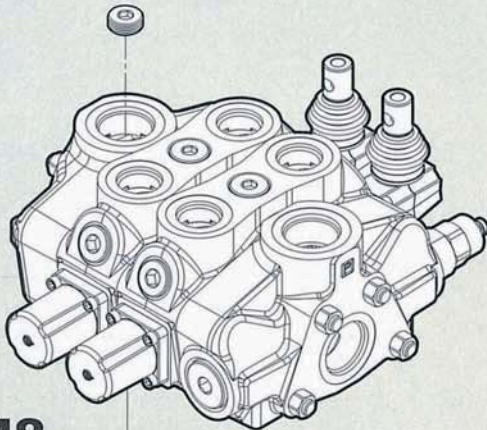
**HYDRAULIC SCHEME:**



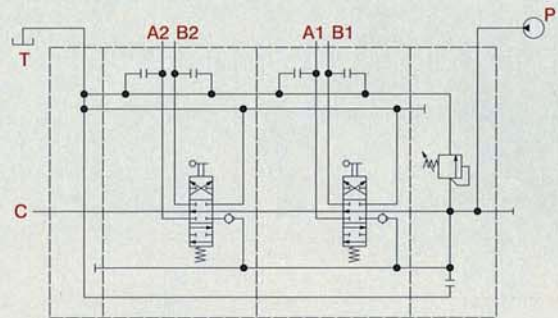
# SN-8 Outlet

## Sectional Directional Control Valves

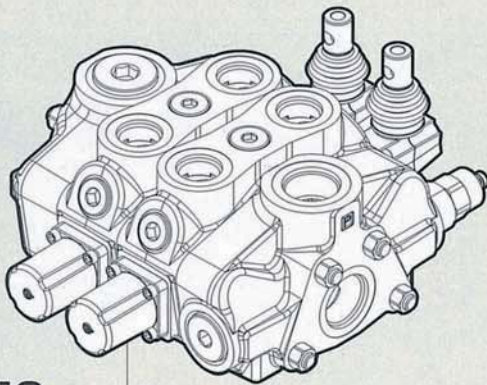
Power Beyond Conversion plug  
(Closed center plug)



**M8**



SN-8



**M3**

