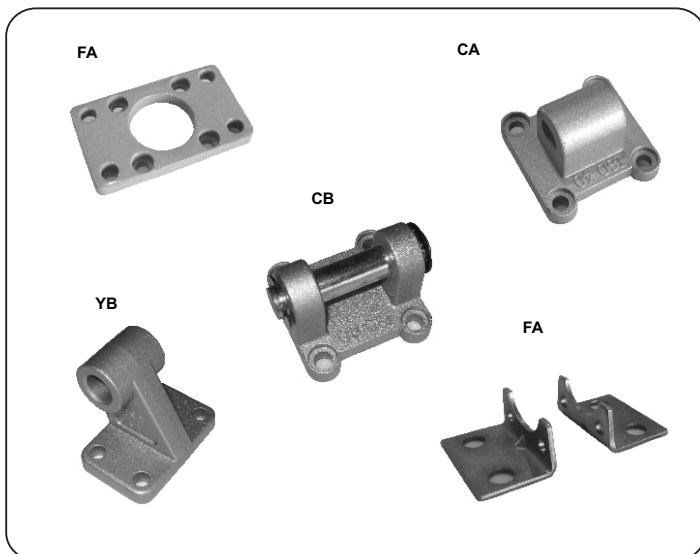


ISO-15552 SQ Series Mounting & Piston Rod Accessories

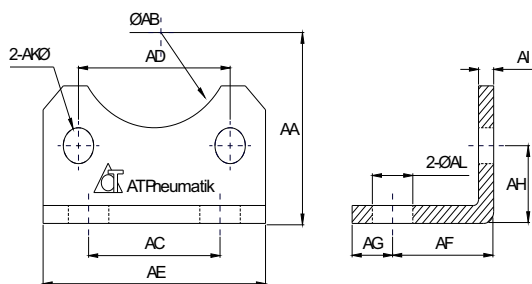


Ordering Code

- SQ** - **LB - 32**
- SQ** - ISO 15552 Profile Cylinder
- LB** - Foot Mounting
- FA** - Front / Rear Mounting
- CA** - Male Clevis Mounting
- CB** - Female Clevis Mounting
- YB** - Y-Male Clevis Mounting
- 32** - Cylinder Bore Diameter (mm)

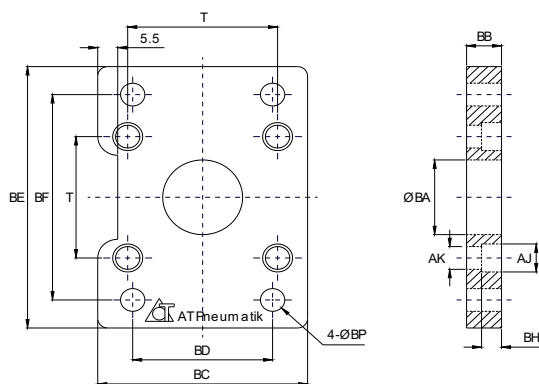
SQ Pneumatic Cylinder mountings and Piston rod adaptors are made of Low Carbon Steel materials.

SQ-LB Foot Mounting



SQ - LB Dimension							
Bore Diameter	32	40	50	63	80	100	125
AA	32	36	45	50	63	71	90
AB (min)	30	35	40	45	45	55	60
AC	32	38	46	56	72	89	90
AD	32.5	38	46.5	56.5	72	89	110
AE	45	52	65	76	94	112	140
AF	24	28	32	31.5	41.5	41.5	45
AG	9	11	11	11	14	16	18
AH	15.8	17	21.8	21.8	27	26.5	35
AI	3.2	3.2	3.2	3.2	4	4	8
AJ	142	161	170	185	210	220	250
AK	6.5	6.5	8.5	8.5	10.5	10.5	12.5
AL	7	9	9	9	12	14	16

SQ-FA Flange Mounting

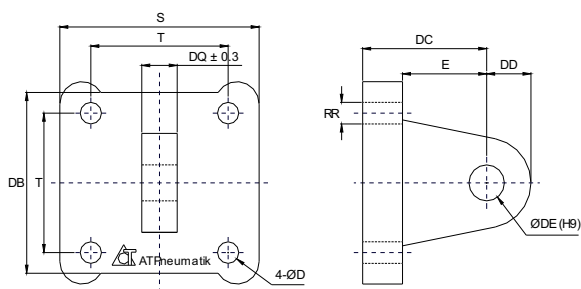


SQ - FA Dimension							
Bore Diameter	32	40	50	63	80	100	125
BA	30.3	35.3	40.3	45.3	45.3	55.3	60.3
BB	10	10	12	12	16	16	20
BC	45	52	65	76	94	112	140
BD	32	36	45	50	63	75	90
BE	80	90	110	120	150	175	224
BF	64	72	90	100	126	150	180
BH	6.5	6.5	8.5	8.5	10.5	10.5	15
AJ	10.5	10.5	13.5	13.5	16.5	16.5	19
AK	6.5	6.5	8.5	8.5	10.5	10.5	12.5
BP	7	9	9	9	12	14	16
T	32.5	38	46.5	56.5	72	89	110

Dimensions are in mm

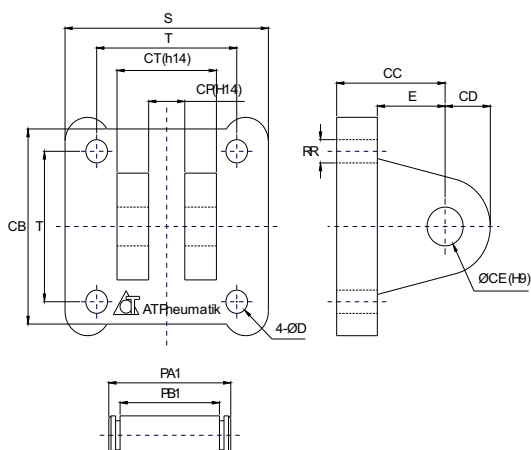
ISO-15552 Mounting & Piston Rod Accessories

SQ - CA Male Clevis Mounting



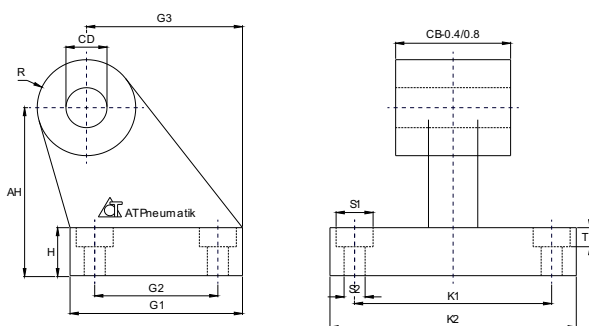
SQ - CA Dimension							
Bore Diameter	32	40	50	63	80	100	125
S	45	52	65	76	94	112	140
T	32.5	38	46.2	56.5	72	89	110
RR	6.5	6.5	9	9.5	11	11.5	12
DB	34	41	54	65	83	101	123
DC	22	25	27	32	36	41	50
DD	10	11	13	16	16	20	25
DE	10	12	12	16	16	20	25
DQ	26	28	32	40	50	60	70
D	6.5	6.5	8.5	8.5	10.5	10.5	12.5
E	14	17	17	22	24	25	30

SQ - CB Female Clevis Mounting



SQ - CB Dimension							
Bore Diameter	32	40	50	63	80	100	125
S	45	52	65	76	94	112	140
T	32.5	38	46.5	56.5	72	89	110
D	6.5	6.5	8.5	8.5	10.5	10.5	12.5
E	14	17	17	22	24	25	30
RR	6.5	6.5	9	9.5	11	11.5	12
CB	34	41	54	65	83	101	123
CC	22	25	27	32	36	41	50
CD	10	11	13	16	46	20	25
CE	10	12	12	16	46	20	25
CP	26	28	32	40	50	60	70
CT	45	52	60	70	90	110	120
PA1	53	60	68	78	100	120	130
PB1	46.5	53.5	61.5	71.5	91.5	111.5	121.5

SQ - YB Y-Male Clevis Mounting



SQ - YB Dimension							
Bore Diameter	32	40	50	63	80	100	125
AH	32	36	45	50	63	71	90
H	8	10	12	12	14	15	20
CD	10	12	12	16	16	20	25
G1	31	35	45	50	60	70	90
G2	18	22	30	35	40	50	60
G3	21	24	33	37	47	55	70
CB	26	28	32	40	50	60	70
K1	38	41	50	52	66	76	94
K2	51	54	65	67	86	96	124
S1	11	11	14	14	17	17	20
S2	6.6	6.6	9	9	11	11	14
T	1.6	1.6	1.6	1.6	2.5	2.5	3.2
R	10	11	13	15	15	19	22.5

Dimensions are in mm